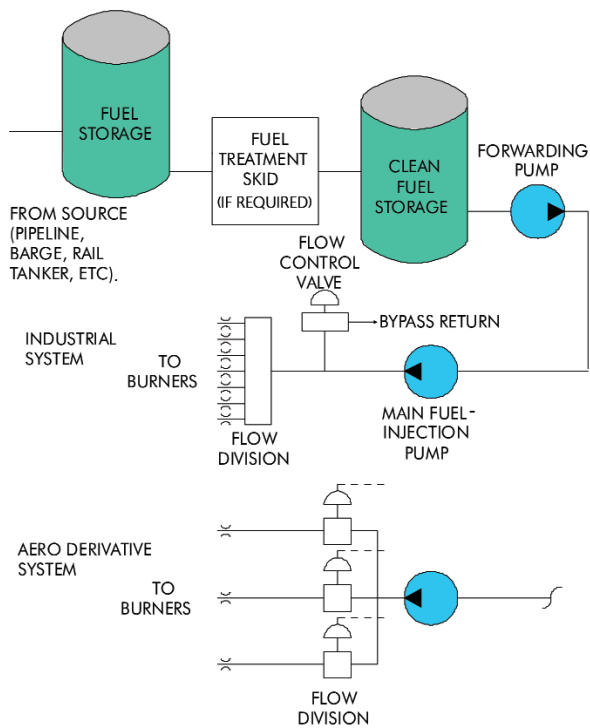




*Combustion Gas Turbine
Fuel Pumps*

The modern combustion gas turbine is one of the most reliable machines in use and a workhorse of the electric power generation industry. It can be on-site and running in a relatively short period, providing quick additional power capability when needed. The fuel system is a key component of a combustion gas turbine power plant or system (Figure 1).

Figure 1 Liquid Fuel System Schematic



The most common fuels for these machines are natural gas and distillate fuel oil. Many industrial machines are delivered suitable to burn either gaseous or liquid fuel. Thus, a liquid-fuel system is frequently a part of the installation. Even if natural gas is the primary fuel, liquid fuel as a backup is very common, to provide for interruptions in gas supplies. Some excess fuel products from refineries are relatively inexpensive. Naphtha is currently a very popular gas turbine fuel in India, due to government regulation. Typical rotary positive displacement main fuel pump performance is illustrated in Figure 2. As can be seen, pump efficiency is quite good. Flow performance is also fairly flat over a wide pressure range.

FUELS

Common liquid fuels for combustion gas turbines include:

- Naphtha natural gas liquids
- Methanol various jet fuels
- Kerosene natural gasoline
- Crude oil distillate (no. 2 Fuel)
- Gas oil residual (bunker) fuel oil

Many of these fuels require special treatment and/or handling, both to be safe to use and to minimize excessive erosion or corrosion to the hot-gas parts of the machine. For example, naphtha is an extremely volatile liquid, and some purchasers of pumps for this fuel specify a barrier system for the pump shaft seals.

Figure 2 Liquid fuel system schematic

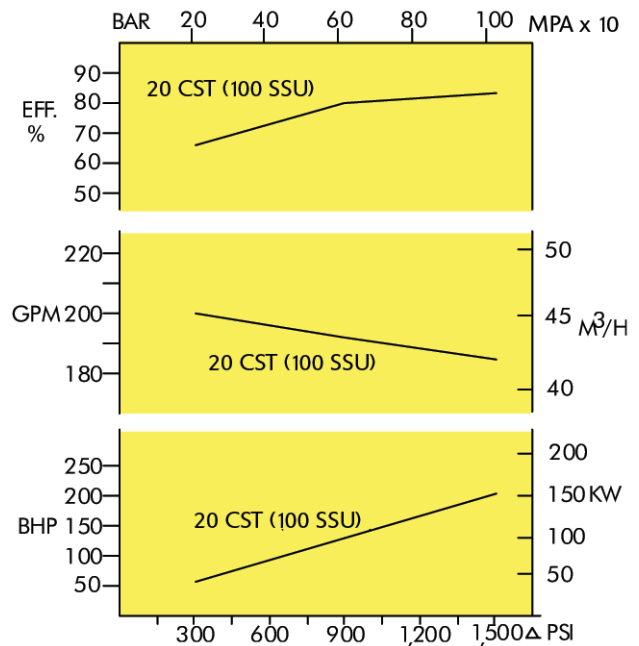
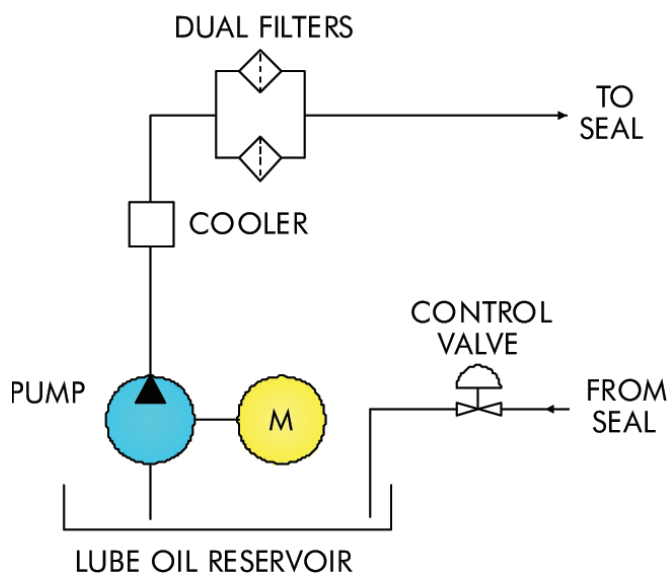


Figure 3 shows a twin-screw naphtha fuel injection pump that includes a lube oil barrier system, to ensure that any shaft-seal leakage is comprised of lube oil into the fuel. Such leakage can be readily detected, so that an orderly shutdown can be initiated to investigate a possible seal leak. Figure 4 is a simplified schematic of the barrier system. The instrumentation is not shown for clarity.

Figure 3 Twin-screw Naphtha Main Gas Turbine Fuel Pump



Figure 4 Simplified Fuel Pump Seal Barrier System



FUEL TREATMENT

Some crude oils and virtually all residual-fuel oils will require heating, both to reduce viscosity for efficient handling and to ensure that a maximum viscosity, usually less than 20 centistokes (100 SSU), for the burner nozzles is achieved. Low-pressure fuel-treatment skids provide the necessary fuel conditioning components, in a package ready for site installation. A normal residual oil may require heating in the range of 225 to 250°F (107 to 121°C) or higher. These fuels will typically require pretreatment to remove solid contaminants and may have additives introduced that provide some corrosion-inhibiting performance when the fuel is burned. A water wash to remove objectionable salts may be needed; this process involves dissolving water-soluble salts in water and then removing the water, normally by centrifuge. In addition, gas turbines using crude or residual fuels are normally started and shut down while burning a light, clean fuel, usually distillate fuel oil. This leaves the injection fuel system – including the pump, flow-division mechanism and nozzles – clean for the next restart; Otherwise, crude oils or residual-fuel oils may solidify and/or leave deposits that will inhibit a successful restart.

When the main fuel is a heated fuel and the startup/shutdown fuel is unheated, consideration should be given to the thermal shock that will be imposed on the main fuel injection pump and downstream fuel system components, when the pump's suction flow is switched from an ambient temperature fuel to one of elevated temperature. These pumps and other fuel system components typically have very close internal clearances, and drastic or sudden temperature swings should be minimized.

BLACK START

Gas turbines are frequently supplied in "black-start" configurations – that is, equipped to be started and brought on-line with no external source of power. Among other issues in such a configuration is that of supplying fuel oil at sufficient flow and pressure to initiate turbine combustion mode. This is normally accomplished by having the fuel injection pump driven from an accessory gear (attached pump) that, in turn, is driven by the gas turbine. The gas turbine is rotated using a diesel engine, itself a black-start configuration. The attached main fuel pump is sized to deliver the minimum light-off flow at maximum light-off pressure at minimum light-off speed. Once combustion begins the turbine is self-sustaining and

is brought to normal running speed with the diesels being clutched out of the accessory gear and stopped. At normal turbine speed, the fuel pump will deliver slightly in excess of the maximum required flow rate, due to being sized for the low-speed light-off condition.

FUEL RECIRCULATION

Note that it is common practice that the main fuel injection pump control valve and bypass relief-valve flow be returned to the inlet side of the pump. When burn rates are low and bypass pressures are low (no or low load running), there are usually no problems, as the power input to the pump is also low. When the pump's power draw is high, (substantial to full load on the turbine), any bypassed flow is converted to temperature rise within the bypassed fuel. Continuous high-flow bypass to the pump inlet can overheat the fuel, resulting in pump damage. This condition can exist especially if something such as a failed downstream-flow divider causes the main pump relief valve to bypass back to the main pump inlet. The preferred bypass return location is upstream of the fuel-treatment/ forwarding pumps or back to the fuel storage tanks if the distance is not excessive. In either of these preferred return locations, a larger volume of fuel can dissipate the heat gain before the temperature rise becomes excessive. If the fuel is continuously heated as part of its preparatory treatment, the optimum return location is upstream of the heaters; this will reduce the heater load and improve operating efficiency. If recirculation is directed to the main fuel pump inlet, then pump-liquid suction temperature should be instrumented for alarm or shutdown, if an excessive temperature is reached.

MAIN FUEL PUMPS

Most power generation gas turbines use industrial-grade, heavy-duty main fuel pumps, typically twin-screw or three-screw designs (see Figure 5). Such pumps are not flight qualified, having far too low a power-to-weight ratio. Aero-derivative gas turbines will sometimes use their equivalent flight-qualified main fuel pumps, which are most ordinarily of the gear pump design. Multistage, industrial gear pumps (Figure 6) are now also available for use on these machines. Both the gear-type and three-screw-type pumps use two-pole electric-motor direct-drive speeds of 2,900 revolutions per minute (rpm) (50 hertz [Hz]) or 3,500 rpm (60 Hz), or four-pole speeds of 1,450 rpm (50 Hz) or 1,750 rpm (60 Hz). The largest sizes, as well as the twin-screw pumps, use four-pole electric-motor speeds. Specific pump configurations

depend to varying degrees on the fuel type, operating temperature, fuel viscosity range, required pressure rise and flow rate. Main fuel pumps have been supplied for pressures just above 2,000 pounds per square inch (psi).

Figure 5 Screw Pump Designs for Gas Turbine Fuel Injection

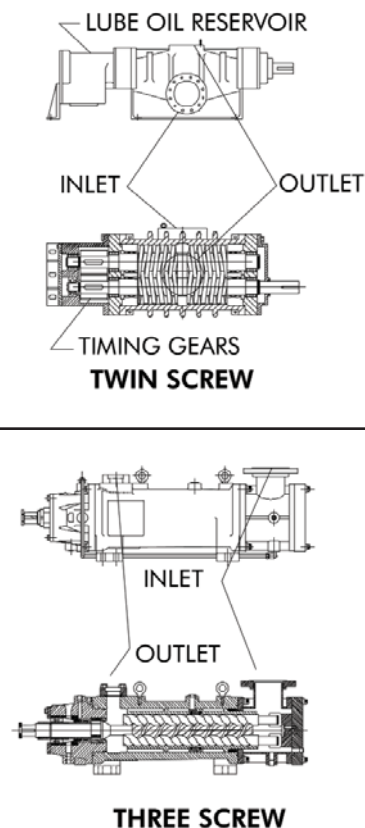
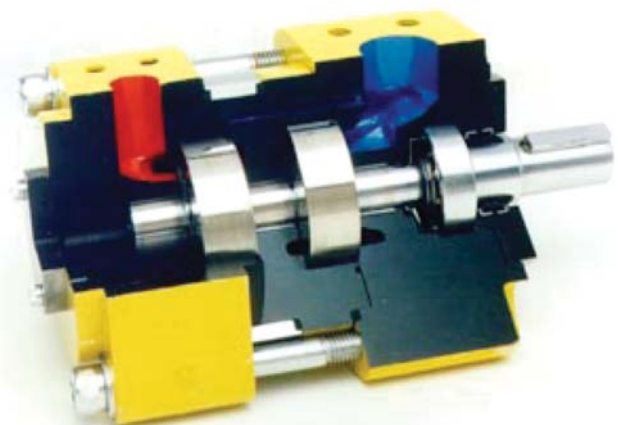


Figure 6 Multistage Gear-Type High-Pressure Fuel-Injection Pump



FLOW SIZING

Required pump flow rate depends on a number of variables, including turbine power rating, site conditions, turbine thermal efficiency and the heating value of the liquid fuel to be used. The net heating value for distillate fuel is in the order of 128,000 British thermal units (Btu) per gallon. At this heating value, a 100 percent thermally efficient combustion gas turbine will, therefore, need 0.445 gallons per minute (gpm) (1.68 liters per minute [l/m]) per megawatt (MW) exclusive of control flow allowances. With a thermal efficiency of 30 percent and a control flow allowance of +15 percent, a 100MW machine will need a pump rated to deliver about 170 gpm (645l/m). At a fuel-pressure rise across the pump of 1,200 psi (83 bar), a typical requirement, the fuel pump will require a 150-horsepower (HP) (112-kilowatt [kW]) driver and could be expected to operate at around 80 percent efficiency. For standardized fuel system designs, pumps would be sized to provide the required fuel flow for the maximum possible turbine power rating, while pumping the lowest net heating-value fuel for which the system is suitable.

Trends in numbers of main fuel pumps continue to evolve. The most reliable systems will have two 100 percent capacity main fuel pumps, one acting as a standby for the other. This arrangement can be found in power plants whose primary or only fuel is liquid and in which full-load continuous operation is the norm. The use of three 50 percent capacity pumps will provide backup pump availability, as well as the ability to run partial flow, for partial-load applications. For situations in which liquid fuel is a backup fuel only and/or interrupted service is not catastrophic, a single 100 percent capacity fuel pump is the most common arrangement. Black-start systems having the main fuel pump driven from the accessory gear can also have a 100 percent backup motor driven standby pump, if desirable.

Nearly all installations include fuel-unloading pumps, to deliver fuel to storage tanks. Additionally there are usually fuel-forwarding pumps that deliver fuel to the main injection pumps or the fuel-treatment skid, if such treatment is necessary. The fuel-treatment skids frequently have forwarding pumps, as well. Most of these ancillary pumps are for low-pressure operation and of the centrifugal or screw-type designs, depending on the economics and specifiers' preferences. For heavier, higher-viscosity fuels, such as bunker fuel or crude oil, these pumps are almost always twin- or three-screw designs. Pumps can often be paired for main standby service, to ensure uninterrupted operation.

Colfax Corporation
8730 Stony Point Parkway
Suite 150
Richmond, VA 23235 USA
T: 804.327.5689
F: 804.560.4076

www.colfaxcorp.com

Colfax Americas
1710 Airport Road
Monroe, NC 28110 USA
T: 704.289.6511
F: 704.289.9273

Colfax Asia Pacific
Suite 1708
Universal Mansion
168 Yuyuan Road
200040 Shanghai, China
021.62481395
021.63737422
021.63868183

Colfax Europe,
Middle East, Africa
Allweilerstr. 1
78301 Radolfzell
Germany
+49.(7732).86-0
+49.(7732).86-436