


# AP12-40-04-3 (415V,0.4kW,0.5-5L/sec,1.5-10m)

## Contents:

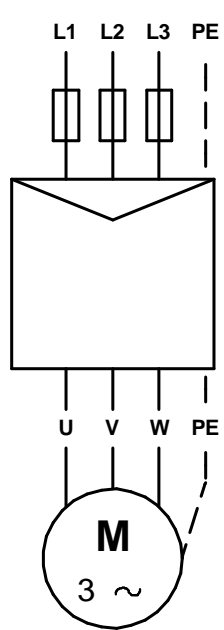
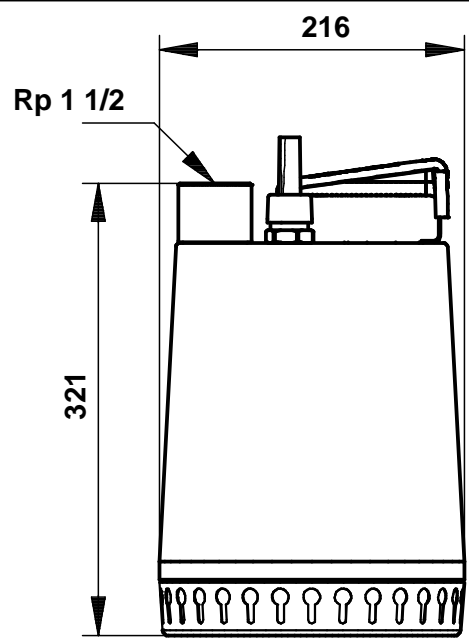
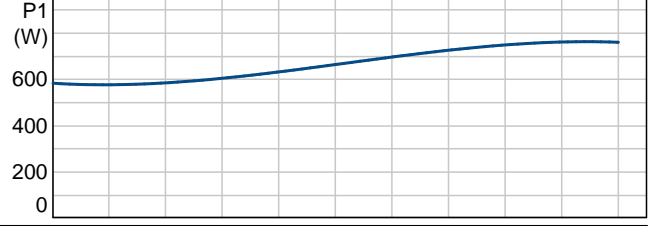
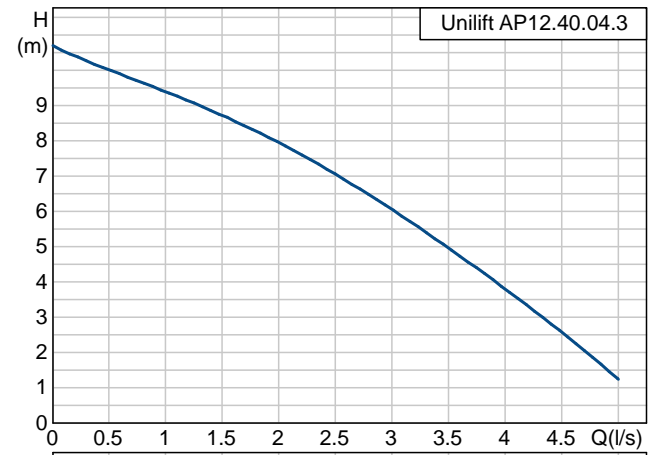
Unilift AP12.40.04.3 (96011024) .....	2
Quotation text .....	2
Quotation text incl. photo .....	3
Data sheet incl. curve .....	5
Pump curve .....	6
Dimensional drawing .....	7
Wiring diagram .....	8

Position	Qty.	Description	Single Price
	1	<p><b>Unilift AP12.40.04.3</b>  Product No.: 96011024  Submersible drainage pump type</p> <p>Vertical single-stage stainless steel submersible pump with vertical discharge port and integrated submersible 3-phase totally enclosed motor in insulation class F. The pump is fitted with a suction strainer.</p> <p>The impeller is a SEMI OPEN impeller for 12 mm free passage suitable for pumping groundwater, surface water, rain water and similar.</p> <p>The pump has a double shaft seal and an intermediate oil chamber pre-filled with non-toxic special oil.</p> <p>The pump has a riser pipe, a cooling jacket for continuous cooling of the motor by the pumped liquid and long-life deep-groove greased-for-life ball bearings.</p> <p>The pump is ready for use as it is fitted with carrying handle and is supplied with a 10 m mains cable. The mains cable is of the plug type with glass sealing compound in the socket to prevent penetration of humidity into the stator windings.</p> <p><b>Liquid:</b>  Liquid temperature range: 0 .. 55 °C</p> <p><b>Technical:</b>  Type of impeller: SEMI OPEN  Maximum particle size: 12 mm  Curve tolerance: ISO 9906 Annex A</p> <p><b>Materials:</b>  Pump housing: Stainless steel  1.4301 DIN W.-Nr.  304 AISI  Impeller: Stainless steel  1.4301 DIN W.-Nr.  304 AISI</p> <p><b>Installation:</b>  Pump outlet: Rp 1 1/2  Maximum installation depth: 10 m</p> <p><b>Electrical data:</b>  Power input - P1: 0.7 kW  Mains frequency: 50 Hz  Rated voltage: 3 x 400 V  Rated current: 1.2 A  Cos phi - power factor: 0,83  Rated speed: 2800 rpm  Enclosure class (IEC 34-5): IP68  Insulation class (IEC 85): F  Length of cable: 10 m  Type of cable plug: NONE</p> <p><b>Others:</b>  Net weight: 10.2 kg  Gross weight: 10.7 kg</p>	Price on request

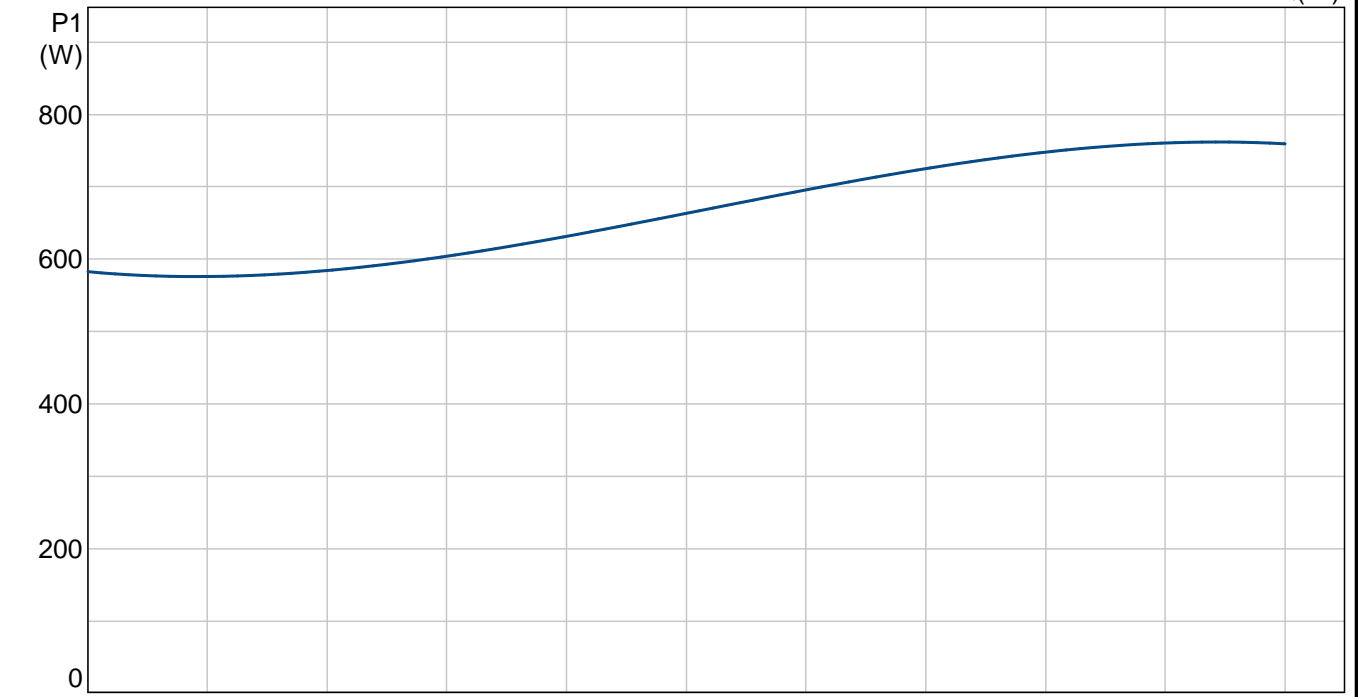
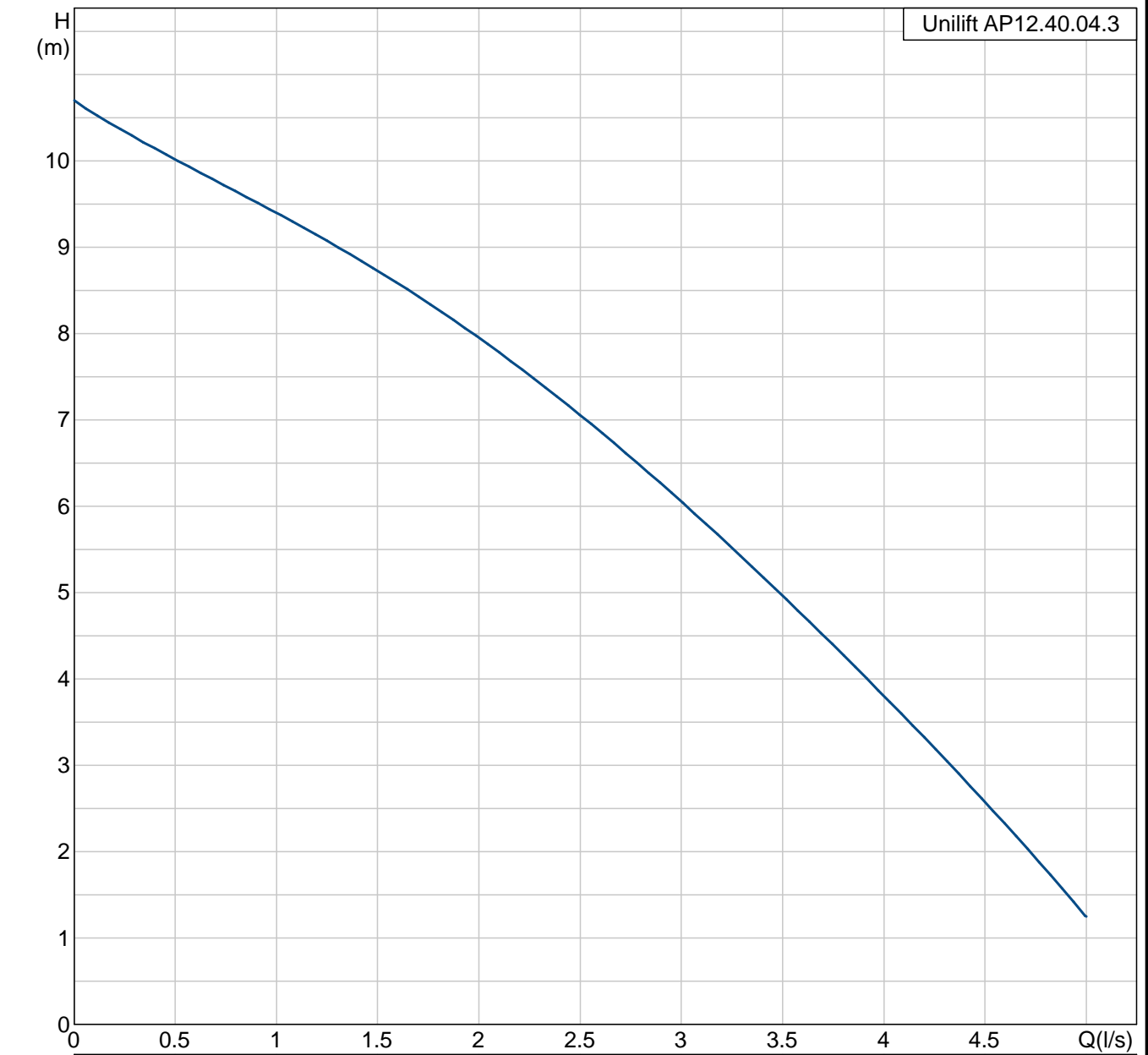
Position	Qty.	Description	Single Price
	1	<p data-bbox="296 159 523 188"><b>Unilift AP12.40.04.3</b></p>  <p data-bbox="683 589 1217 616"><b>Note! Product picture may differ from actual product</b></p> <p data-bbox="296 645 655 701">Product No.: 96011024 Submersible drainage pump type</p> <p data-bbox="296 730 839 871">Vertical single-stage stainless steel submersible pump with vertical discharge port and integrated submersible 3-phase totally enclosed motor in insulation class F. The pump is fitted with a suction strainer.</p> <p data-bbox="296 900 759 1014">The impeller is a SEMI OPEN impeller for 12 mm free passage suitable for pumping groundwater, surface water, rain water and similar.</p> <p data-bbox="296 1043 820 1128">The pump has a double shaft seal and an intermediate oil chamber pre-filled with non-toxic special oil.</p> <p data-bbox="296 1158 807 1272">The pump has a riser pipe, a cooling jacket for continuous cooling of the motor by the pumped liquid and long-life deep-groove greased-for-life ball bearings.</p> <p data-bbox="296 1301 823 1473">The pump is ready for use as it is fitted with carrying handle and is supplied with a 10 m mains cable. The mains cable is of the plug type with glass sealing compound in the socket to prevent penetration of humidity into the stator windings.</p> <p data-bbox="296 1503 764 1559"><b>Liquid:</b> Liquid temperature range: 0 .. 55 °C</p> <p data-bbox="296 1588 863 1702"><b>Technical:</b> Type of impeller: SEMI OPEN Maximum particle size: 12 mm Curve tolerance: ISO 9906 Annex A</p> <p data-bbox="296 1731 863 1933"><b>Materials:</b> Pump housing: Stainless steel 1.4301 DIN W.-Nr. 304 AISI Impeller: Stainless steel 1.4301 DIN W.-Nr. 304 AISI</p> <p data-bbox="296 1962 754 2047"><b>Installation:</b> Pump outlet: Rp 1 1/2 Maximum installation depth: 10 m</p> <p data-bbox="296 2076 472 2105"><b>Electrical data:</b></p>	Price on request

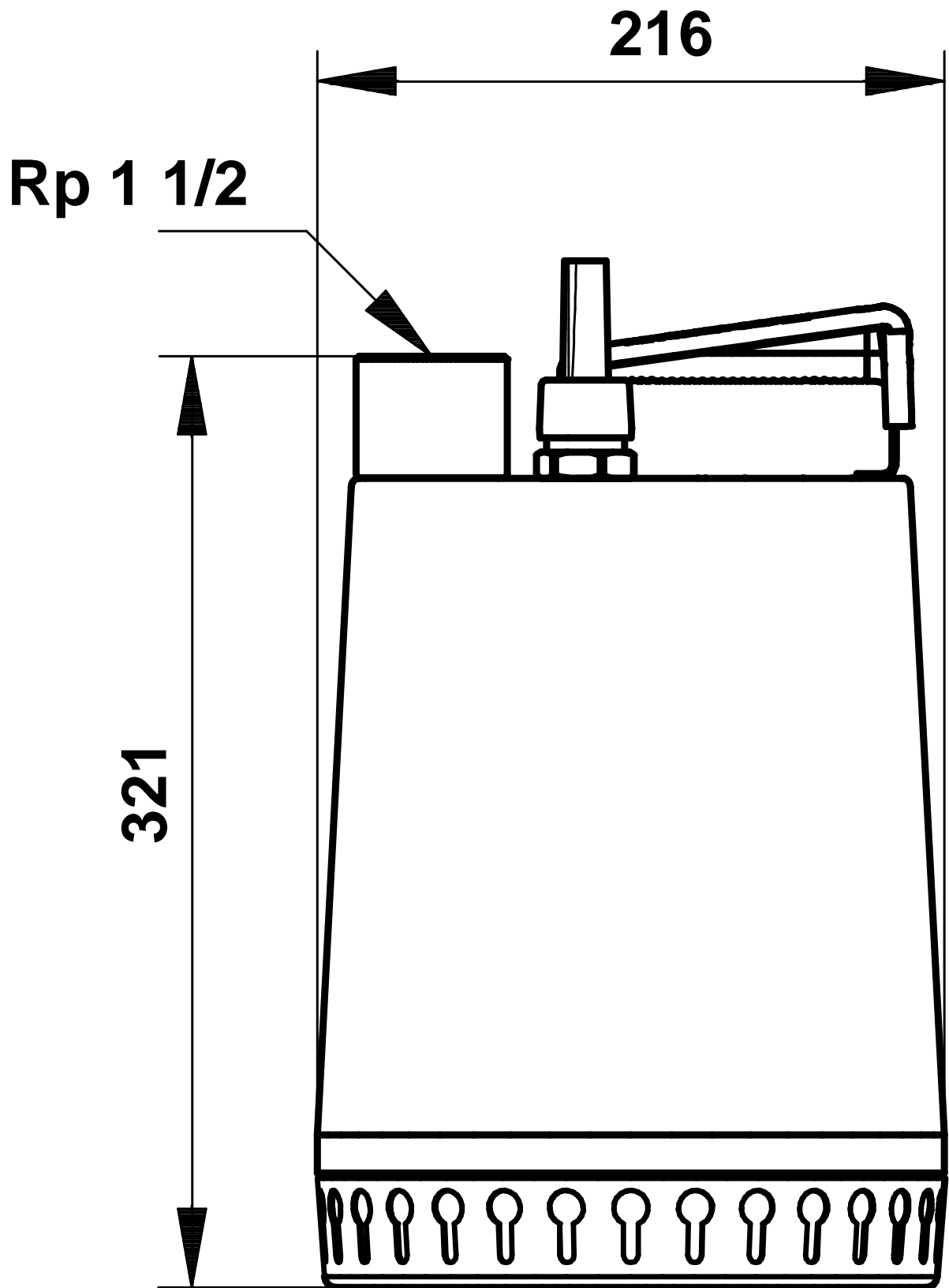
Position	Qty.	Description	Single Price
		Power input - P1: 0.7 kW Mains frequency: 50 Hz Rated voltage: 3 x 400 V Rated current: 1.2 A Cos phi - power factor: 0,83 Rated speed: 2800 rpm Enclosure class (IEC 34-5): IP68 Insulation class (IEC 85): F Length of cable: 10 m Type of cable plug: NONE  <b>Others:</b> Net weight: 10.2 kg Gross weight: 10.7 kg	

Description	Value
Product name:	Unilift AP12.40.04.3
Product No:	96011024
EAN number:	5700390901608
<b>Technical:</b>	
Max flow:	14 m <sup>3</sup> /h
Head max:	10 m
Type of impeller:	SEMI OPEN
Maximum particle size:	12 mm
Curve tolerance:	ISO 9906 Annex A
<b>Materials:</b>	
Pump housing:	Stainless steel 1.4301 DIN W.-Nr. 304 AISI
Impeller:	Stainless steel 1.4301 DIN W.-Nr. 304 AISI
<b>Installation:</b>	
Pump outlet:	Rp 1 1/2
Maximum installation depth:	10 m
Inst dry/wet:	D/S
Installation:	horizontal or vertical
<b>Liquid:</b>	
Liquid temperature range:	0 .. 55 °C
<b>Electrical data:</b>	
Power input - P1:	0.7 kW
P2:	0.4 kW
Mains frequency:	50 Hz
Rated voltage:	3 x 400 V
Rated current:	1.2 A
Cos phi - power factor:	0,83
Rated speed:	2800 rpm
Enclosure class (IEC 34-5):	IP68
Insulation class (IEC 85):	F
Motor protec:	NONE
Thermal protec:	external
Length of cable:	10 m
Type of cable plug:	NONE
<b>Others:</b>	
Net weight:	10.2 kg
Gross weight:	10.7 kg

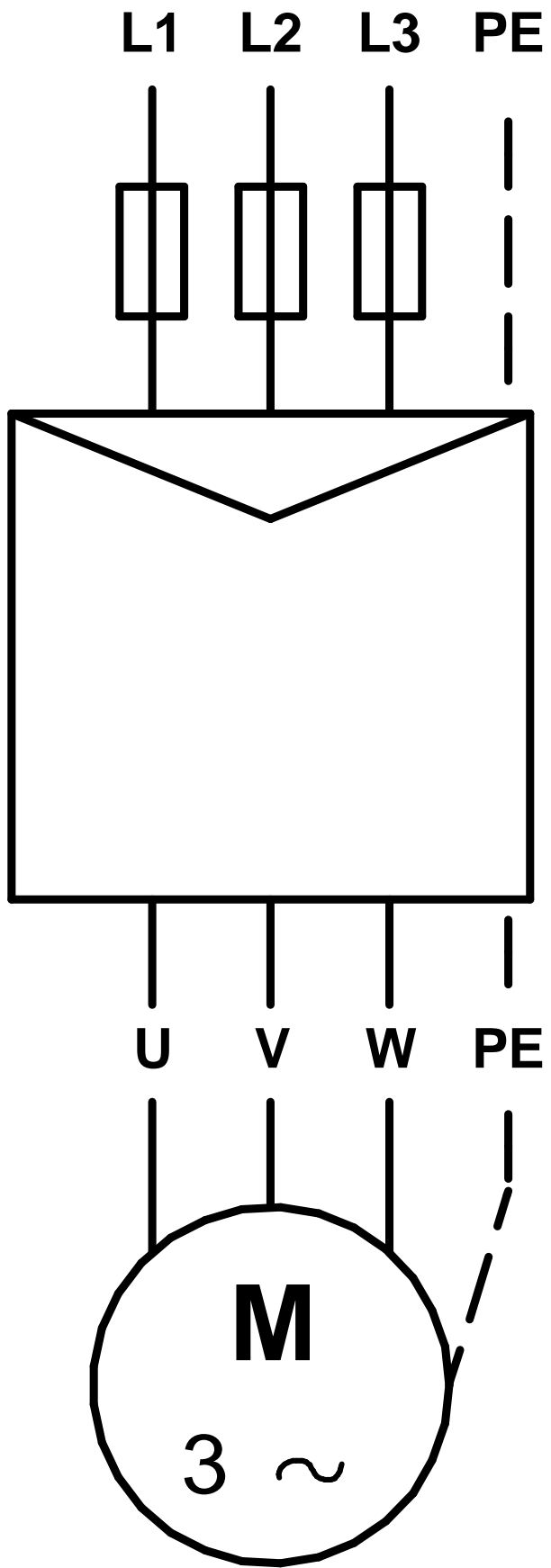


# 96011024 Unilift AP12.40.04.3





Note! All units are in [mm] unless others are stated.



Note! All units are in [mm] unless others are stated.