


# AP12-40-04-A3 (415V,0.4kW,0.5-5L/sec,1.5-10m)

## Contents:

Unilift AP12.40.04.A3 (96011025) .....	2
Quotation text .....	2
Quotation text incl. photo .....	4
Data sheet incl. curve .....	6
Pump curve .....	7
Dimensional drawing .....	8
Wiring diagram .....	9

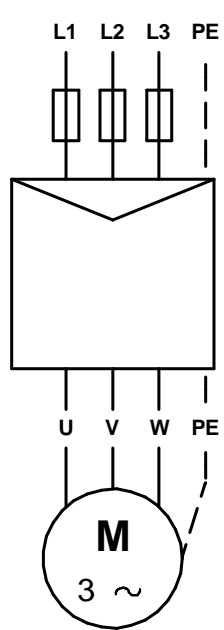
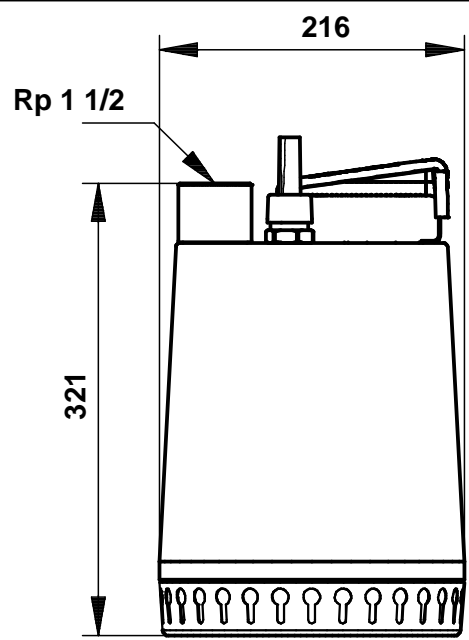
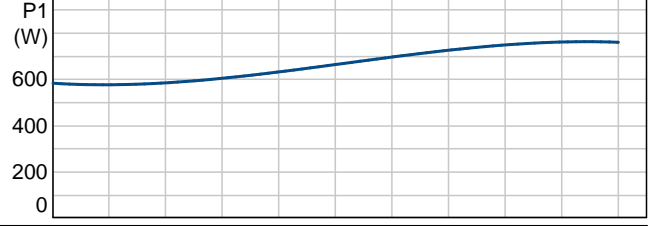
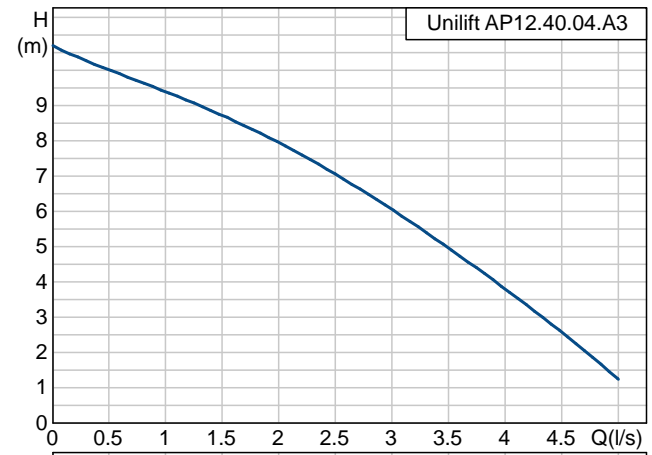
Position	Qty.	Description	Single Price
	1	<p><b>Unilift AP12.40.04.A3</b>  Product No.: 96011025  Submersible drainage pump type</p> <p>Vertical single-stage stainless steel submersible pump with vertical discharge port and integrated submersible 3-phase totally enclosed motor in insulation class F. The pump is fitted with a suction strainer.</p> <p>The pump is supplied with a control box including motor starter and motor protection and with an 0.8 m mains cable. Furthermore, the pump is supplied with level switch for automatic start and stop and 10 m level switch cable.</p> <p>The impeller is a SEMI OPEN impeller for 12 mm free passage suitable for pumping groundwater, surface water, rain water and similar.</p> <p>The pump has a double shaft seal and an intermediate oil chamber pre-filled with non-toxic special oil.</p> <p>The pump has a riser pipe, a cooling jacket for continuous cooling of the motor by the pumped liquid and long-life deep-groove greased-for-life ball bearings.</p> <p>The pump is ready for use as it is fitted with carrying handle and is supplied with a 10 m mains cable. The mains cable is of the plug type with glass sealing compound in the socket to prevent penetration of humidity into the stator windings.</p> <p><b>Liquid:</b>  Liquid temperature range: 0 .. 55 °C</p> <p><b>Technical:</b>  Type of impeller: SEMI OPEN  Maximum particle size: 12 mm  Curve tolerance: ISO 9906 Annex A</p> <p><b>Materials:</b>  Pump housing: Stainless steel  1.4301 DIN W.-Nr.  304 AISI  Impeller: Stainless steel  1.4301 DIN W.-Nr.  304 AISI</p> <p><b>Installation:</b>  Pump outlet: Rp 1 1/2  Maximum installation depth: 10 m</p> <p><b>Electrical data:</b>  Power input - P1: 0.7 kW  Mains frequency: 50 Hz  Rated voltage: 3 x 400 V  Rated current: 1.2 A  Cos phi - power factor: 0,83  Rated speed: 2800 rpm  Enclosure class (IEC 34-5): IP68  Insulation class (IEC 85): F  Length of cable: 10 m</p>	Price on request

Position	Qty.	Description	Single Price
		Type of cable plug: NONE  <b>Others:</b> Net weight: 12.5 kg Gross weight: 13 kg	

Position	Qty.	Description	Single Price
	1	<p data-bbox="296 159 539 188"><b>Unilift AP12.40.04.A3</b></p>  <p data-bbox="683 589 1219 616"><b>Note! Product picture may differ from actual product</b></p> <p data-bbox="296 645 655 701">Product No.: 96011025 Submersible drainage pump type</p> <p data-bbox="296 730 817 871">Vertical single-stage stainless steel submersible pump with vertical discharge port and integrated submersible 3-phase totally enclosed motor in insulation class F. The pump is fitted with a suction strainer.</p> <p data-bbox="296 900 828 1041">The pump is supplied with a control box including motor starter and motor protection and with an 0.8 m mains cable. Furthermore, the pump is supplied with level switch for automatic start and stop and 10 m level switch cable.</p> <p data-bbox="296 1070 759 1184">The impeller is a SEMI OPEN impeller for 12 mm free passage suitable for pumping groundwater, surface water, rain water and similar.</p> <p data-bbox="296 1214 820 1299">The pump has a double shaft seal and an intermediate oil chamber pre-filled with non-toxic special oil.</p> <p data-bbox="296 1328 807 1442">The pump has a riser pipe, a cooling jacket for continuous cooling of the motor by the pumped liquid and long-life deep-groove greased-for-life ball bearings.</p> <p data-bbox="296 1471 821 1641">The pump is ready for use as it is fitted with carrying handle and is supplied with a 10 m mains cable. The mains cable is of the plug type with glass sealing compound in the socket to prevent penetration of humidity into the stator windings.</p> <p data-bbox="296 1671 764 1729"><b>Liquid:</b> Liquid temperature range: 0 .. 55 °C</p> <p data-bbox="296 1758 863 1872"><b>Technical:</b> Type of impeller: SEMI OPEN Maximum particle size: 12 mm Curve tolerance: ISO 9906 Annex A</p> <p data-bbox="296 1901 863 2101"><b>Materials:</b> Pump housing: Stainless steel 1.4301 DIN W.-Nr. 304 AISI Impeller: Stainless steel 1.4301 DIN W.-Nr. 304 AISI</p>	Price on request

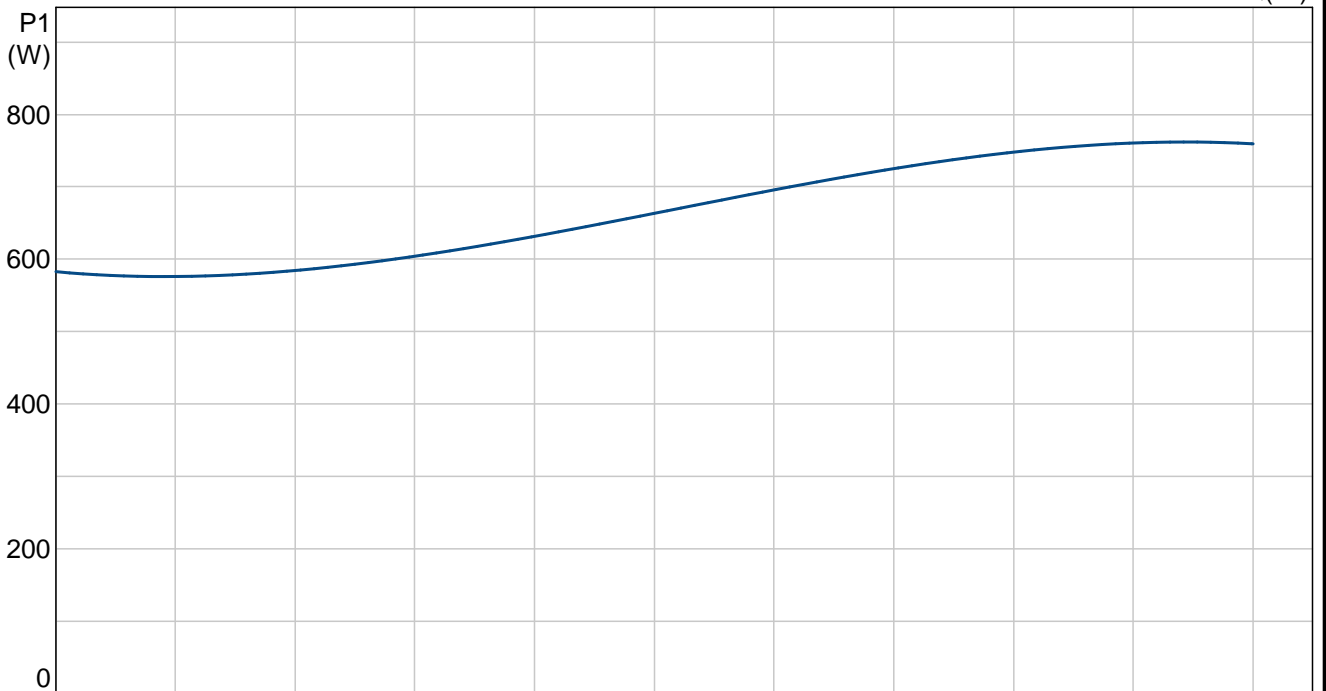
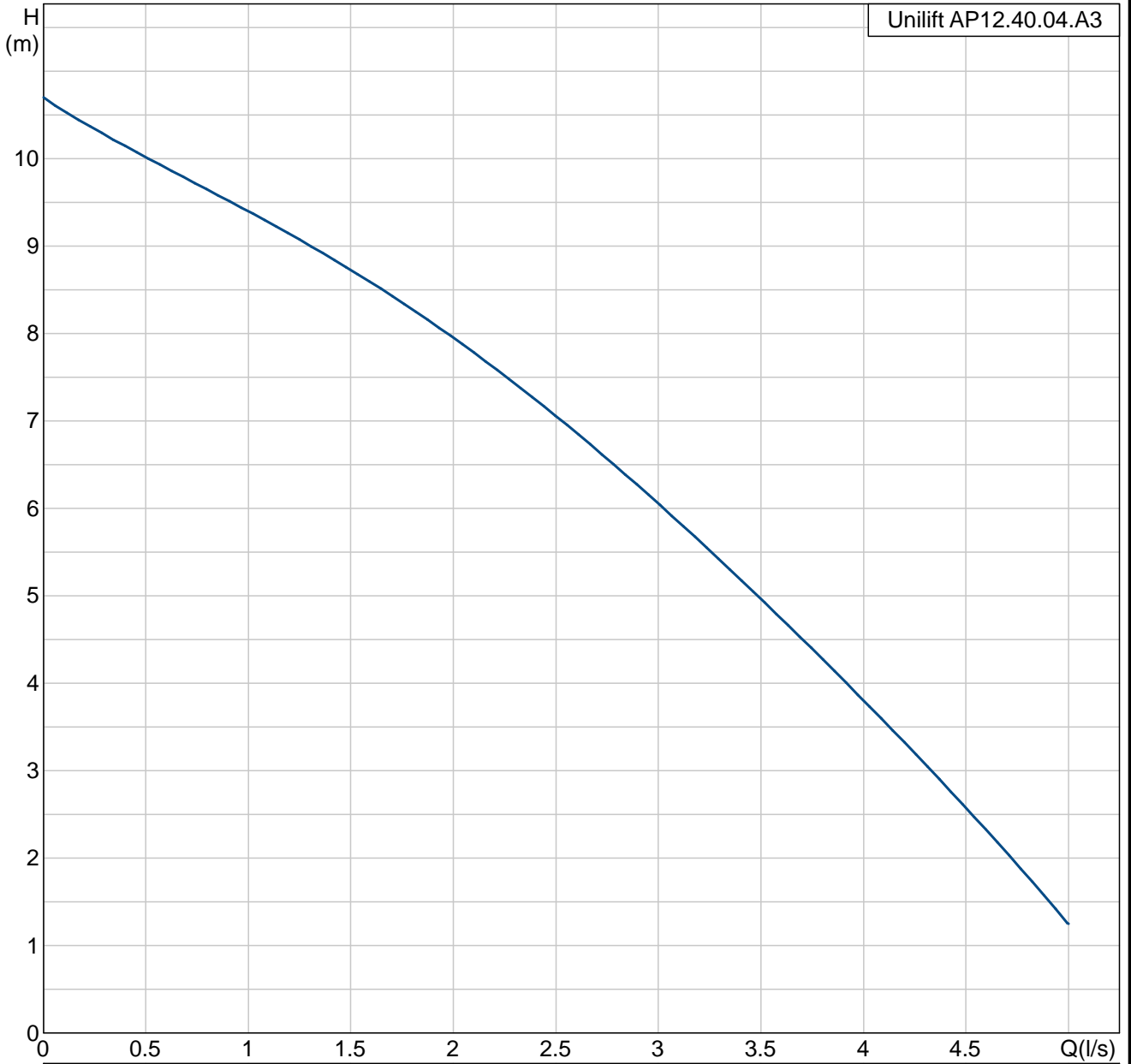
Position	Qty.	Description	Single Price
		<p><b>Installation:</b></p> <p>Pump outlet: Rp 1 1/2</p> <p>Maximum installation depth: 10 m</p> <p><b>Electrical data:</b></p> <p>Power input - P1: 0.7 kW</p> <p>Mains frequency: 50 Hz</p> <p>Rated voltage: 3 x 400 V</p> <p>Rated current: 1.2 A</p> <p>Cos phi - power factor: 0,83</p> <p>Rated speed: 2800 rpm</p> <p>Enclosure class (IEC 34-5): IP68</p> <p>Insulation class (IEC 85): F</p> <p>Length of cable: 10 m</p> <p>Type of cable plug: NONE</p> <p><b>Others:</b></p> <p>Net weight: 12.5 kg</p> <p>Gross weight: 13 kg</p>	

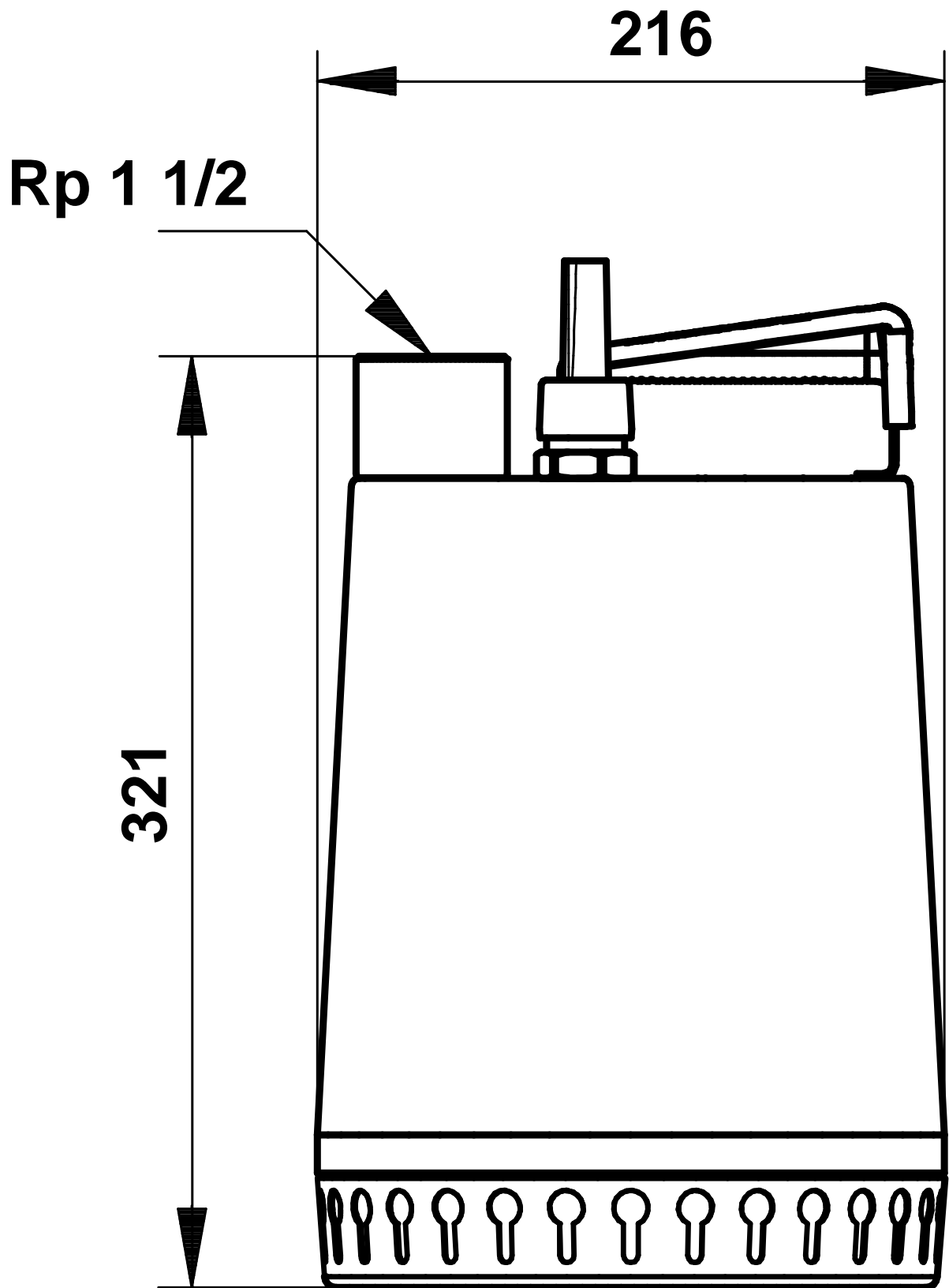
Description	Value
Product name:	Unilift AP12.40.04.A3
Product No:	96011025
EAN number:	5700390901646
<b>Technical:</b>	
Max flow:	14 m <sup>3</sup> /h
Head max:	10 m
Type of impeller:	SEMI OPEN
Maximum particle size:	12 mm
Curve tolerance:	ISO 9906 Annex A
<b>Materials:</b>	
Pump housing:	Stainless steel 1.4301 DIN W.-Nr. 304 AISI
Impeller:	Stainless steel 1.4301 DIN W.-Nr. 304 AISI
<b>Installation:</b>	
Pump outlet:	Rp 1 1/2
Maximum installation depth:	10 m
Inst dry/wet:	D/S
Installation:	horizontal or vertical
<b>Liquid:</b>	
Liquid temperature range:	0 .. 55 °C
<b>Electrical data:</b>	
Power input - P1:	0.7 kW
P2:	0.4 kW
Mains frequency:	50 Hz
Rated voltage:	3 x 400 V
Rated current:	1.2 A
Cos phi - power factor:	0,83
Rated speed:	2800 rpm
Enclosure class (IEC 34-5):	IP68
Insulation class (IEC 85):	F
Motor protec:	NONE
Thermal protec:	external
Length of cable:	10 m
Type of cable plug:	NONE
<b>Controls:</b>	
Level switch:	float switch
<b>Others:</b>	
Net weight:	12.5 kg
Gross weight:	13 kg



# 96011025 Unilift AP12.40.04.A3

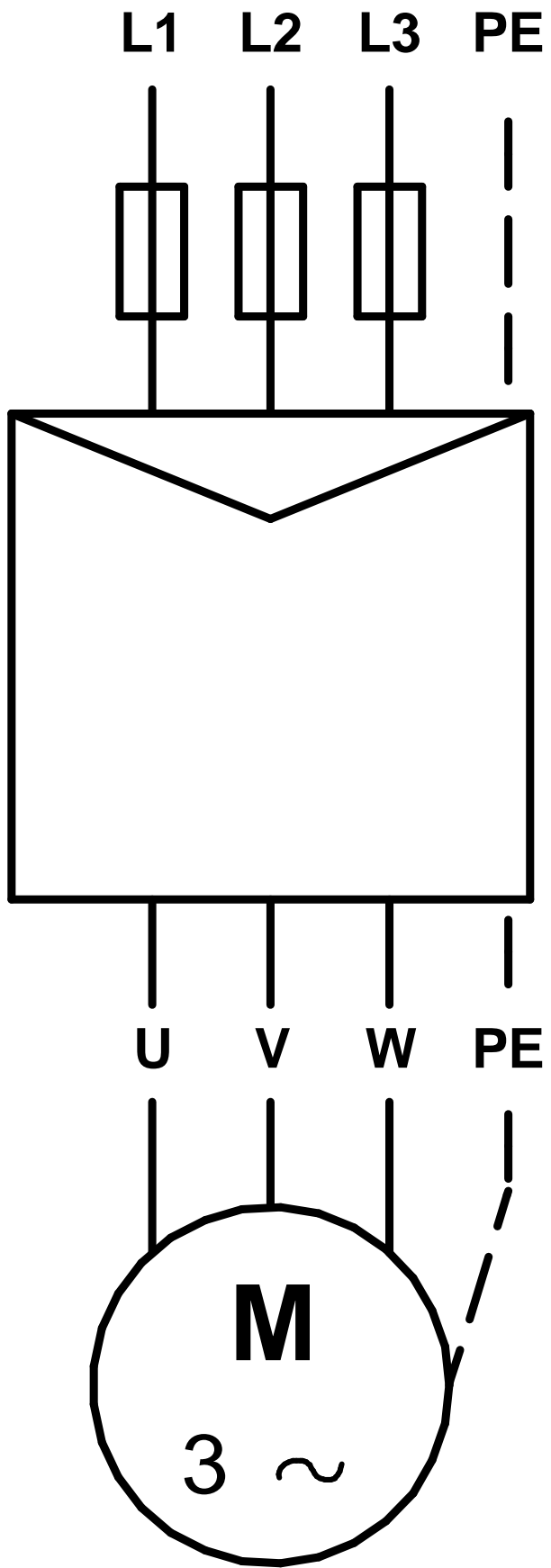
Unilift AP12.40.04.A3





Note! All units are in [mm] unless others are stated.





Note! All units are in [mm] unless others are stated.