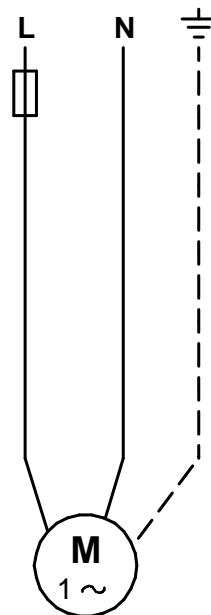
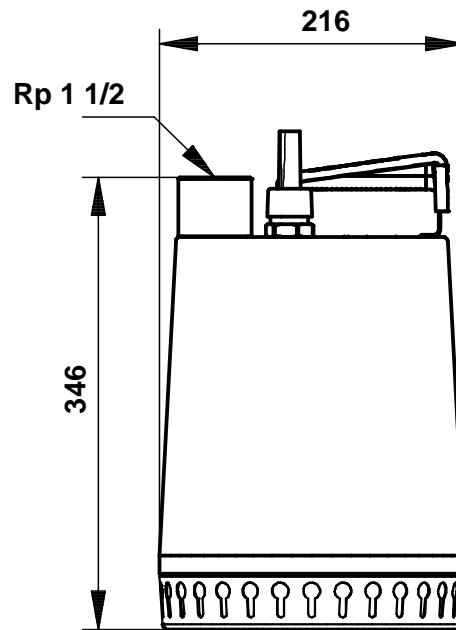
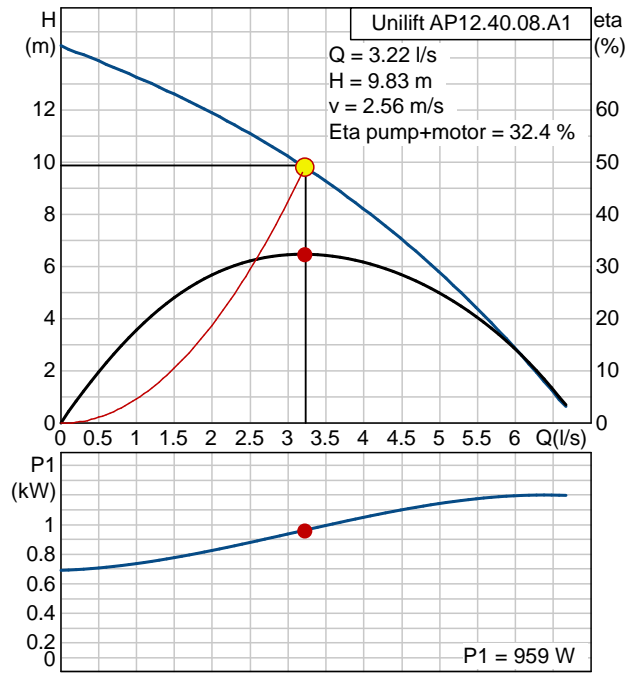


# AP12-40-08-A1 (240V,0.8kW,0.5-6L/sec,1-14m)

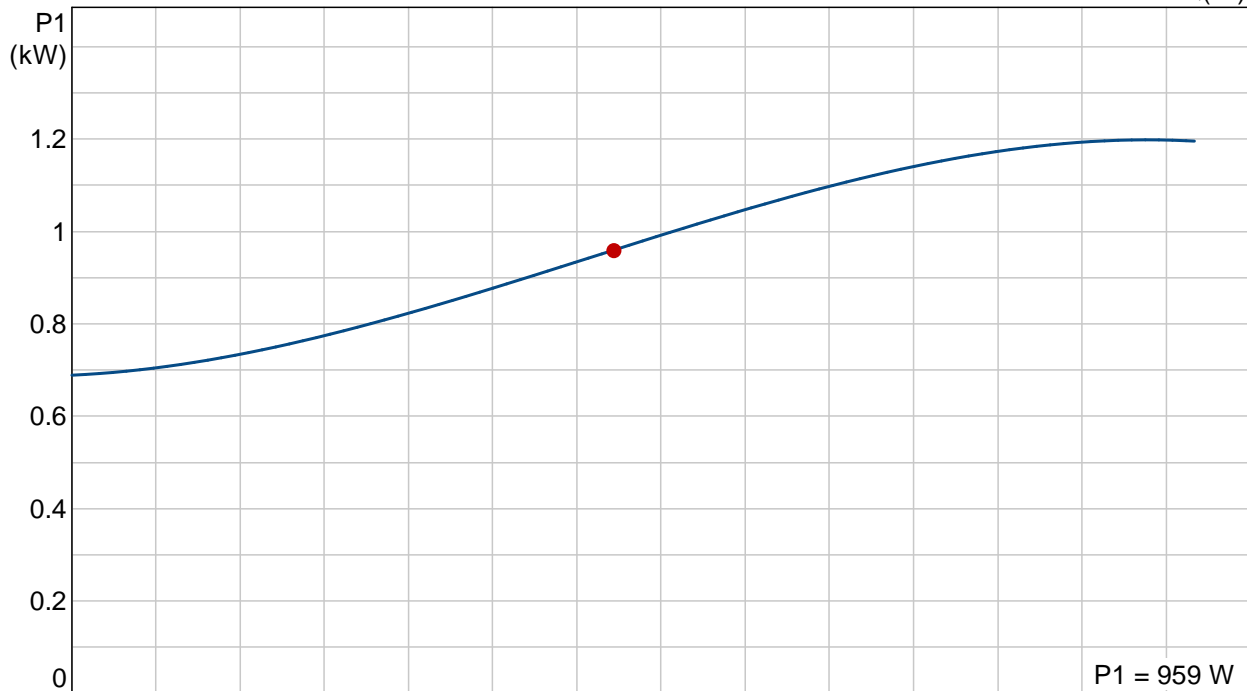
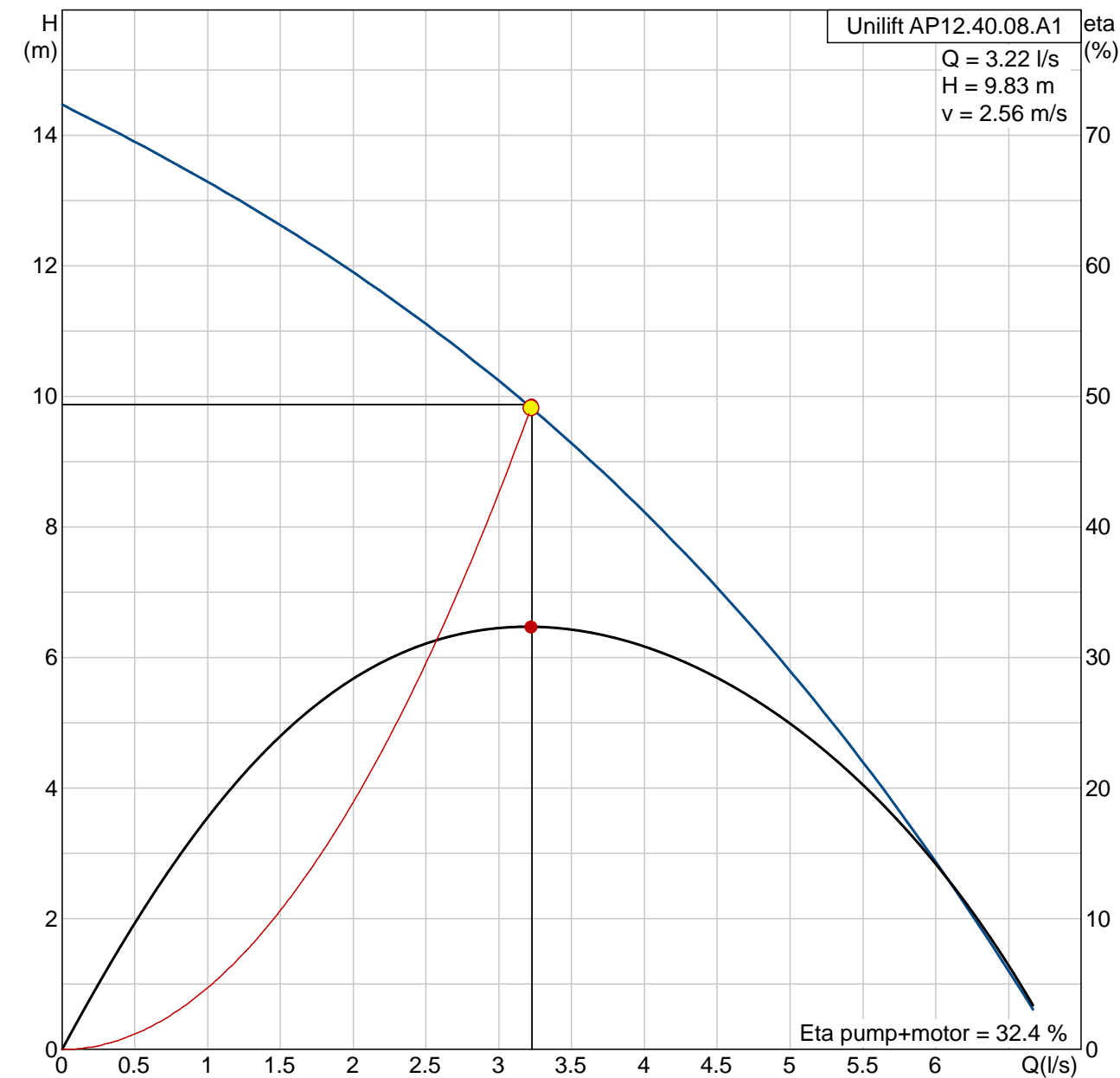
## Contents:

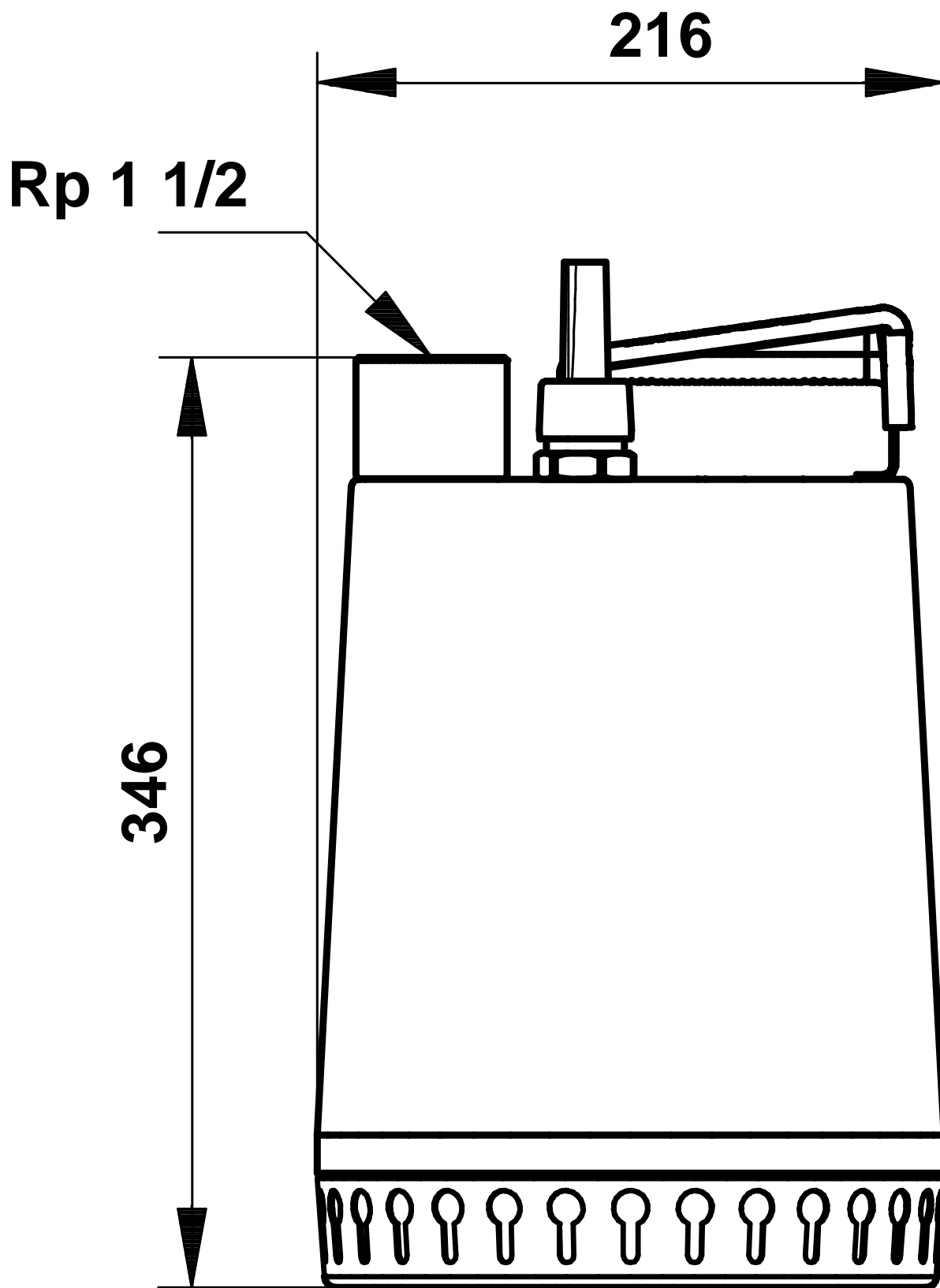
Unilift AP12.40.08.A1 (96001807) .....	2
Data sheet incl. curve .....	2
Pump curve .....	3
Dimensional drawing .....	4
Wiring diagram .....	5

Description	Value
Product name:	Unilift AP12.40.08.A1
Product No:	96001807
EAN number:	5700390473846
<b>Technical:</b>	
Max flow:	21 m <sup>3</sup> /h
Head max:	15 m
Type of impeller:	SEMI OPEN
Maximum particle size:	12 mm
Curve tolerance:	ISO 9906 Annex A
<b>Materials:</b>	
Pump housing:	Stainless steel 1.4301 DIN W.-Nr. 304 AISI
Impeller:	Stainless steel 1.4301 DIN W.-Nr. 304 AISI
<b>Installation:</b>	
Pump outlet:	Rp 1 1/2
Maximum installation depth:	10 m
Inst dry/wet:	D/S
Installation:	horizontal or vertical
<b>Liquid:</b>	
Liquid temperature range:	0 .. 55 °C
<b>Electrical data:</b>	
Type of motor:	PSC
Power input - P1:	1.3 kW
P2:	0.8 kW
Mains frequency:	50 Hz
Rated voltage:	1 x 230 V
Rated current:	5.9 A
Cos phi - power factor:	0,99
Rated speed:	2780 rpm
Capacitor size - run:	16 µF/400 V
Enclosure class (IEC 34-5):	IP68
Insulation class (IEC 85):	F
Motor protec:	CONTACT
Thermal protec:	internal
Length of cable:	3 m
Type of cable plug:	AU
<b>Controls:</b>	
Level switch:	float switch
<b>Others:</b>	
Net weight:	12.6 kg
Gross weight:	13.2 kg

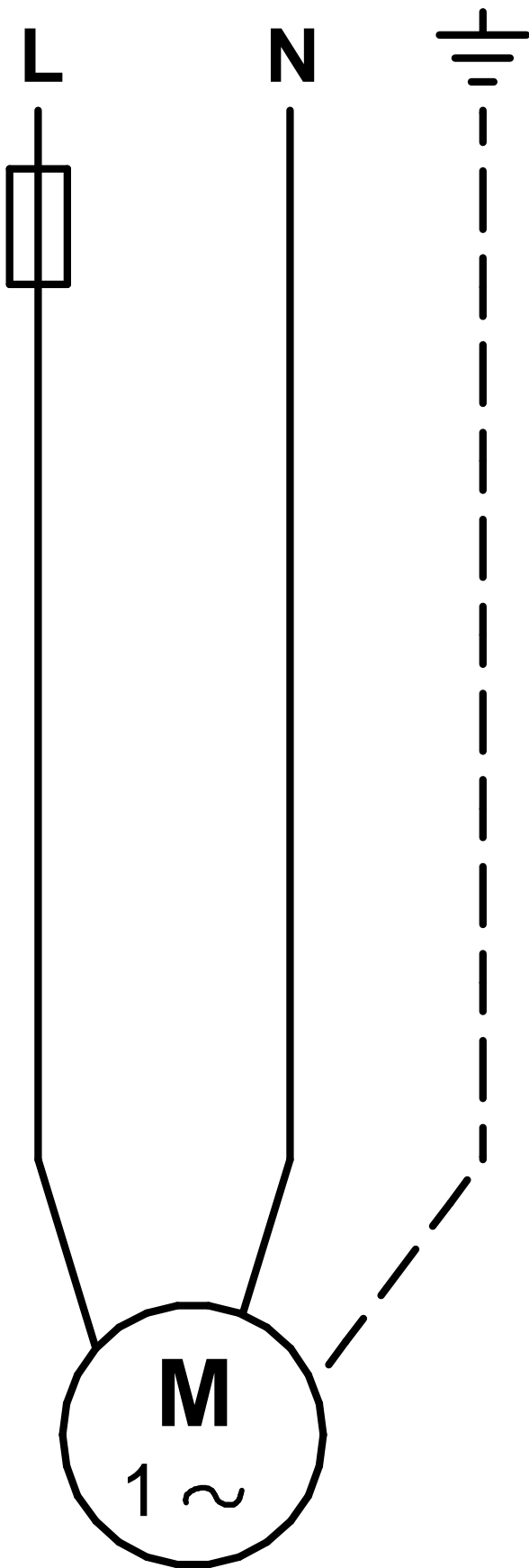


# 96001807 Unilift AP12.40.08.A1





Note! All units are in [mm] unless others are stated.



Note! All units are in [mm] unless others are stated.