


AP12-50-11-1 (240V, 1.1kW, 1-9L/sec, 2-15m)

Contents:

| | |
|---------------------------------------|---|
| Unilift AP12.50.11.1 (96001961) | 2 |
| Quotation text | 2 |
| Quotation text incl. photo | 4 |
| Data sheet incl. curve | 6 |
| Pump curve | 7 |
| Dimensional drawing | 8 |
| Wiring diagram | 9 |

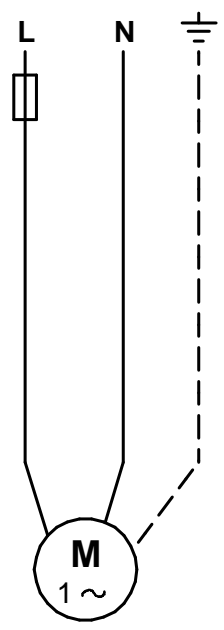
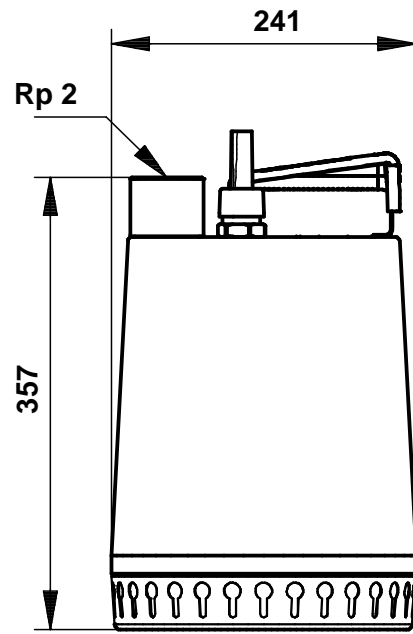
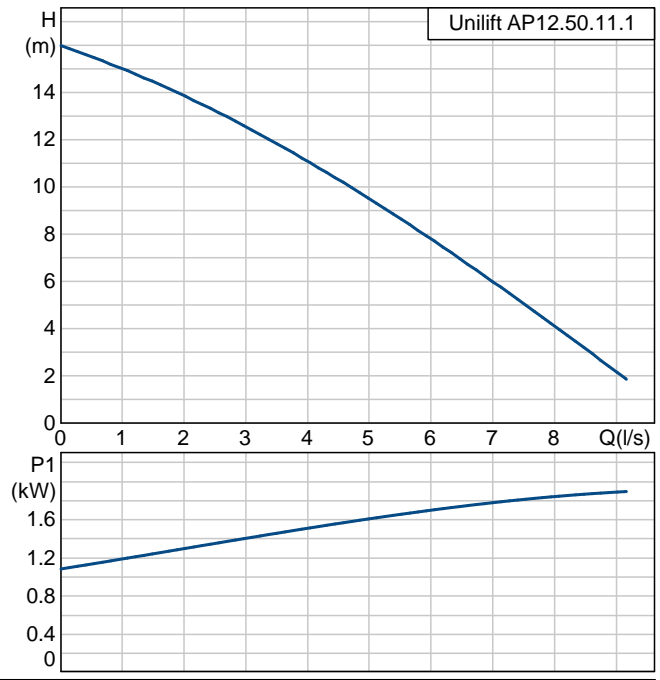
| Position | Qty. | Description | Single Price |
|----------|------|--|------------------|
| | 1 | <p>Unilift AP12.50.11.1 Product No.: 96001961 Submersible drainage pump type</p> <p>Vertical single-stage stainless steel submersible pump with vertical discharge port and integrated submersible 1-phase totally enclosed motor in insulation class F with thermal overload protection. The pump is fitted with a suction strainer.</p> <p>The impeller is a SEMI OPEN impeller for 12 mm free passage suitable for pumping groundwater, surface water, rain water and similar.</p> <p>The pump has a double shaft seal and an intermediate oil chamber pre-filled with non-toxic special oil.</p> <p>The pump has a riser pipe, a cooling jacket for continuous cooling of the motor by the pumped liquid and long-life deep-groove greased-for-life ball bearings.</p> <p>The pump is ready for use as it is fitted with carrying handle and is supplied with a 10 m mains cable. The mains cable is of the plug type with glass sealing compound in the socket to prevent penetration of humidity into the stator windings.</p> <p>Liquid: Liquid temperature range: 0 .. 55 °C</p> <p>Technical: Type of impeller: SEMI OPEN Maximum particle size: 12 mm Curve tolerance: ISO 9906 Annex A</p> <p>Materials: Pump housing: Stainless steel 1.4301 DIN W.-Nr. 304 AISI Impeller: Stainless steel 1.4301 DIN W.-Nr. 304 AISI</p> <p>Installation: Pump outlet: Rp 2 Maximum installation depth: 10 m</p> <p>Electrical data: Type of motor: PSC Power input - P1: 1.7 kW Mains frequency: 50 Hz Rated voltage: 1 x 230 V Rated current: 8.5 A Cos phi - power factor: 0,92 Rated speed: 2760 rpm Capacitor size - run: 20 µF/400 V Enclosure class (IEC 34-5): IP68 Insulation class (IEC 85): F Length of cable: 10 m Type of cable plug: AU</p> <p>Others:</p> | Price on request |

| <i>Position</i> | <i>Qty.</i> | <i>Description</i> | <i>Single Price</i> |
|-----------------|-------------|--|---------------------|
| | | Net weight: 15.7 kg Gross weight: 16.5 kg | |

| Position | Qty. | Description | Single Price |
|----------|------|--|------------------|
| | 1 | <p data-bbox="296 159 520 188">Unilift AP12.50.11.1</p>  <p data-bbox="683 589 1217 613">Note! Product picture may differ from actual product</p> <p data-bbox="296 645 655 701">Product No.: 96001961 Submersible drainage pump type</p> <p data-bbox="296 730 815 898">Vertical single-stage stainless steel submersible pump with vertical discharge port and integrated submersible 1-phase totally enclosed motor in insulation class F with thermal overload protection. The pump is fitted with a suction strainer.</p> <p data-bbox="296 929 759 1039">The impeller is a SEMI OPEN impeller for 12 mm free passage suitable for pumping groundwater, surface water, rain water and similar.</p> <p data-bbox="296 1070 794 1155">The pump has a double shaft seal and an intermediate oil chamber pre-filled with non-toxic special oil.</p> <p data-bbox="296 1187 807 1299">The pump has a riser pipe, a cooling jacket for continuous cooling of the motor by the pumped liquid and long-life deep-groove greased-for-life ball bearings.</p> <p data-bbox="296 1330 783 1500">The pump is ready for use as it is fitted with carrying handle and is supplied with a 10 m mains cable. The mains cable is of the plug type with glass sealing compound in the socket to prevent penetration of humidity into the stator windings.</p> <p data-bbox="296 1532 762 1588">Liquid: Liquid temperature range: 0 .. 55 °C</p> <p data-bbox="296 1619 861 1731">Technical: Type of impeller: SEMI OPEN Maximum particle size: 12 mm Curve tolerance: ISO 9906 Annex A</p> <p data-bbox="296 1762 861 1962">Materials: Pump housing: Stainless steel 1.4301 DIN W.-Nr. 304 AISI Impeller: Stainless steel 1.4301 DIN W.-Nr. 304 AISI</p> <p data-bbox="296 1993 715 2078">Installation: Pump outlet: Rp 2 Maximum installation depth: 10 m</p> | Price on request |

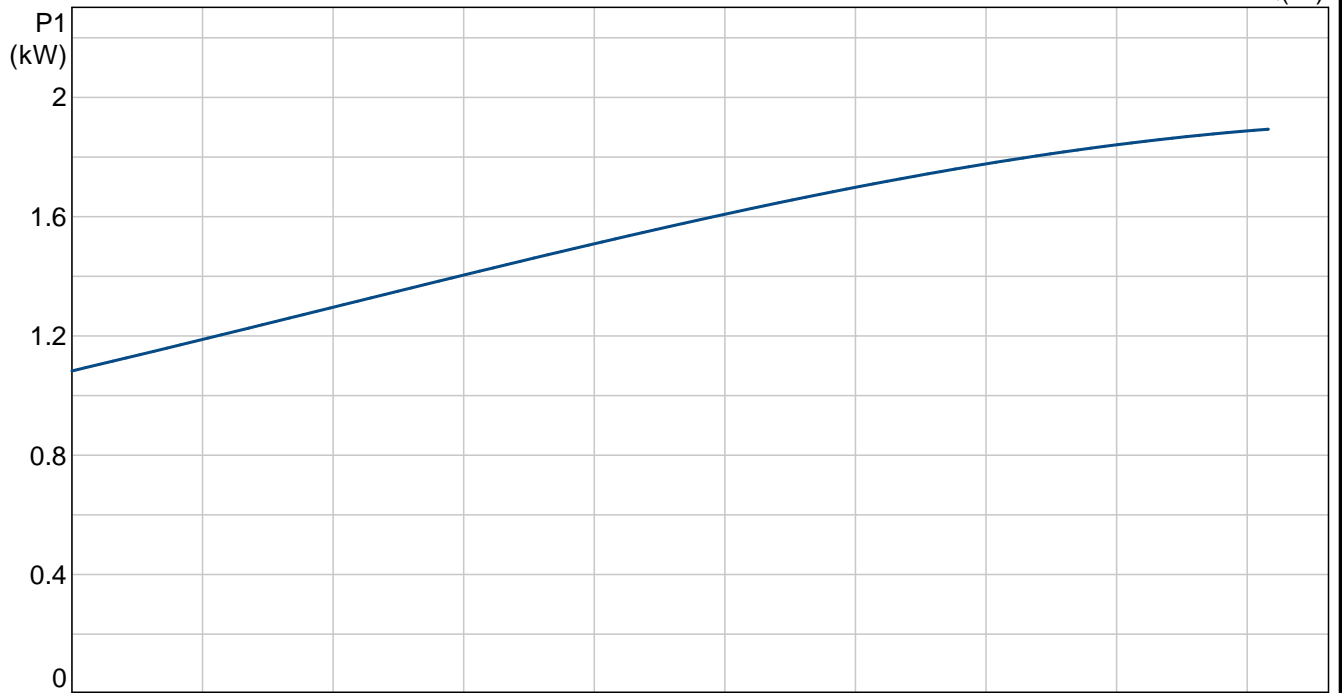
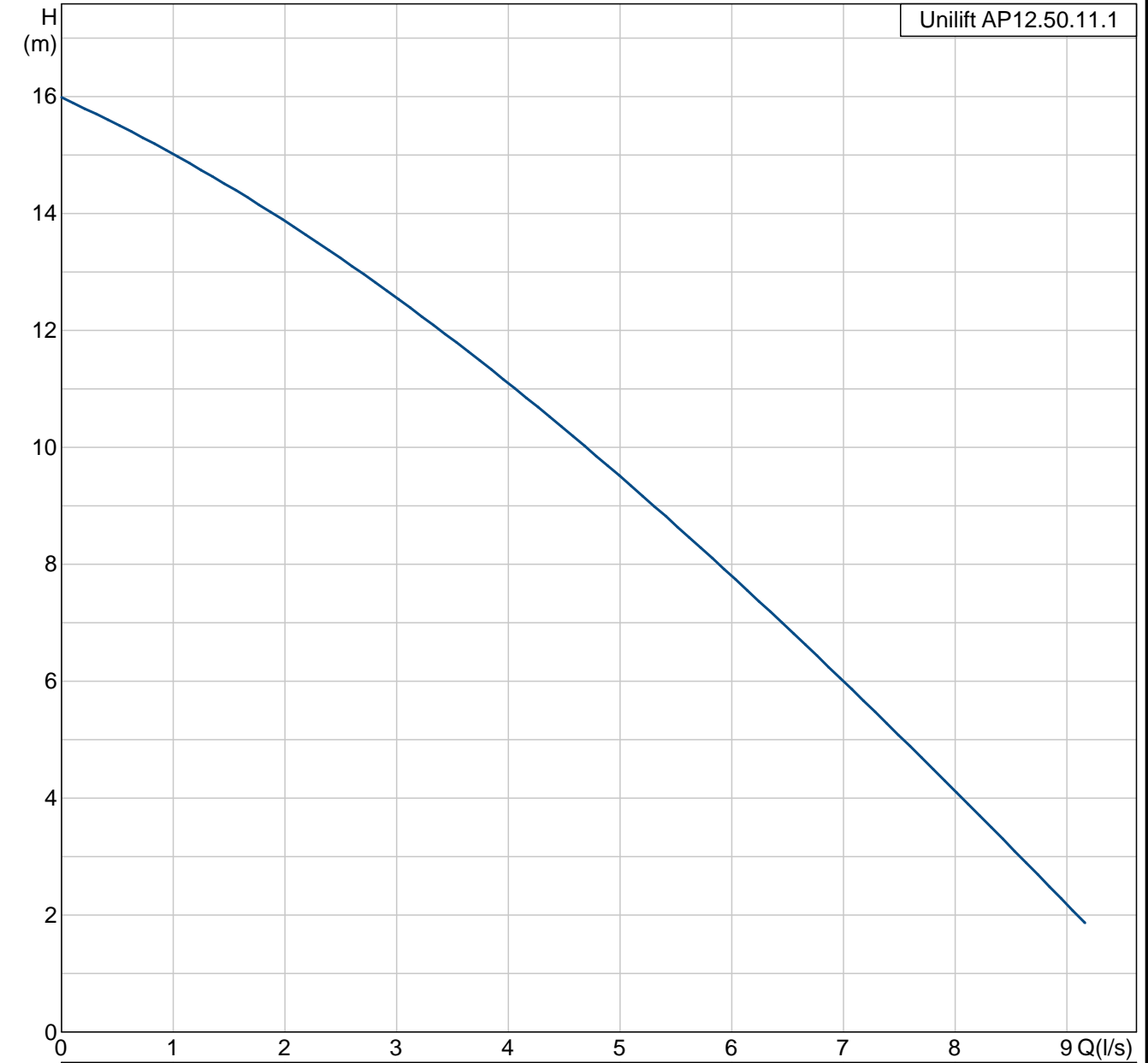
| Position | Qty. | Description | Single Price |
|----------|------|---|--------------|
| | | <p>Electrical data:</p> <p>Type of motor: PSC</p> <p>Power input - P1: 1.7 kW</p> <p>Mains frequency: 50 Hz</p> <p>Rated voltage: 1 x 230 V</p> <p>Rated current: 8.5 A</p> <p>Cos phi - power factor: 0,92</p> <p>Rated speed: 2760 rpm</p> <p>Capacitor size - run: 20 µF/400 V</p> <p>Enclosure class (IEC 34-5): IP68</p> <p>Insulation class (IEC 85): F</p> <p>Length of cable: 10 m</p> <p>Type of cable plug: AU</p> <p>Others:</p> <p>Net weight: 15.7 kg</p> <p>Gross weight: 16.5 kg</p> | |

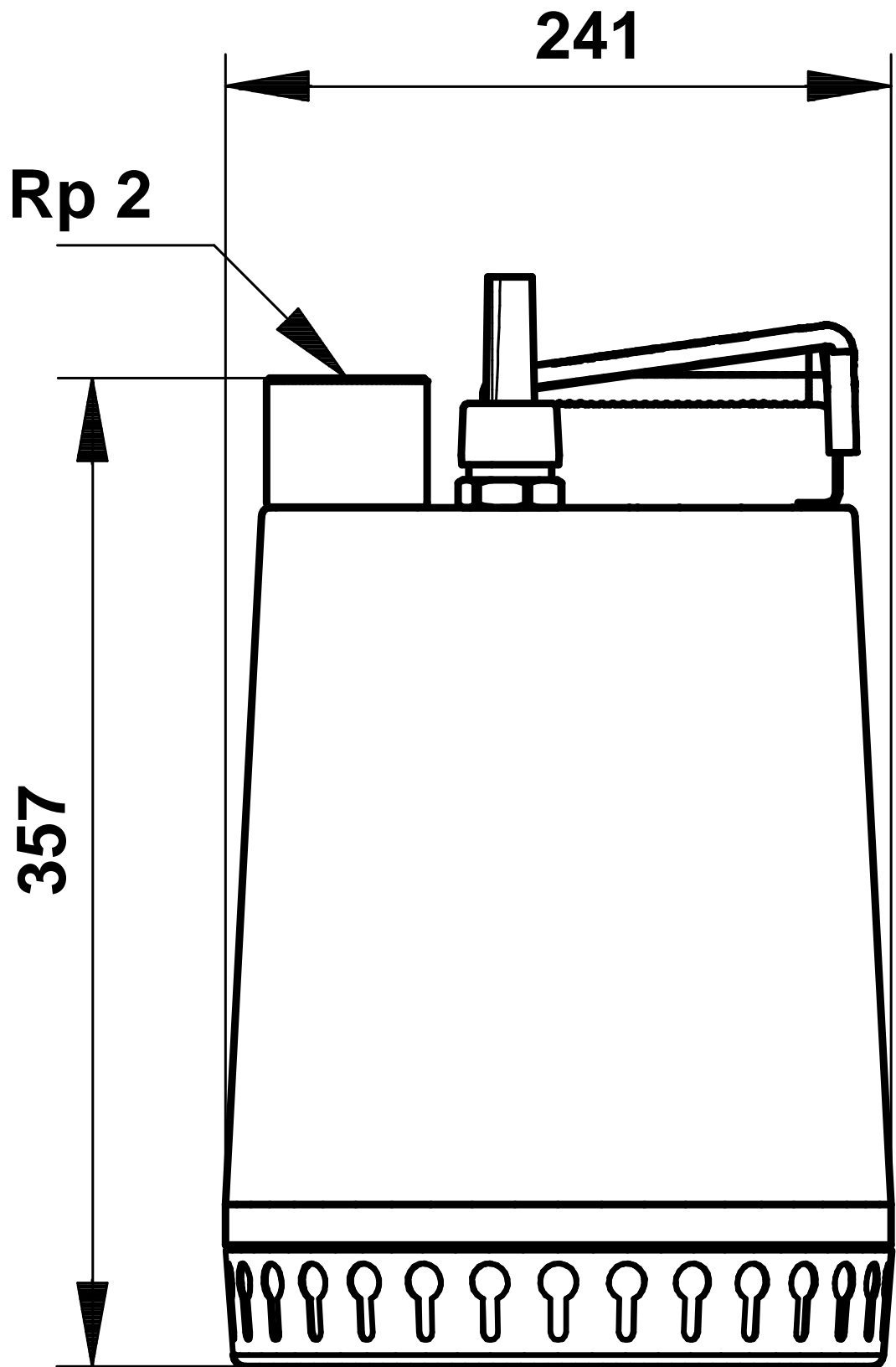
| Description | Value |
|-----------------------------|--|
| Product name: | Unilift AP12.50.11.1 |
| Product No: | 96001961 |
| EAN number: | 5700390476199 |
| Technical: | |
| Max flow: | 30 m ³ /h |
| Head max: | 17 m |
| Type of impeller: | SEMI OPEN |
| Maximum particle size: | 12 mm |
| Curve tolerance: | ISO 9906 Annex A |
| Materials: | |
| Pump housing: | Stainless steel 1.4301 DIN W.-Nr. 304 AISI |
| Impeller: | Stainless steel 1.4301 DIN W.-Nr. 304 AISI |
| Installation: | |
| Pump outlet: | Rp 2 |
| Maximum installation depth: | 10 m |
| Inst dry/wet: | D/S |
| Installation: | horizontal or vertical |
| Liquid: | |
| Liquid temperature range: | 0 .. 55 °C |
| Electrical data: | |
| Type of motor: | PSC |
| Power input - P1: | 1.7 kW |
| P2: | 1.1 kW |
| Mains frequency: | 50 Hz |
| Rated voltage: | 1 x 230 V |
| Rated current: | 8.5 A |
| Cos phi - power factor: | 0,92 |
| Rated speed: | 2760 rpm |
| Capacitor size - run: | 20 µF/400 V |
| Enclosure class (IEC 34-5): | IP68 |
| Insulation class (IEC 85): | F |
| Motor protec: | CONTACT |
| Thermal protec: | internal |
| Length of cable: | 10 m |
| Type of cable plug: | AU |
| Others: | |
| Net weight: | 15.7 kg |
| Gross weight: | 16.5 kg |



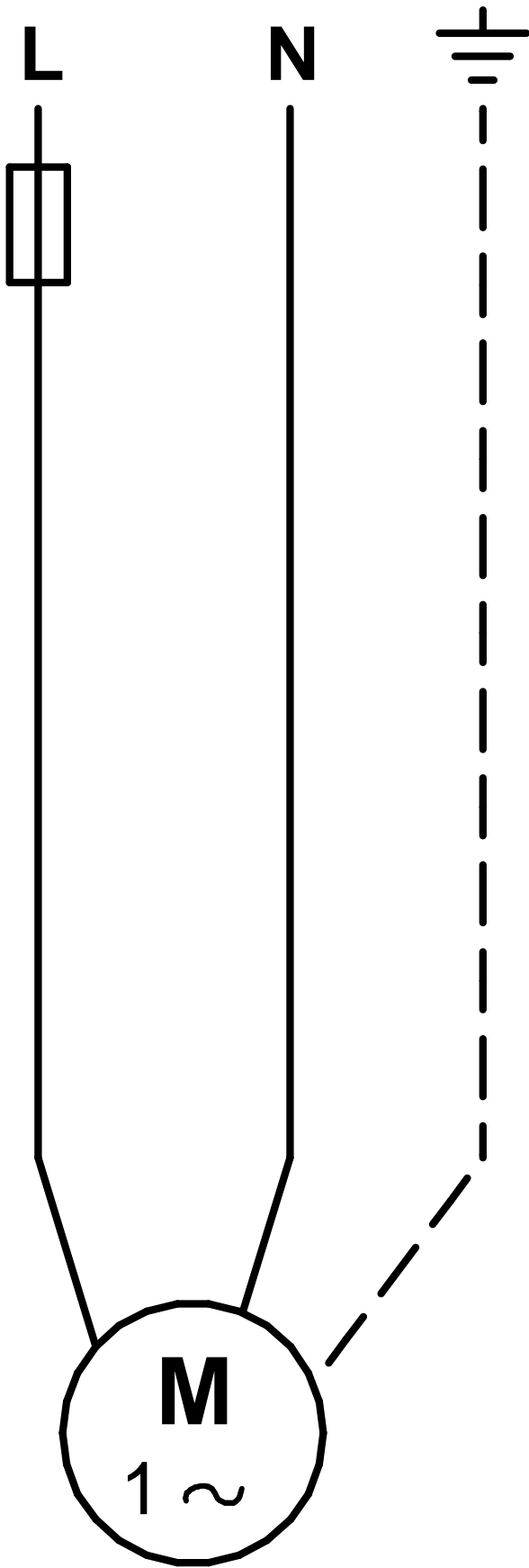
96001961 Unilift AP12.50.11.1

Unilift AP12.50.11.1





Note! All units are in [mm] unless others are stated.



Note! All units are in [mm] unless others are stated.