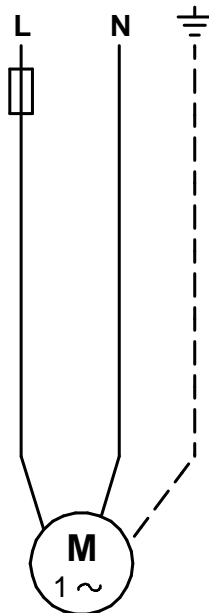
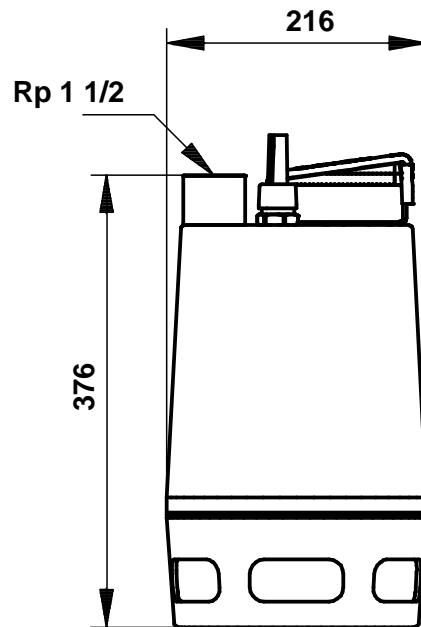
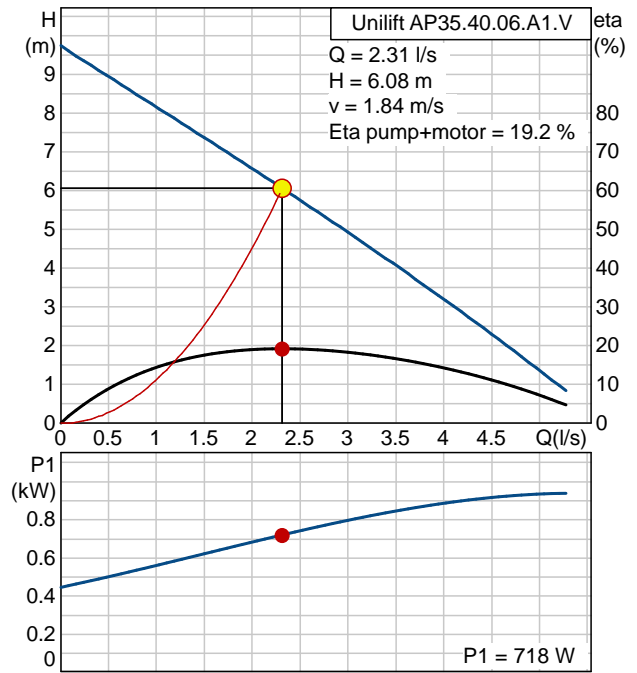


AP35-40-06-A1 (240V,0.6kW,0.5-5L/sec,1-10m)

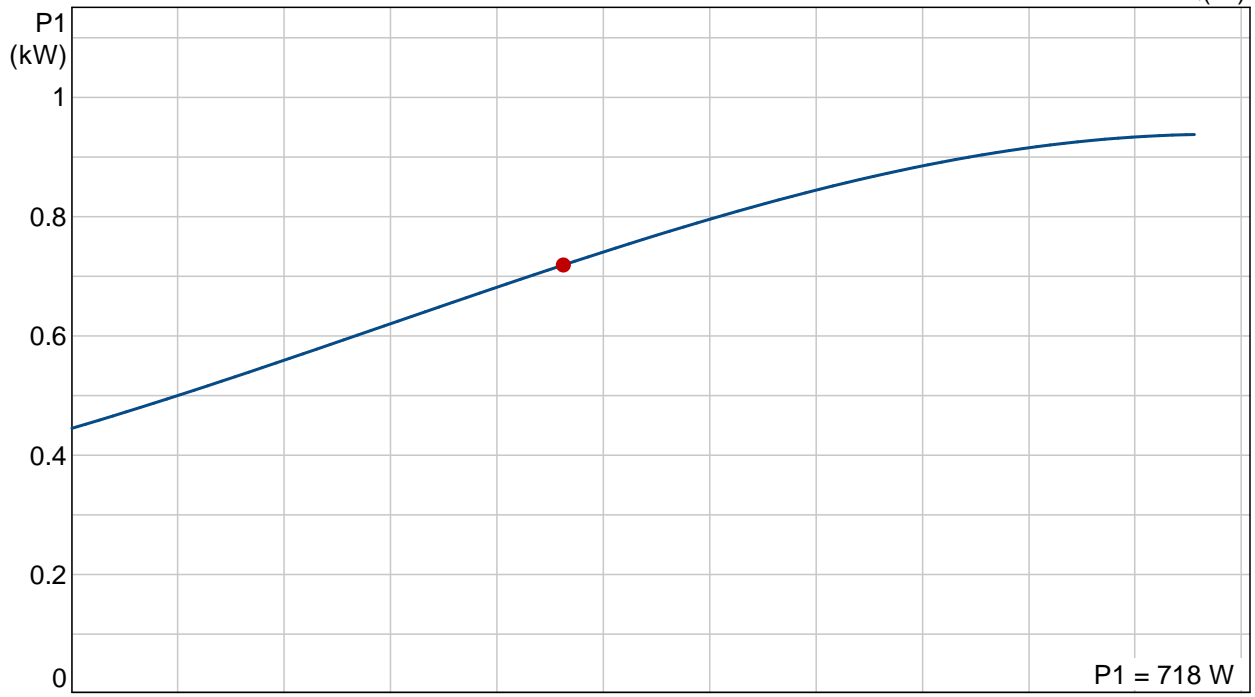
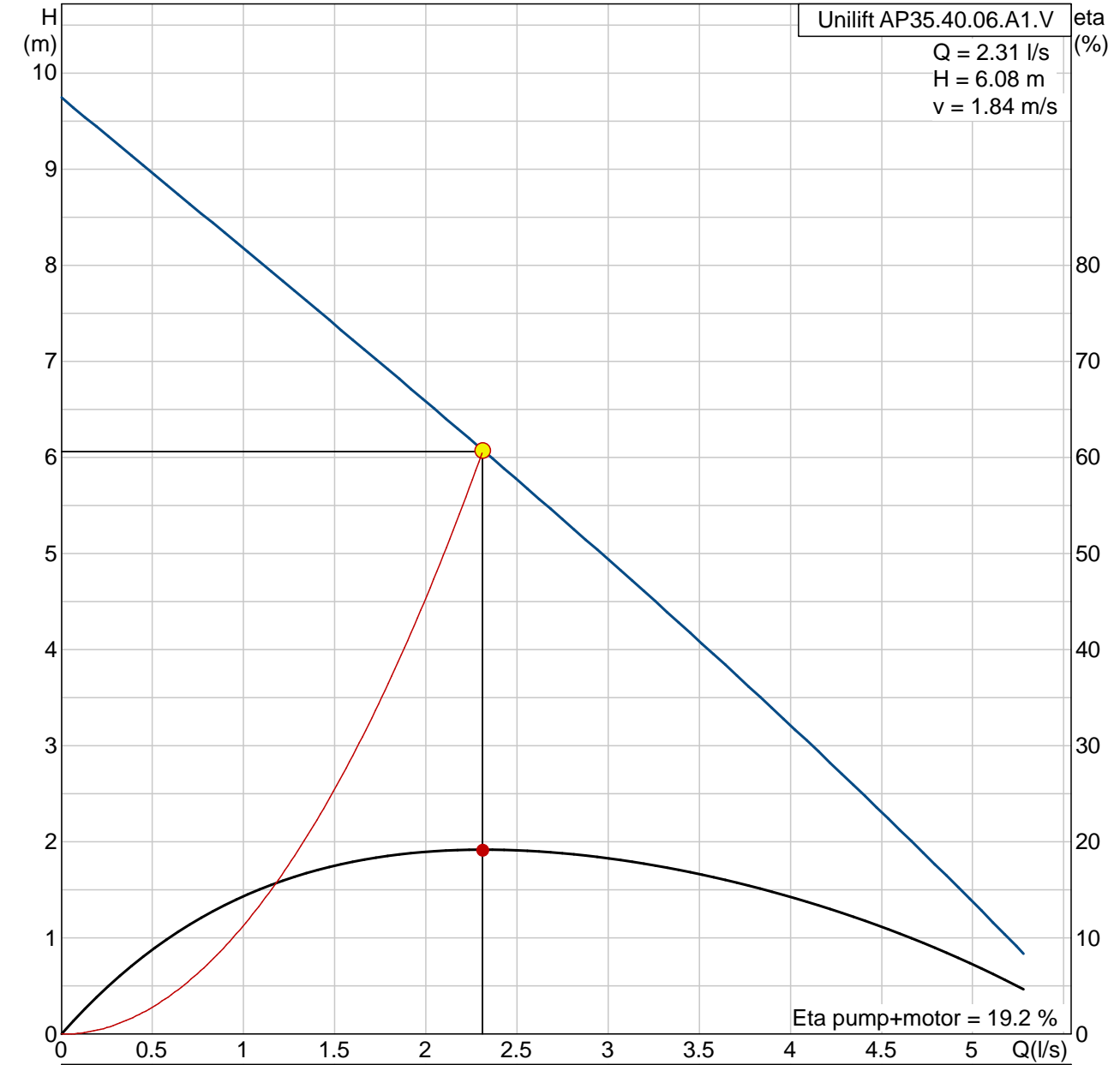
Contents:

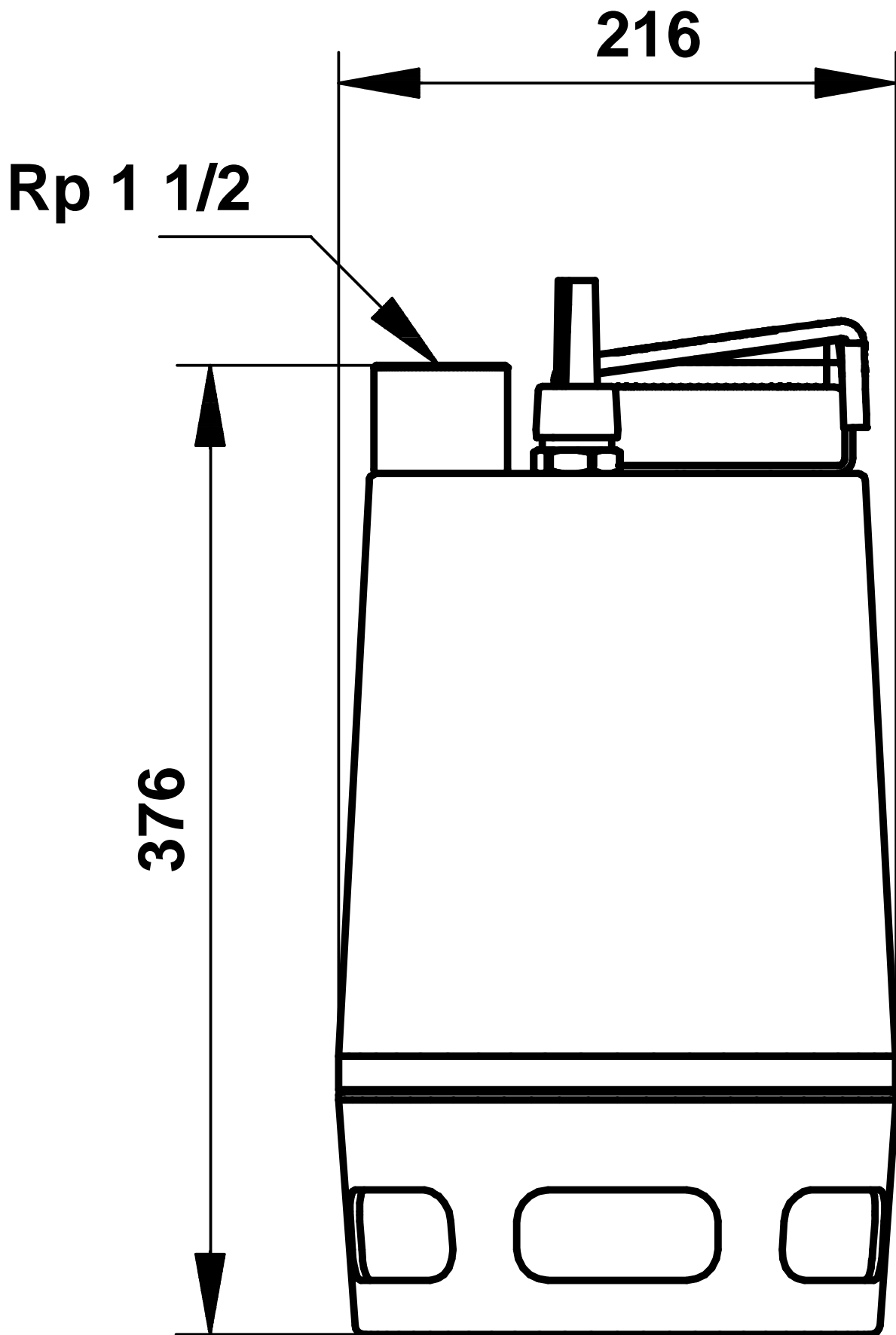
Unilift AP35.40.06.A1.V (96404183)	2
Data sheet incl. curve	2
Pump curve	3
Dimensional drawing	4
Wiring diagram	5

Description	Value
Product name:	Unilift AP35.40.06.A1.V
Product No:	96404183
EAN number:	5700390910341
Technical:	
Max flow:	15 m ³ /h
Head max:	10 m
Type of impeller:	VORTEX
Maximum particle size:	35 mm
Curve tolerance:	ISO 9906 Annex A
Materials:	
Pump housing:	Stainless steel 1.4301 DIN W.-Nr. 304 AISI
Impeller:	Stainless steel 1.4301 DIN W.-Nr. 304 AISI
Installation:	
Pump outlet:	Rp 1 1/2
Maximum installation depth:	10 m
Inst dry/wet:	D/S
Installation:	horizontal or vertical
Liquid:	
Liquid temperature range:	0 .. 55 °C
Electrical data:	
Type of motor:	PSC
Power input - P1:	0.9 kW
P2:	0.6 kW
Mains frequency:	50 Hz
Rated voltage:	1 x 230 V
Rated current:	4 A
Cos phi - power factor:	0,97
Rated speed:	2810 rpm
Capacitor size - run:	16 µF/400 V
Enclosure class (IEC 34-5):	IP68
Insulation class (IEC 85):	F
Motor protec:	CONTACT
Thermal protec:	internal
Length of cable:	10 m
Type of cable plug:	NONE
Controls:	
Level switch:	float switch
Others:	
Net weight:	12.2 kg
Gross weight:	12.7 kg

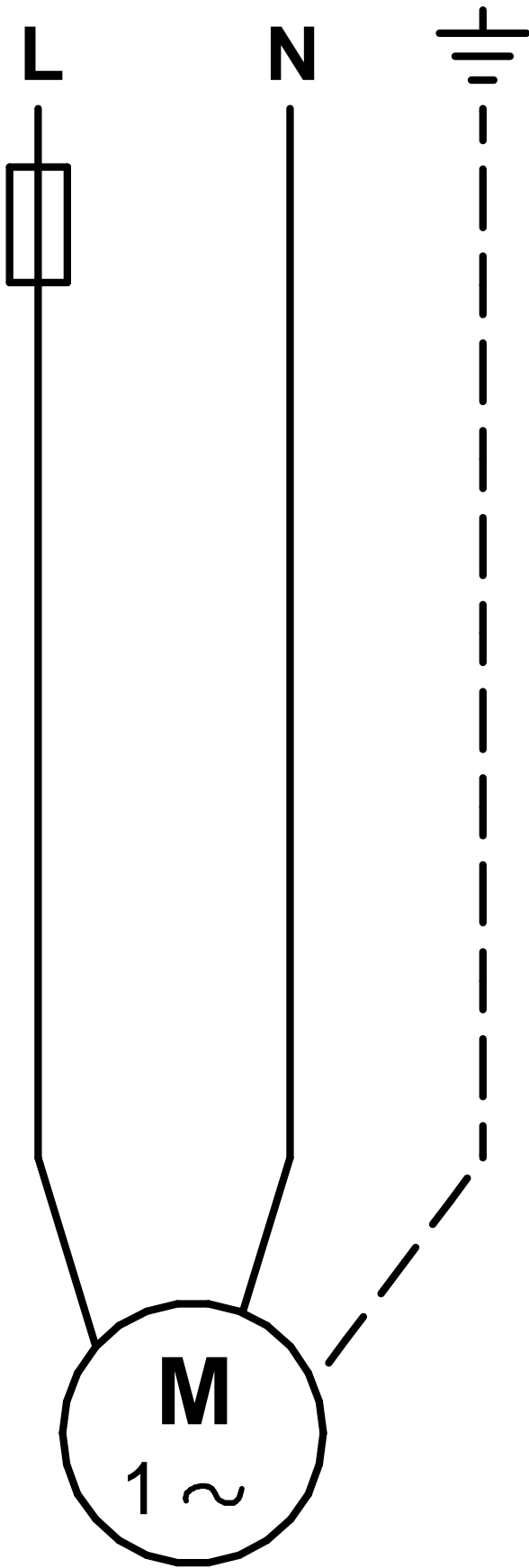


96404183 Unilift AP35.40.06.A1.V





Note! All units are in [mm] unless others are stated.



Note! All units are in [mm] unless others are stated.