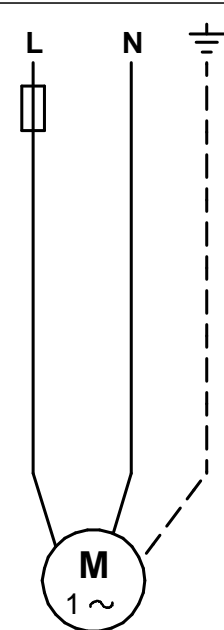
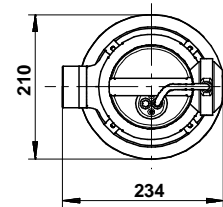
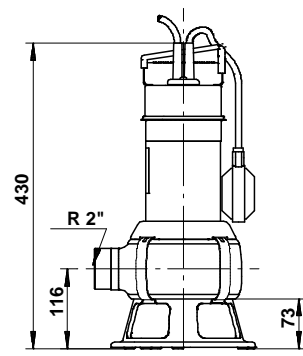
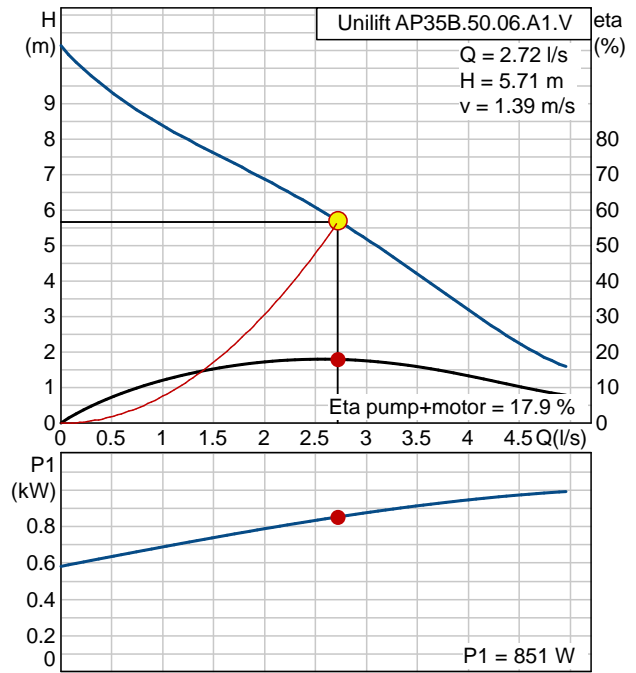


AP35B-50-06-A1 (240V,0.66kW,0.5-4.5L/sec,2-10m)

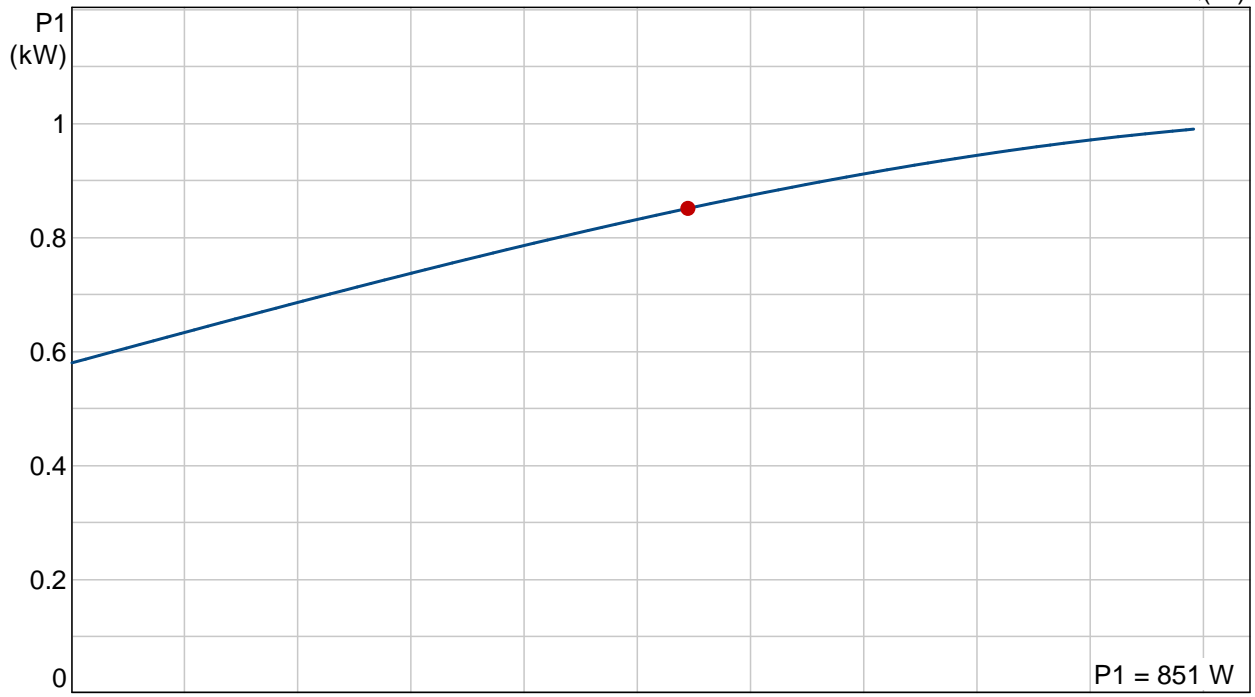
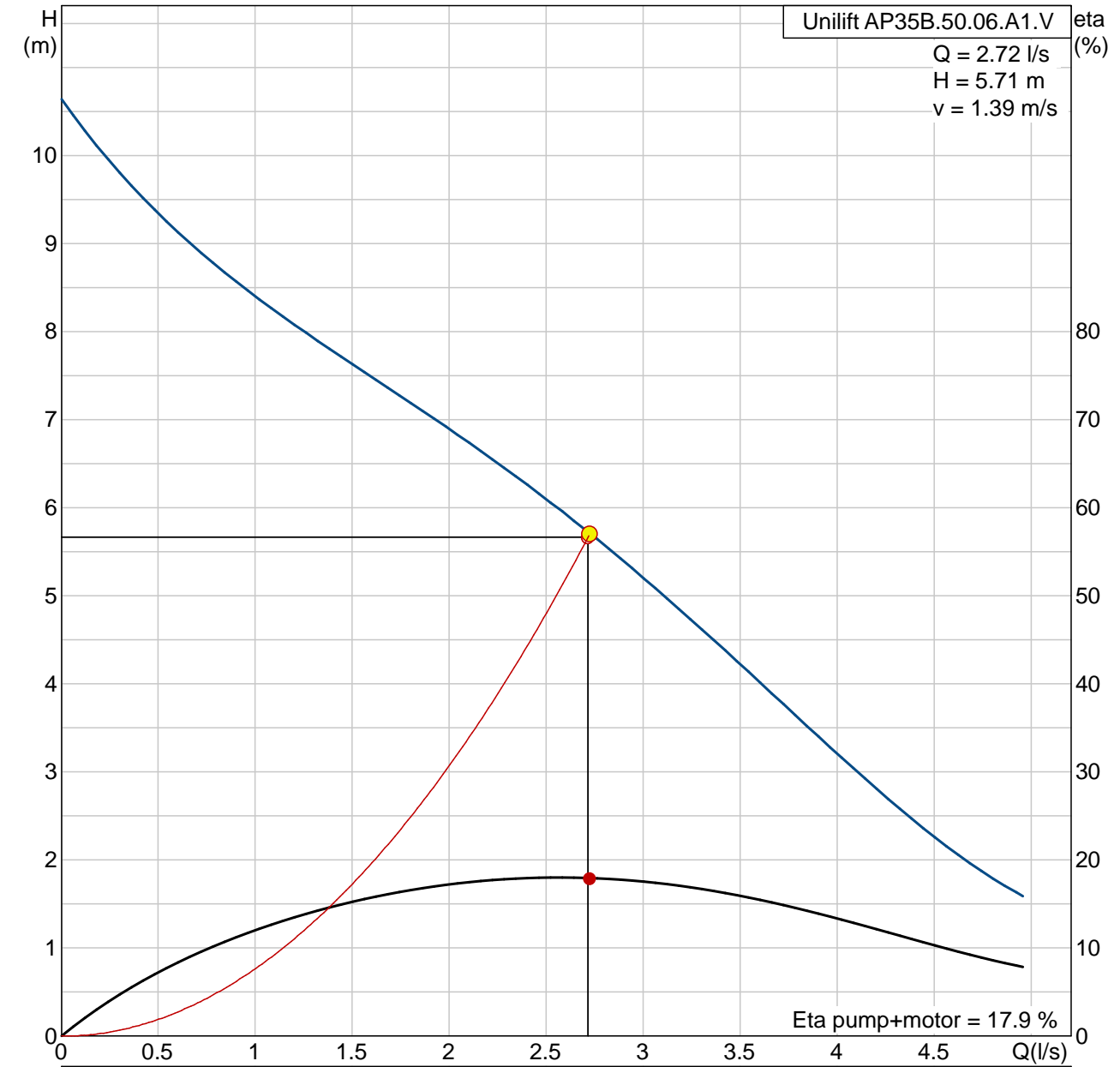
Contents:

Unilift AP35B.50.06.A1.V (96468356)	2
Data sheet incl. curve	2
Pump curve	3
Dimensional drawing	4
Wiring diagram	5

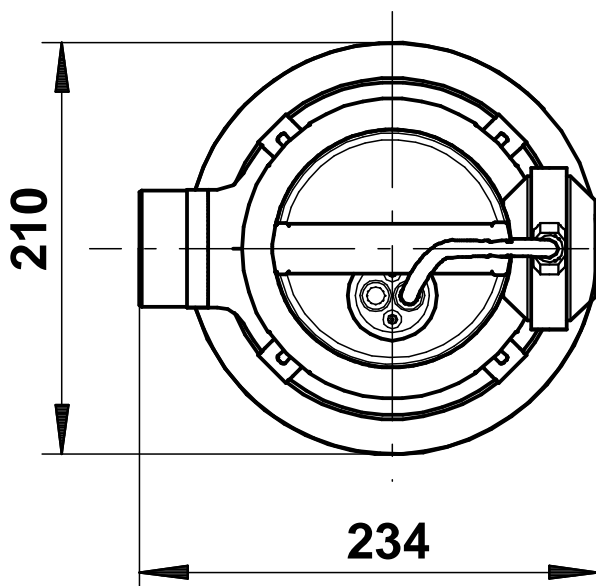
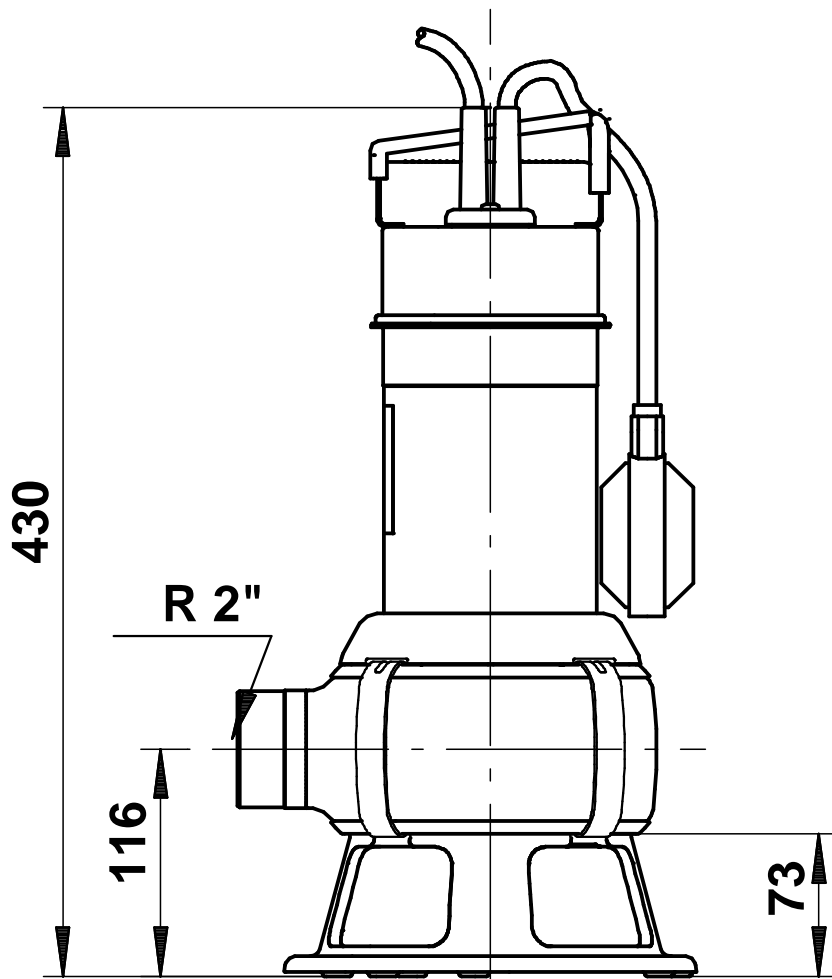
Description	Value
Product name:	Unilift AP35B.50.06.A1.V
Product No:	96468356
EAN number:	5700394943680
Technical:	
Max flow:	18 m ³ /h
Head max:	11 m
Type of impeller:	VORTEX
Maximum particle size:	35 mm
Curve tolerance:	ISO 9906 Annex A
Materials:	
Pump housing:	Stainless steel 1.4301 DIN W.-Nr. 304 AISI
Impeller:	Stainless steel 1.4301 DIN W.-Nr. 304 AISI
Installation:	
Pump outlet:	R 2"
Maximum installation depth:	7 m
Installation:	horizontal or vertical
Liquid:	
Maximum liquid temperature:	40 °C
Electrical data:	
Type of motor:	PSC
Power input - P1:	1 kW
P2:	0.66 kW
Mains frequency:	50 Hz
Rated voltage:	1 x 230 V
Rated current:	4.6 A
Cos phi - power factor:	0,98
Rated speed:	2810 rpm
Capacitor size - run:	16 µF/400 V
Enclosure class (IEC 34-5):	IP68
Insulation class (IEC 85):	F
Motor protec:	CONTACT
Thermal protec:	internal
Length of cable:	10 m
Type of cable plug:	SCHUKO
Controls:	
Level switch:	float switch



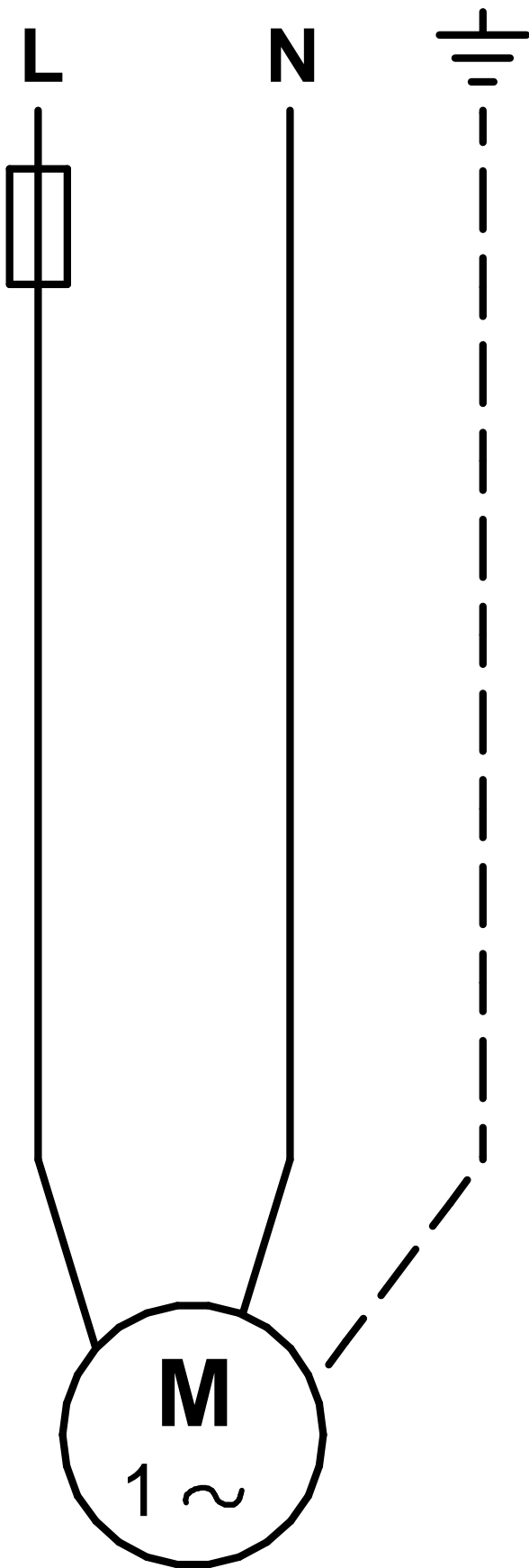
96468356 Unilift AP35B.50.06.A1.V



96468356 Unilift AP35B.50.06.A1.V



Note! All units are in [mm] unless others are stated.



Note! All units are in [mm] unless others are stated.