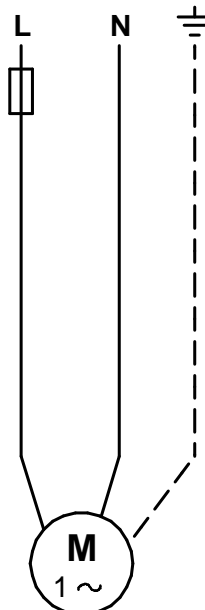
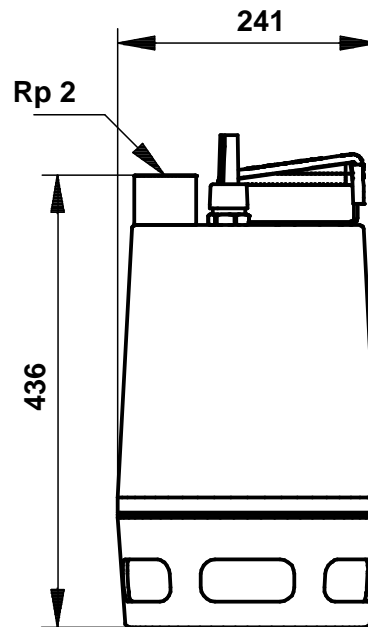
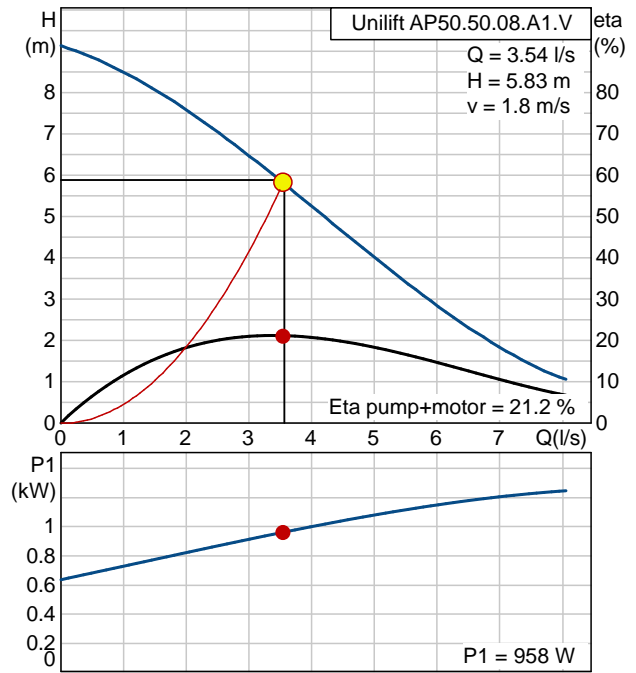


AP50-50-08-A1 (240V,0.8kW,1-7L/sec,1.5-8.5m)

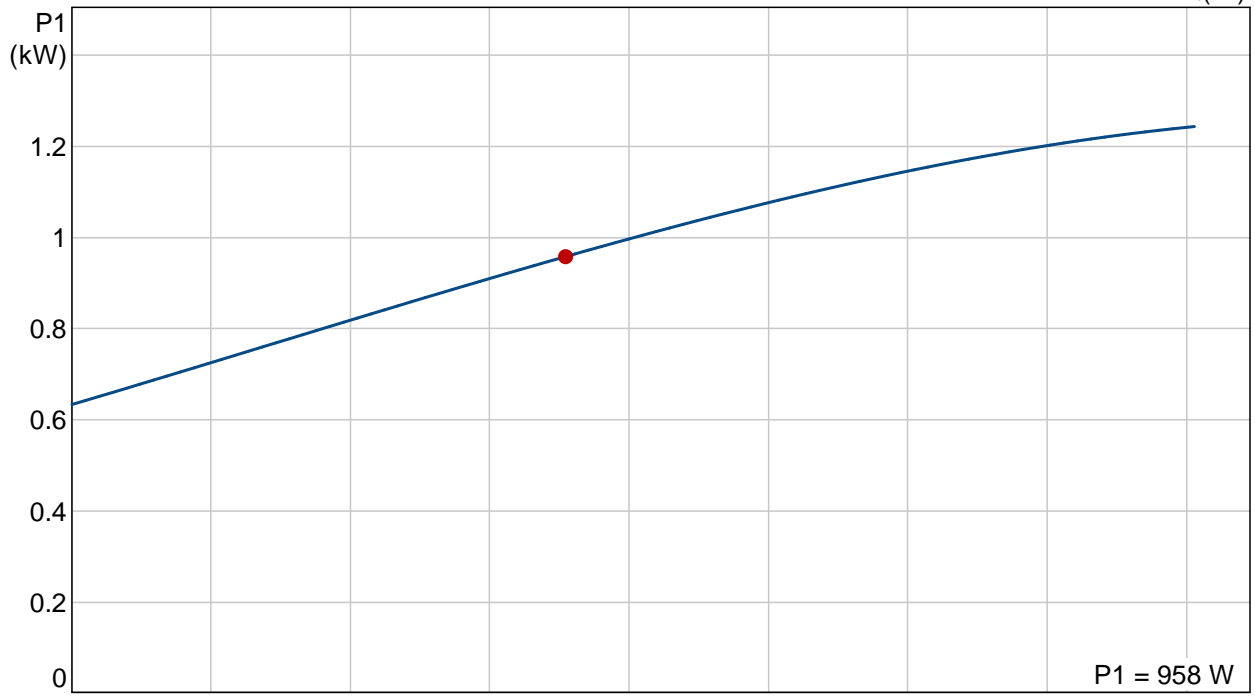
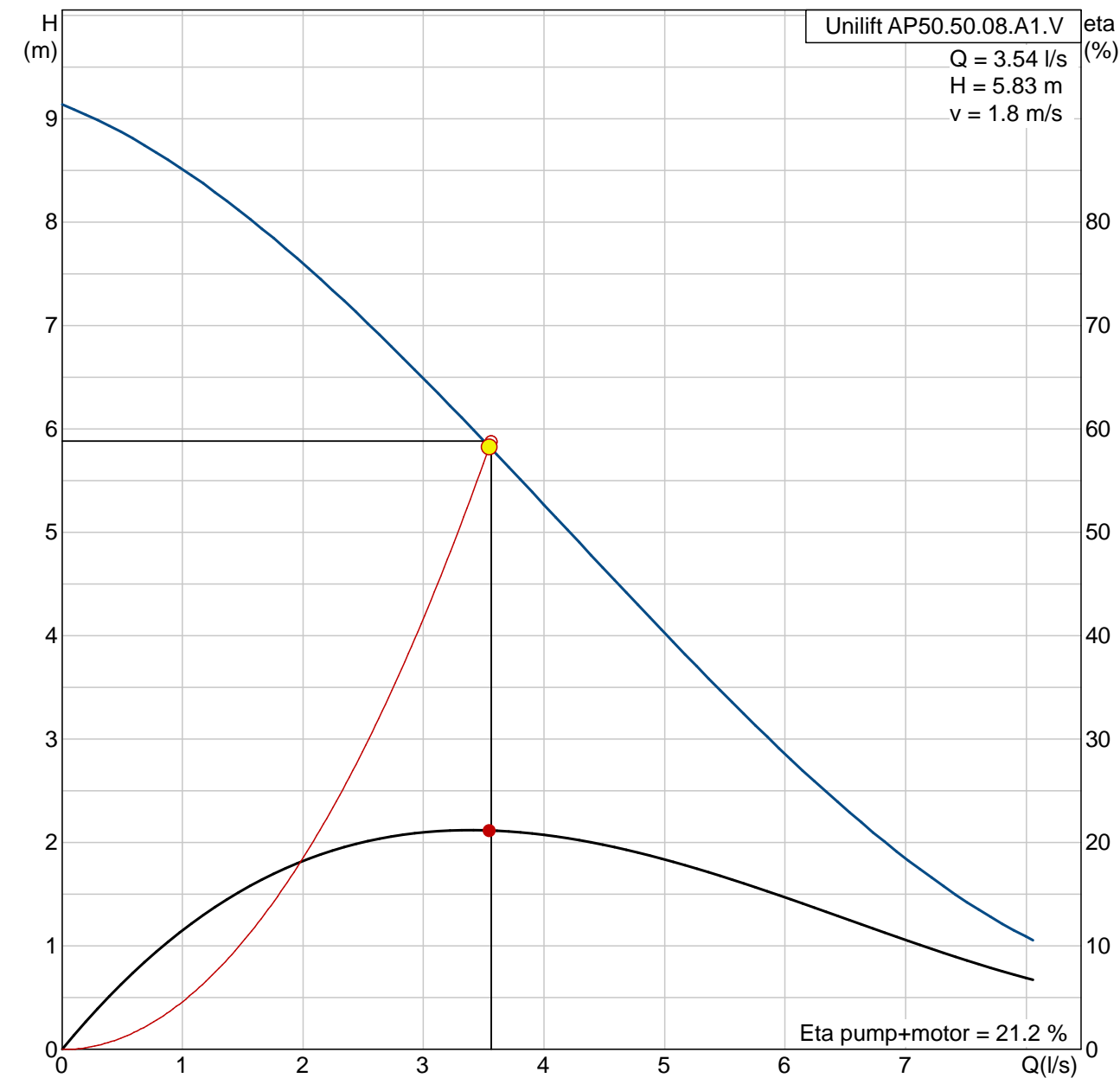
Contents:

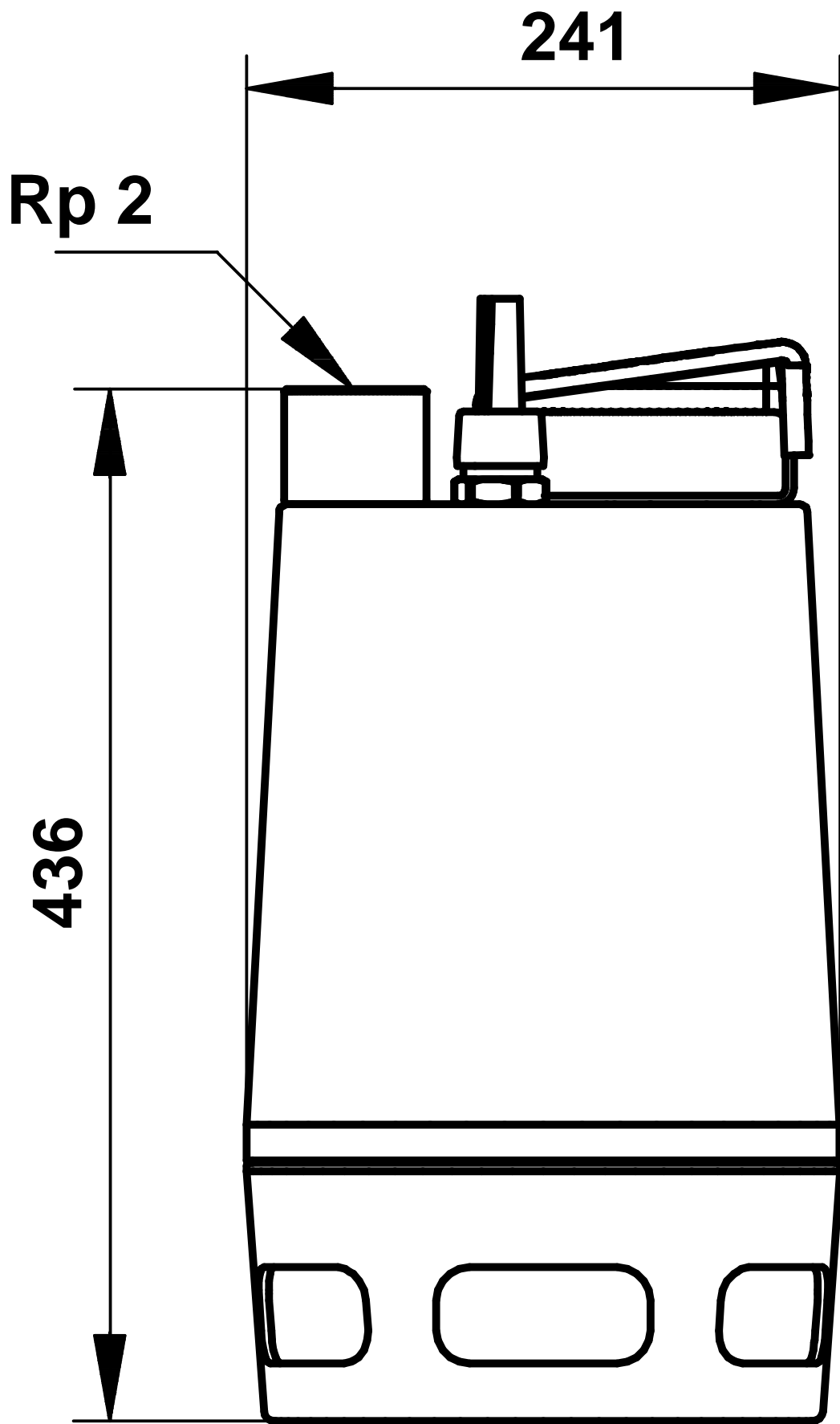
Unilift AP50.50.08.A1.V (96404185)	2
Data sheet incl. curve	2
Pump curve	3
Dimensional drawing	4
Wiring diagram	5

Description	Value
Product name:	Unilift AP50.50.08.A1.V
Product No:	96404185
EAN number:	5700390910419
Technical:	
Max flow:	25 m ³ /h
Head max:	9 m
Type of impeller:	VORTEX
Maximum particle size:	50 mm
Curve tolerance:	ISO 9906 Annex A
Materials:	
Pump housing:	Stainless steel 1.4301 DIN W.-Nr. 304 AISI
Impeller:	Stainless steel 1.4301 DIN W.-Nr. 304 AISI
Installation:	
Pump outlet:	Rp 2
Maximum installation depth:	10 m
Inst dry/wet:	D/S
Installation:	horizontal or vertical
Liquid:	
Liquid temperature range:	0 .. 55 °C
Electrical data:	
Type of motor:	PSC
Power input - P1:	1.3 kW
P2:	0.8 kW
Mains frequency:	50 Hz
Rated voltage:	1 x 230 V
Rated current:	5.9 A
Cos phi - power factor:	0,99
Rated speed:	2790 rpm
Capacitor size - run:	16 µF/400 V
Enclosure class (IEC 34-5):	IP68
Insulation class (IEC 85):	F
Motor protec:	CONTACT
Thermal protec:	internal
Length of cable:	10 m
Type of cable plug:	NONE
Controls:	
Level switch:	float switch
Others:	
Net weight:	15.9 kg
Gross weight:	16.7 kg

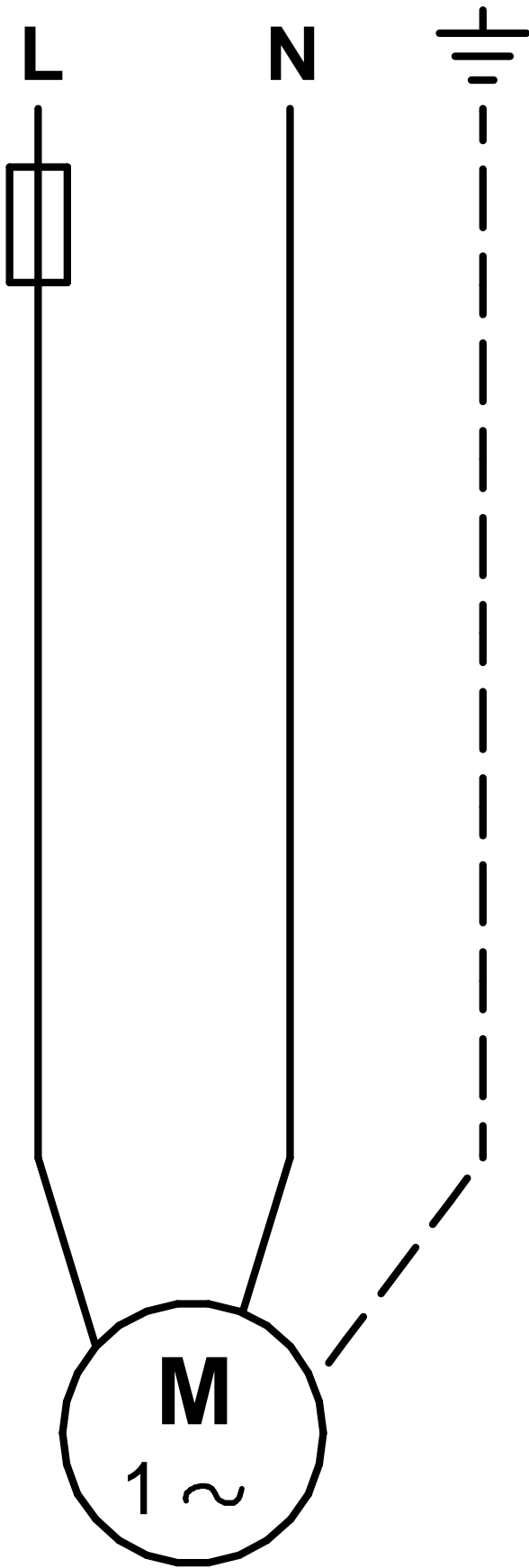


96404185 Unilift AP50.50.08.A1.V





Note! All units are in [mm] unless others are stated.



Note! All units are in [mm] unless others are stated.