


AP50B-50-11-3 (415V, 1.31kW, 1-8L/sec, 4-13m)

Contents:

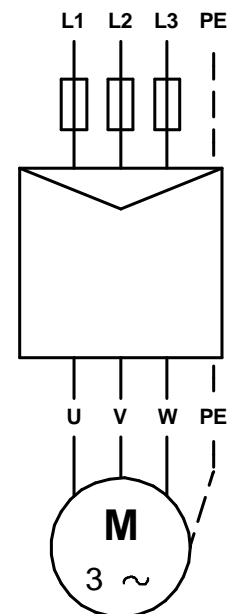
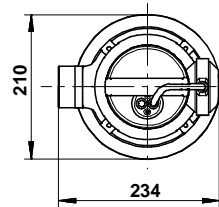
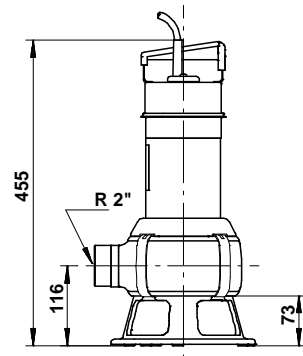
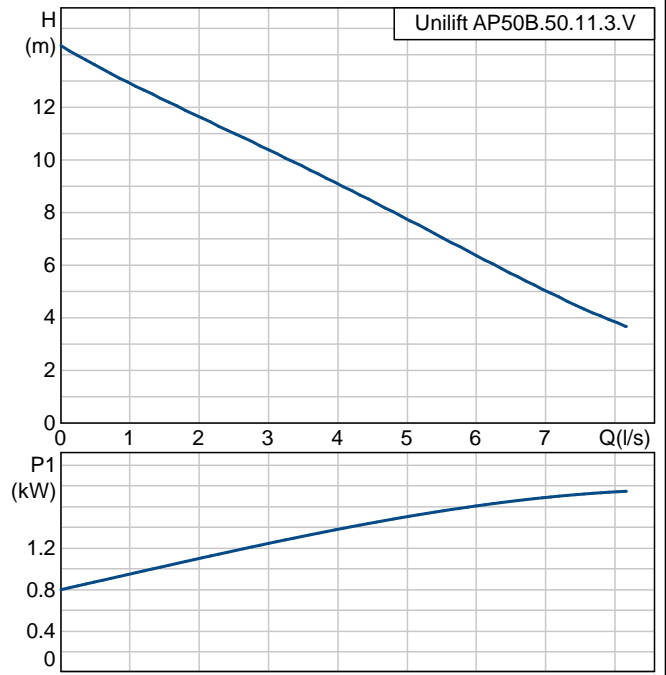
| | |
|------------------------------------------|---|
| Unilift AP50B.50.11.3.V (96468195) | 2 |
| Quotation text | 2 |
| Quotation text incl. photo | 3 |
| Data sheet incl. curve | 5 |
| Pump curve | 6 |
| Dimensional drawing | 7 |
| Wiring diagram | 8 |

| Position | Qty. | Description | Single Price |
|----------|------|------------------------------------------------------------------------------------------------------------------------------------------------------------------------------------------------------------------------------------------------------------------------------------------------------------------------------------------------------------------------------------------------------------------------------------------------------------------------------------------------------------------------------------------------------------------------------------------------------------------------------------------------------------------------------------------------------------------------------------------------------------------------------------------------------------------------------------------------------------------------------------------------------------------------------------------------------------------------------------------------------------------------------------------------------------------------------------------------------------------------------------------------------------------------------------------------------------------------------------------------------------------------------------------------------------------------------------------------------------------------------------------------------------------------------------------------------------------------------------------------------------------------------------------------------------------------------------------------------------------------------------------------------------------|------------------|
| | 1 | <p>Unilift AP50B.50.11.3.V Product No.: 96468195 Submersible effluent pump</p> <p>Vertical single-stage stainless steel submersible pump with integrated submersible 3-phase motor.</p> <p>The pump is fitted with ring stand and carrying handle and is supplied with a 10 m mains cable.</p> <p>The impeller is a VORTEX impeller for 50 mm free passage suitable for pumping surface water, groundwater, wastewater and similar.</p> <p>The pump has a double shaft seal and an intermediate oil chamber pre-filled with non-toxic special oil.</p> <p>The motor is insulation class F and has long-life deep-groove greased-for-life ball bearings.</p> <p>The pump has R 2" discharge port and is ready for installation either free-standing or on an auto-coupling system.</p> <p>Liquid: Maximum liquid temperature: 40 °C</p> <p>Technical: Type of impeller: VORTEX Maximum particle size: 50 mm Curve tolerance: ISO 9906 Annex A</p> <p>Materials: Pump housing: Stainless steel 1.4301 DIN W.-Nr. 304 AISI Impeller: Stainless steel 1.4301 DIN W.-Nr. 304 AISI</p> <p>Installation: Pump outlet: R 2" Maximum installation depth: 7 m</p> <p>Electrical data: Power input - P1: 1.75 kW Mains frequency: 50 Hz Rated voltage: 3 x 400 V Rated current: 2.81 A Cos phi - power factor: 0,90 Rated speed: 2785 rpm Enclosure class (IEC 34-5): IP68 Insulation class (IEC 85): F Length of cable: 10 m Type of cable plug: NONE</p> <p>Others: Net weight: 11.3 kg</p> | Price on request |

| Position | Qty. | Description | Single Price |
|----------|------|--------------------------------------------------------------------------------------------------------------------------------------------------------------------------------------------------------------------------------------------------------------------------------------------------------------------------------------------------------------------------------------------------------------------------------------------------------------------------------------------------------------------------------------------------------------------------------------------------------------------------------------------------------------------------------------------------------------------------------------------------------------------------------------------------------------------------------------------------------------------------------------------------------------------------------------------------------------------------------------------------------------------------------------------------------------------------------------------------------------------------------------------------------------------------------------------------------------------------------------------------------------------------------------------------------------------------------------------------------------------------------------------------------------------------------------------------------------------------------------------------------------------------------------------------------------------------------------------------------------------------------------------------------------------------------------------------------------------------------------------------------------------------------------------------------------------------------------------------------------------------------------------------------------------------------------------------------------------------------------------------------------------------------------------------------------------------------------------------------------------------------------------------------------------------------------------------------------------------------------------------------------------------------------------------------------------------------------|------------------|
| | 1 | <p data-bbox="296 163 563 192">Unilift AP50B.50.11.3.V</p>  <p data-bbox="683 589 1219 618">Note! Product picture may differ from actual product</p> <p data-bbox="296 645 588 703">Product No.: 96468195 Submersible effluent pump</p> <p data-bbox="296 730 815 815">Vertical single-stage stainless steel submersible pump with integrated submersible 3-phase motor.</p> <p data-bbox="296 846 796 931">The pump is fitted with ring stand and carrying handle and is supplied with a 10 m mains cable.</p> <p data-bbox="296 958 775 1072">The impeller is a VORTEX impeller for 50 mm free passage suitable for pumping surface water, groundwater, wastewater and similar.</p> <p data-bbox="296 1104 820 1189">The pump has a double shaft seal and an intermediate oil chamber pre-filled with non-toxic special oil.</p> <p data-bbox="296 1216 812 1279">The motor is insulation class F and has long-life deep-groove greased-for-life ball bearings.</p> <p data-bbox="296 1305 807 1391">The pump has R 2" discharge port and is ready for installation either free-standing or on an auto-coupling system.</p> <p data-bbox="296 1417 379 1447">Liquid:</p> <p data-bbox="296 1447 722 1476">Maximum liquid temperature: 40 °C</p> <p data-bbox="296 1503 419 1532">Technical:</p> <p data-bbox="296 1532 762 1561">Type of impeller: VORTEX</p> <p data-bbox="296 1561 735 1590">Maximum particle size: 50 mm</p> <p data-bbox="296 1590 861 1619">Curve tolerance: ISO 9906 Annex A</p> <p data-bbox="296 1646 411 1675">Materials:</p> <p data-bbox="296 1675 861 1760">Pump housing: Stainless steel 1.4301 DIN W.-Nr. 304 AISI</p> <p data-bbox="296 1760 861 1845">Impeller: Stainless steel 1.4301 DIN W.-Nr. 304 AISI</p> <p data-bbox="296 1872 435 1901">Installation:</p> <p data-bbox="296 1901 707 1930">Pump outlet: R 2"</p> <p data-bbox="296 1930 703 1960">Maximum installation depth: 7 m</p> <p data-bbox="296 1986 472 2016">Electrical data:</p> <p data-bbox="296 2016 754 2045">Power input - P1: 1.75 kW</p> <p data-bbox="296 2045 727 2074">Mains frequency: 50 Hz</p> <p data-bbox="296 2074 762 2103">Rated voltage: 3 x 400 V</p> | Price on request |

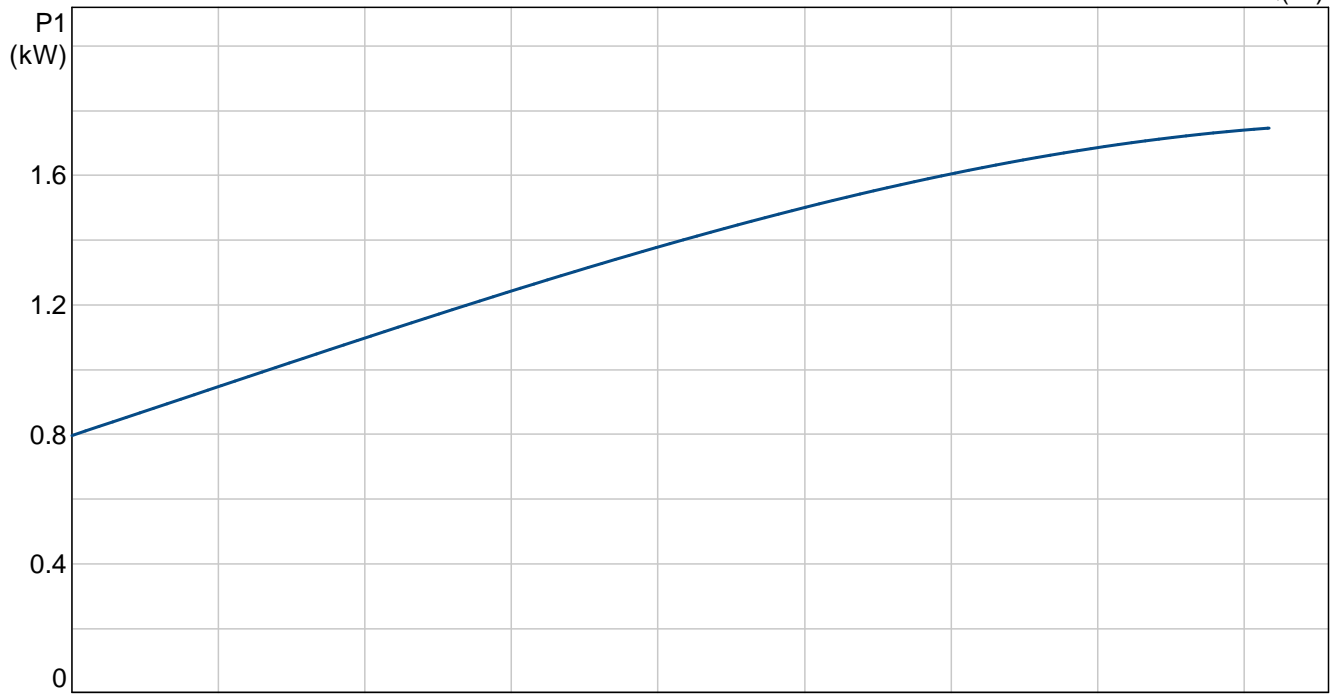
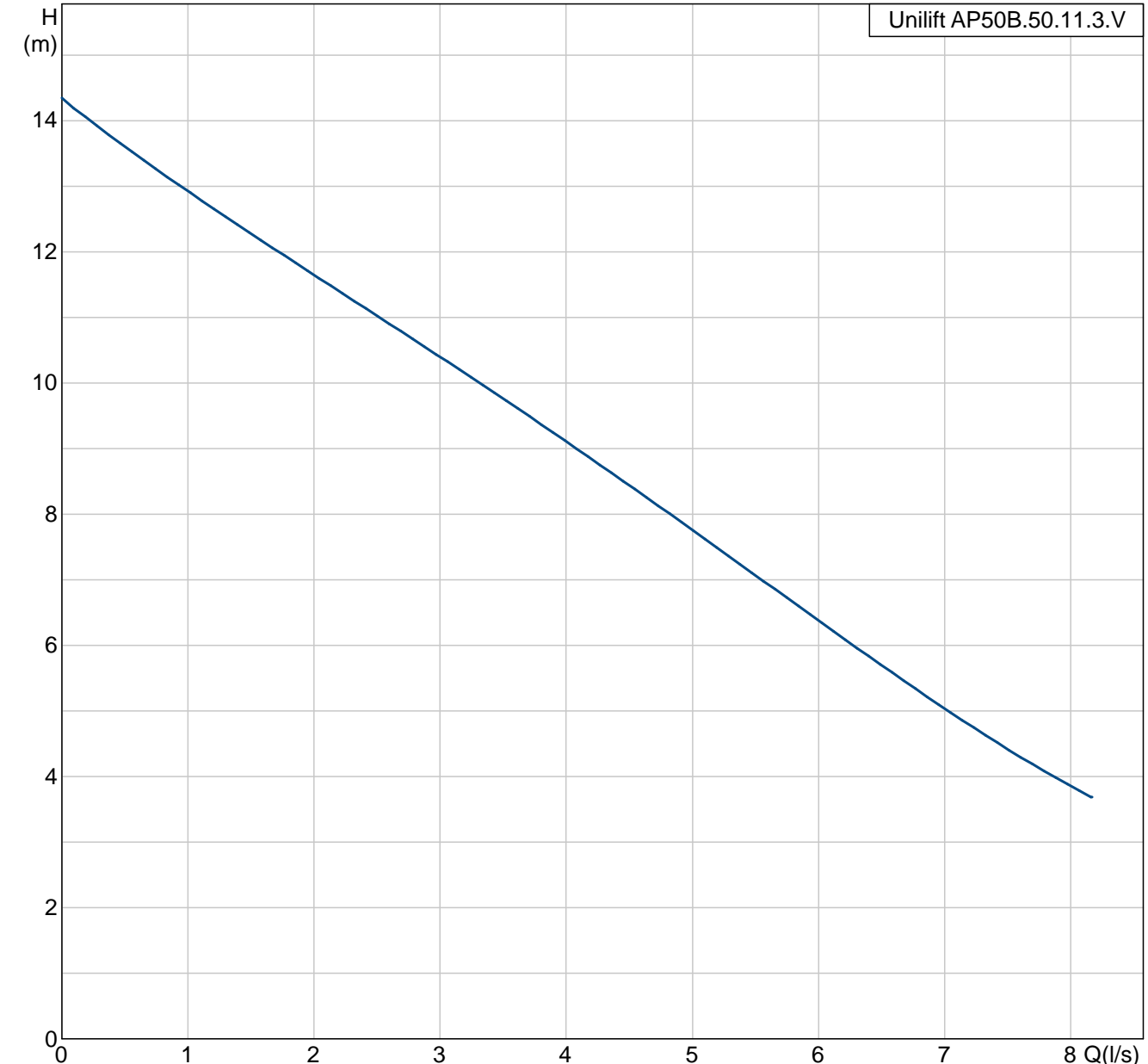
| Position | Qty. | Description | Single Price |
|----------|------|---------------------------------------------------------------------------------------------------------------------------------------------------------------------------------------------------------|--------------|
| | | Rated current: 2.81 A Cos phi - power factor: 0,90 Rated speed: 2785 rpm Enclosure class (IEC 34-5): IP68 Insulation class (IEC 85): F Length of cable: 10 m Type of cable plug: NONE | |
| | | Others: Net weight: 11.3 kg | |

| Description | Value |
|-----------------------------|--------------------------------------------------|
| Product name: | Unilift AP50B.50.11.3.V |
| Product No: | 96468195 |
| EAN number: | 5700394936705 |
| Technical: | |
| Max flow: | 29 m ³ /h |
| Head max: | 14 m |
| Type of impeller: | VORTEX |
| Maximum particle size: | 50 mm |
| Curve tolerance: | ISO 9906 Annex A |
| Materials: | |
| Pump housing: | Stainless steel 1.4301 DIN W.-Nr. 304 AISI |
| Impeller: | Stainless steel 1.4301 DIN W.-Nr. 304 AISI |
| Installation: | |
| Pump outlet: | R 2" |
| Maximum installation depth: | 7 m |
| Installation: | horizontal or vertical |
| Liquid: | |
| Maximum liquid temperature: | 40 °C |
| Electrical data: | |
| Power input - P1: | 1.75 kW |
| P2: | 1.31 kW |
| Mains frequency: | 50 Hz |
| Rated voltage: | 3 x 400 V |
| Rated current: | 2.81 A |
| Cos phi - power factor: | 0,90 |
| Rated speed: | 2785 rpm |
| Enclosure class (IEC 34-5): | IP68 |
| Insulation class (IEC 85): | F |
| Motor protec: | NONE |
| Thermal protec: | external |
| Length of cable: | 10 m |
| Type of cable plug: | NONE |
| Others: | |
| Net weight: | 11.3 kg |

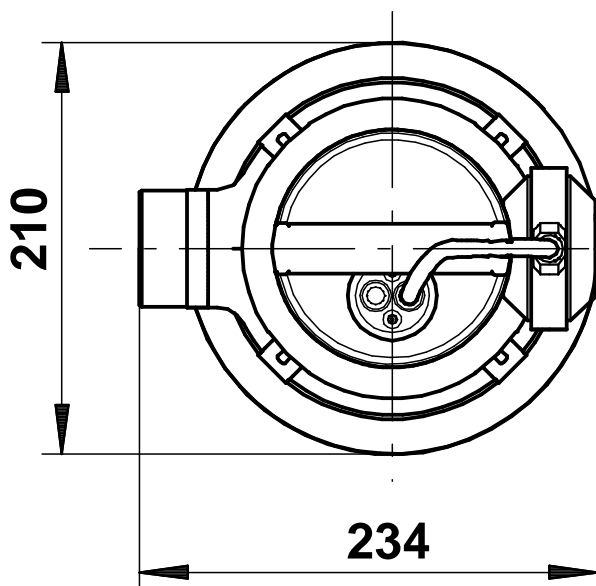
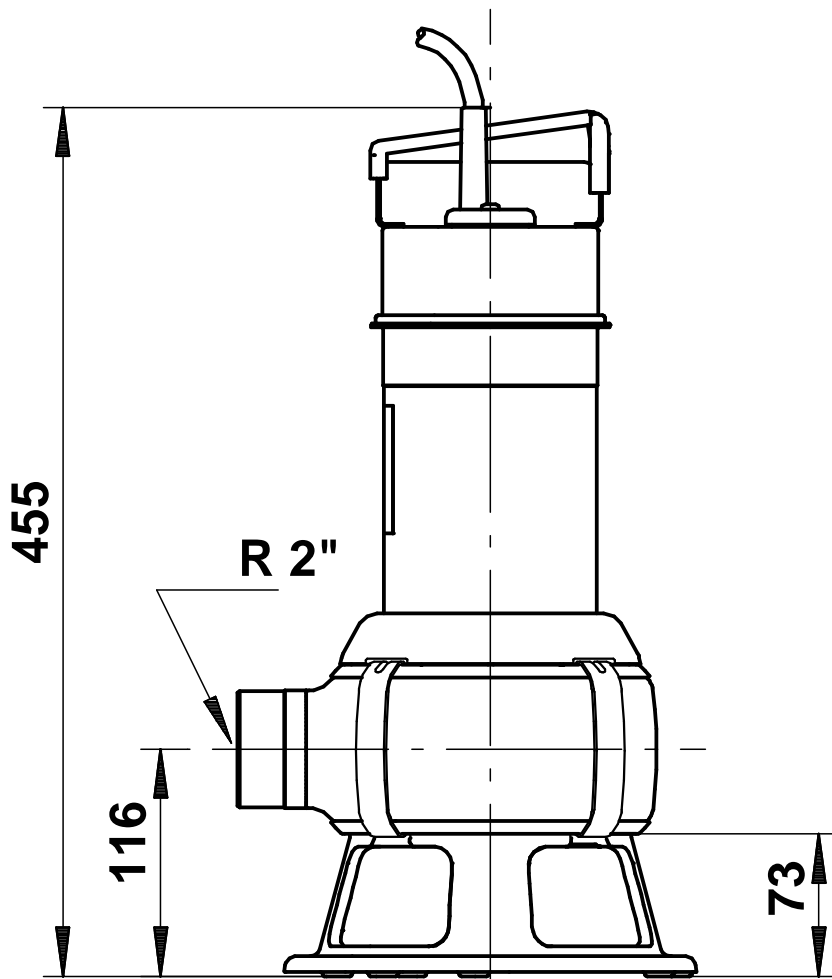


96468195 Unilift AP50B.50.11.3.V

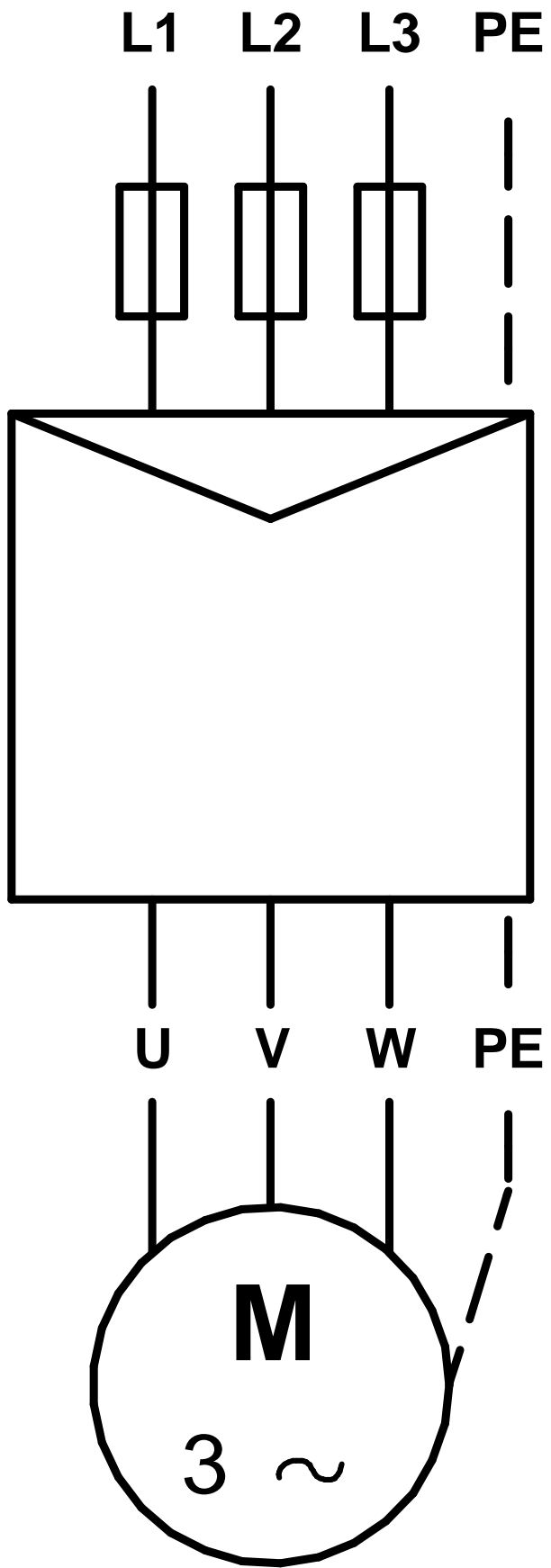
Unilift AP50B.50.11.3.V



96468195 Unilift AP50B.50.11.3.V



Note! All units are in [mm] unless others are stated.



Note! All units are in [mm] unless others are stated.