


# AP50B-50-15-3 (415V, 1.5kW, 1-8L/sec, 5-17m)

## Contents:

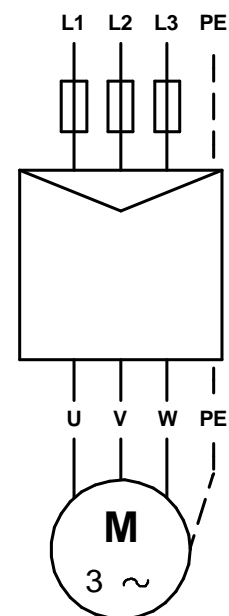
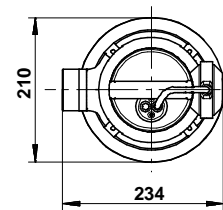
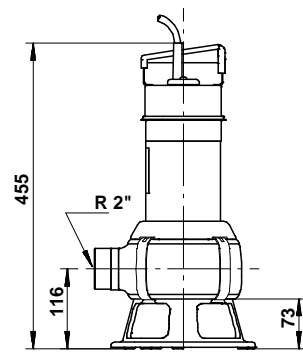
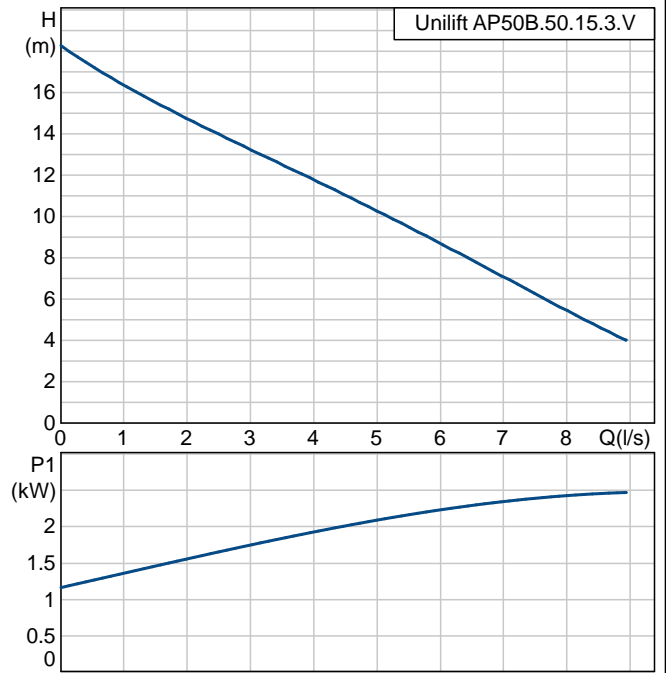
Unilift AP50B.50.15.3.V (96468196) .....	2
Quotation text .....	2
Quotation text incl. photo .....	3
Data sheet incl. curve .....	5
Pump curve .....	6
Dimensional drawing .....	7
Wiring diagram .....	8

Position	Qty.	Description	Single Price
	1	<p><b>Unilift AP50B.50.15.3.V</b>  Product No.: 96468196  Submersible effluent pump</p> <p>Vertical single-stage stainless steel submersible pump with integrated submersible 3-phase motor.</p> <p>The pump is fitted with ring stand and carrying handle and is supplied with a 10 m mains cable.</p> <p>The impeller is a VORTEX impeller for 50 mm free passage suitable for pumping surface water, groundwater, wastewater and similar.</p> <p>The pump has a double shaft seal and an intermediate oil chamber pre-filled with non-toxic special oil.</p> <p>The motor is insulation class F and has long-life deep-groove greased-for-life ball bearings.</p> <p>The pump has R 2" discharge port and is ready for installation either free-standing or on an auto-coupling system.</p> <p><b>Liquid:</b>  Maximum liquid temperature: 40 °C</p> <p><b>Technical:</b>  Type of impeller: VORTEX  Maximum particle size: 50 mm  Curve tolerance: ISO 9906 Annex A</p> <p><b>Materials:</b>  Pump housing: Stainless steel  1.4301 DIN W.-Nr.  304 AISI  Impeller: Stainless steel  1.4301 DIN W.-Nr.  304 AISI</p> <p><b>Installation:</b>  Pump outlet: R 2"  Maximum installation depth: 7 m</p> <p><b>Electrical data:</b>  Power input - P1: 2.15 kW  Mains frequency: 50 Hz  Rated voltage: 3 x 400 V  Rated current: 3.7 A  Cos phi - power factor: 0,85  Rated speed: 2785 rpm  Enclosure class (IEC 34-5): IP68  Insulation class (IEC 85): F  Length of cable: 10 m  Type of cable plug: NONE</p> <p><b>Others:</b>  Net weight: 11.5 kg</p>	Price on request

Position	Qty.	Description	Single Price
	1	<p data-bbox="296 159 563 188"><b>Unilift AP50B.50.15.3.V</b></p>  <p data-bbox="683 589 1217 616"><b>Note! Product picture may differ from actual product</b></p> <p data-bbox="296 645 587 701">Product No.: 96468196 Submersible effluent pump</p> <p data-bbox="296 730 815 813">Vertical single-stage stainless steel submersible pump with integrated submersible 3-phase motor.</p> <p data-bbox="296 844 794 927">The pump is fitted with ring stand and carrying handle and is supplied with a 10 m mains cable.</p> <p data-bbox="296 958 775 1070">The impeller is a VORTEX impeller for 50 mm free passage suitable for pumping surface water, groundwater, wastewater and similar.</p> <p data-bbox="296 1102 820 1187">The pump has a double shaft seal and an intermediate oil chamber pre-filled with non-toxic special oil.</p> <p data-bbox="296 1216 812 1274">The motor is insulation class F and has long-life deep-groove greased-for-life ball bearings.</p> <p data-bbox="296 1303 807 1386">The pump has R 2" discharge port and is ready for installation either free-standing or on an auto-coupling system.</p> <p data-bbox="296 1415 379 1442"><b>Liquid:</b></p> <p data-bbox="296 1447 722 1473">Maximum liquid temperature: 40 °C</p> <p data-bbox="296 1503 419 1529"><b>Technical:</b></p> <p data-bbox="296 1534 762 1561">Type of impeller: VORTEX</p> <p data-bbox="296 1565 735 1592">Maximum particle size: 50 mm</p> <p data-bbox="296 1597 861 1624">Curve tolerance: ISO 9906 Annex A</p> <p data-bbox="296 1653 411 1680"><b>Materials:</b></p> <p data-bbox="296 1684 861 1767">Pump housing: Stainless steel 1.4301 DIN W.-Nr. 304 AISI</p> <p data-bbox="296 1771 861 1854">Impeller: Stainless steel 1.4301 DIN W.-Nr. 304 AISI</p> <p data-bbox="296 1883 435 1910"><b>Installation:</b></p> <p data-bbox="296 1915 707 1942">Pump outlet: R 2"</p> <p data-bbox="296 1946 703 1973">Maximum installation depth: 7 m</p> <p data-bbox="296 2002 472 2029"><b>Electrical data:</b></p> <p data-bbox="296 2033 754 2060">Power input - P1: 2.15 kW</p> <p data-bbox="296 2065 727 2092">Mains frequency: 50 Hz</p> <p data-bbox="296 2096 762 2123">Rated voltage: 3 x 400 V</p>	Price on request

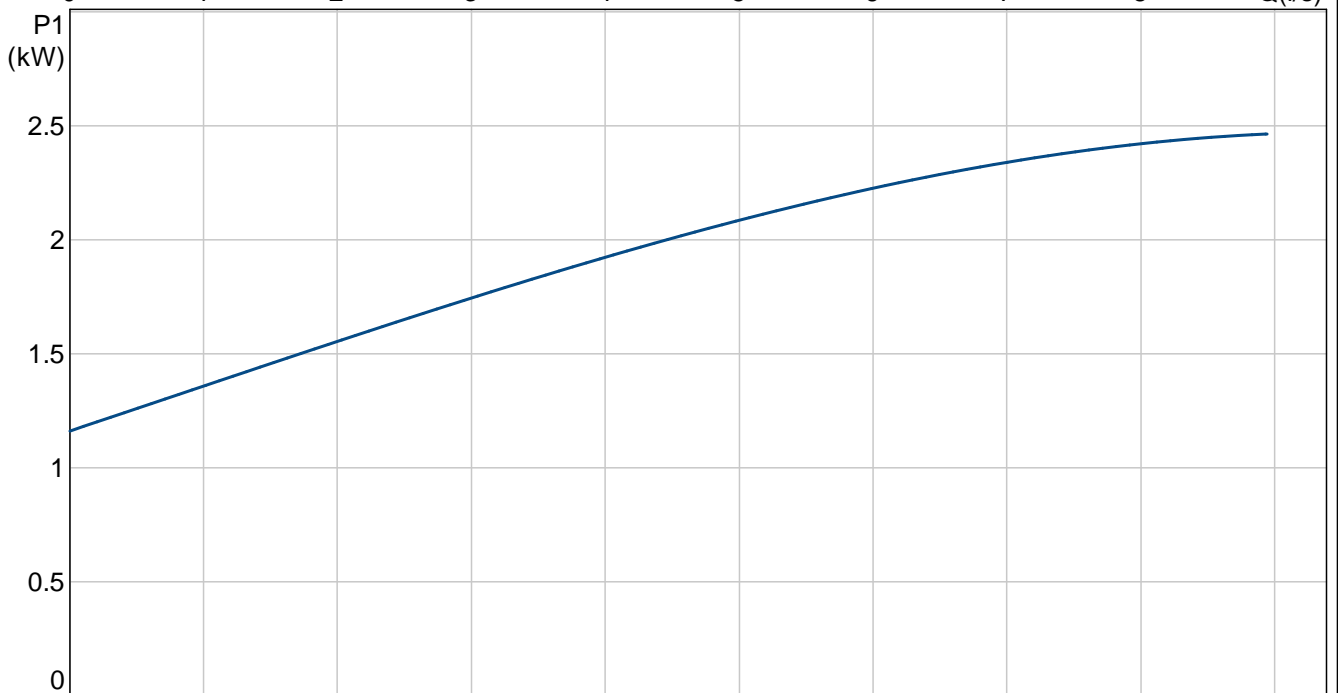
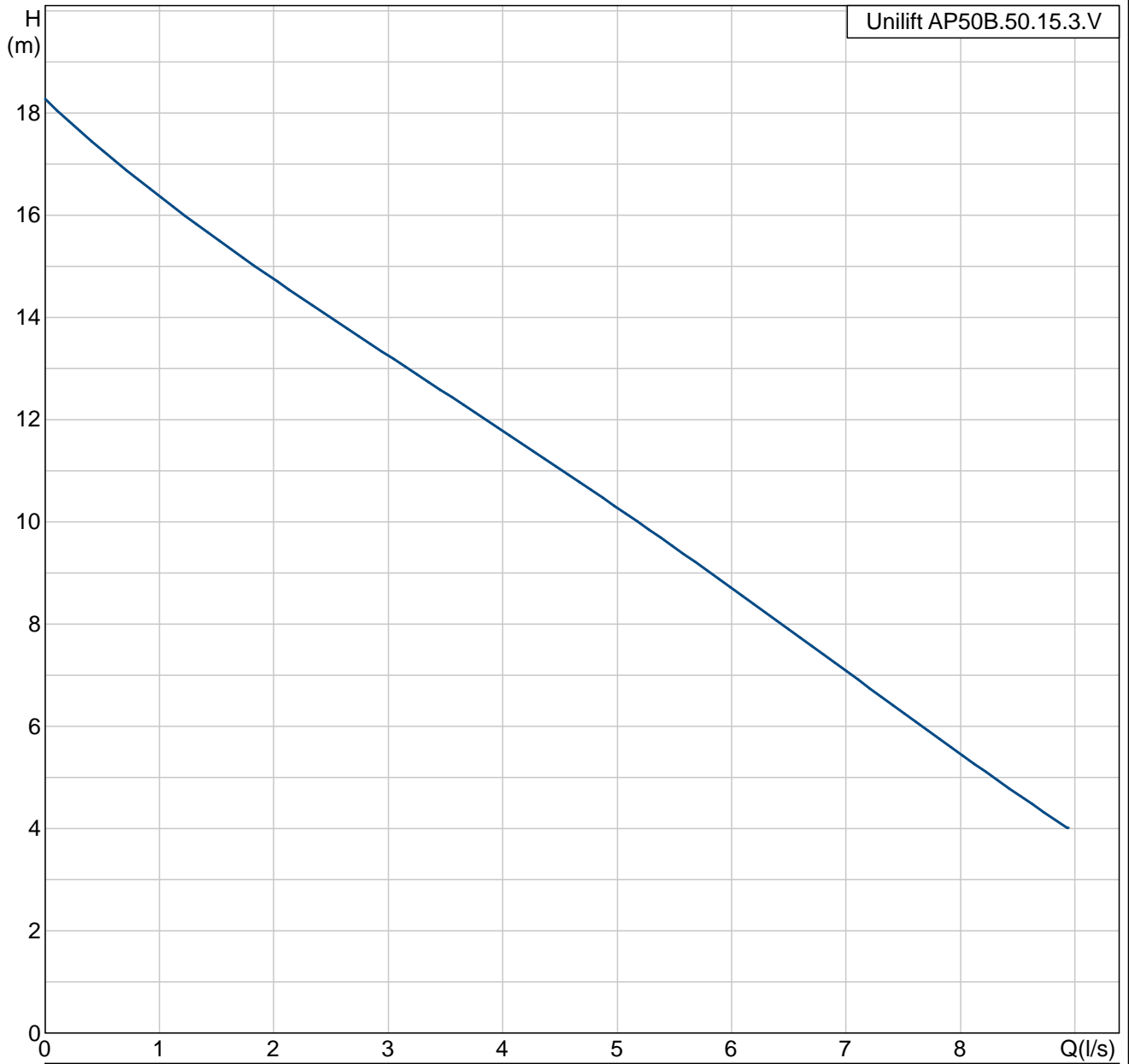
Position	Qty.	Description	Single Price
		Rated current: 3.7 A Cos phi - power factor: 0,85 Rated speed: 2785 rpm Enclosure class (IEC 34-5): IP68 Insulation class (IEC 85): F Length of cable: 10 m Type of cable plug: NONE	
		<b>Others:</b> Net weight: 11.5 kg	

Description	Value
Product name:	Unilift AP50B.50.15.3.V
Product No:	96468196
EAN number:	5700394936712
Technical:	
Max flow:	31 m <sup>3</sup> /h
Head max:	17 m
Type of impeller:	VORTEX
Maximum particle size:	50 mm
Curve tolerance:	ISO 9906 Annex A
Materials:	
Pump housing:	Stainless steel 1.4301 DIN W.-Nr. 304 AISI
Impeller:	Stainless steel 1.4301 DIN W.-Nr. 304 AISI
Installation:	
Pump outlet:	R 2"
Maximum installation depth:	7 m
Installation:	horizontal or vertical
Liquid:	
Maximum liquid temperature:	40 °C
Electrical data:	
Power input - P1:	2.15 kW
P2:	1.5 kW
Mains frequency:	50 Hz
Rated voltage:	3 x 400 V
Rated current:	3.7 A
Cos phi - power factor:	0,85
Rated speed:	2785 rpm
Enclosure class (IEC 34-5):	IP68
Insulation class (IEC 85):	F
Motor protec:	NONE
Thermal protec:	external
Length of cable:	10 m
Type of cable plug:	NONE
Others:	
Net weight:	11.5 kg

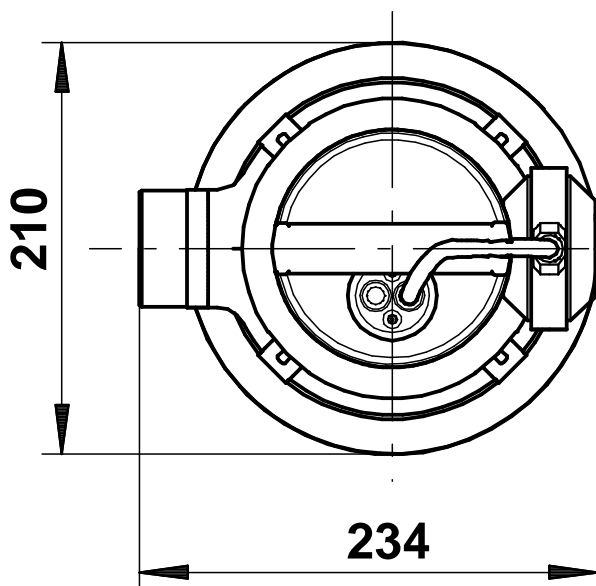
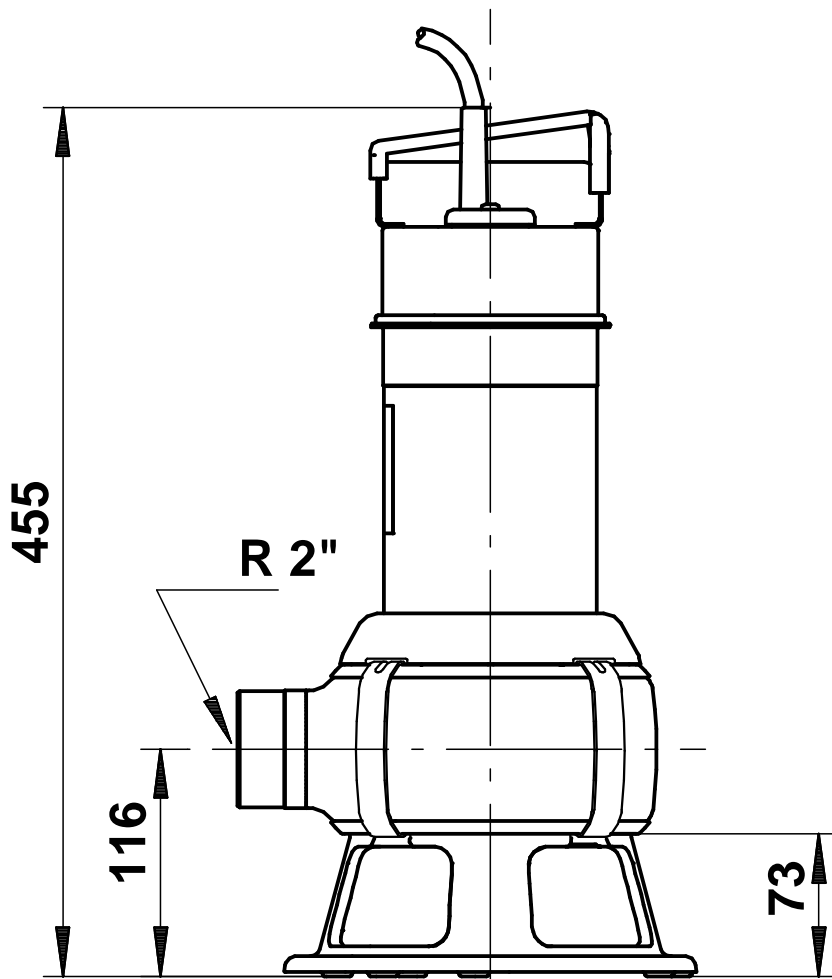


96468196 Unilift AP50B.50.15.3.V

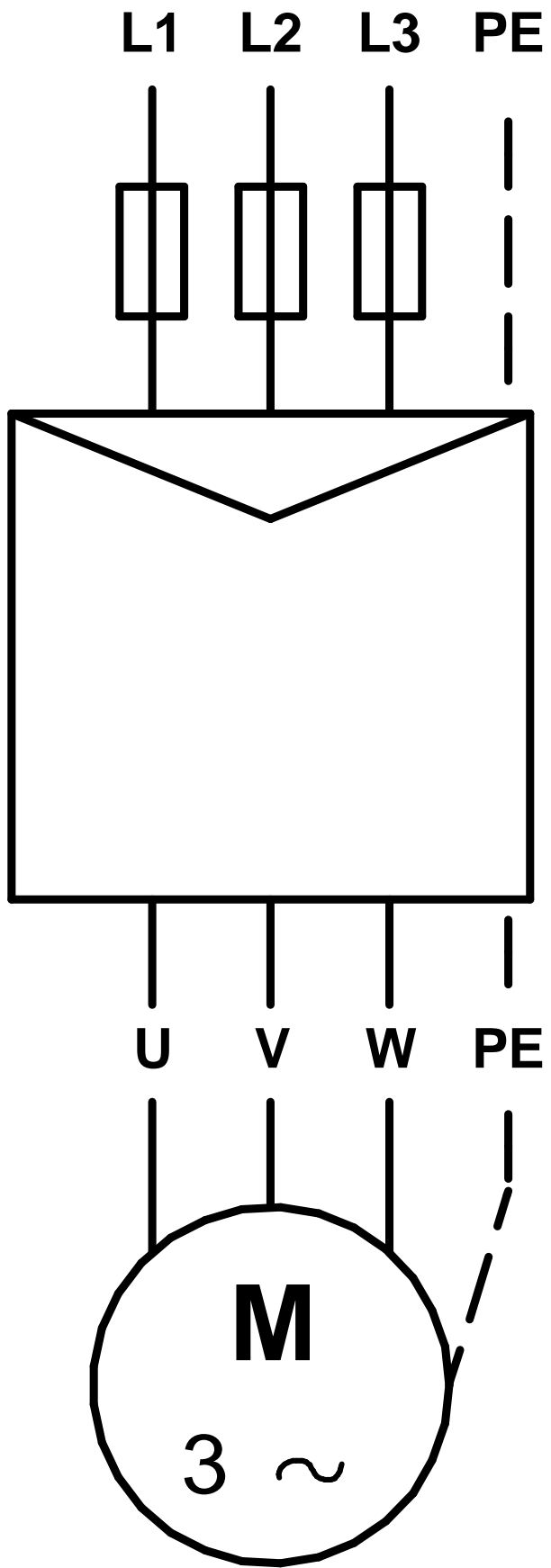
Unilift AP50B.50.15.3.V



96468196 Unilift AP50B.50.15.3.V



Note! All units are in [mm] unless others are stated.



Note! All units are in [mm] unless others are stated.