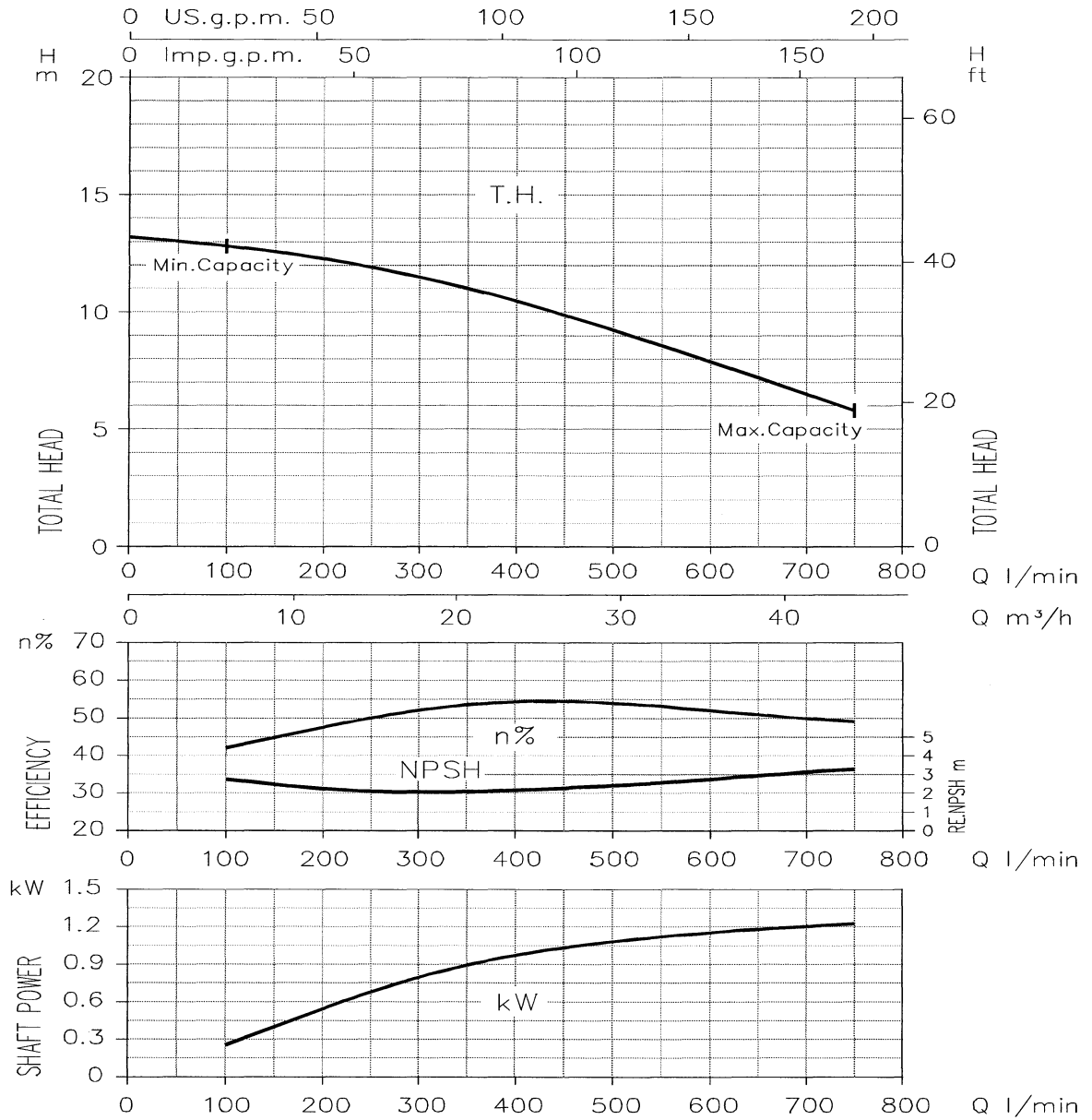
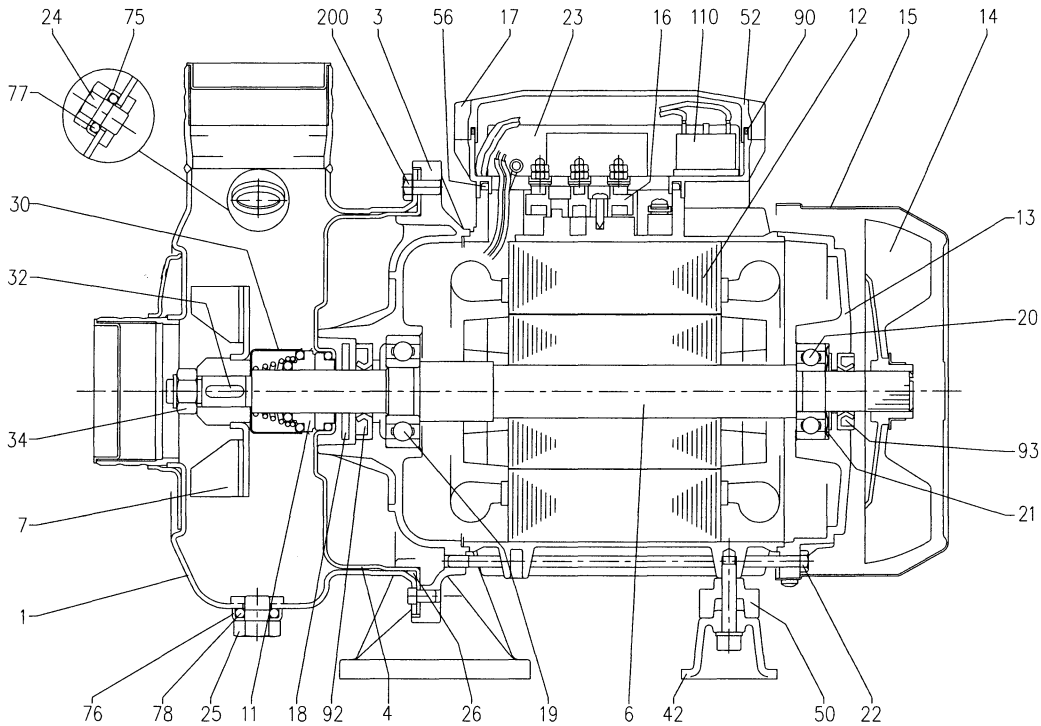


DWO 200 (1.5 kW) - Impeller diameter = 103 mm



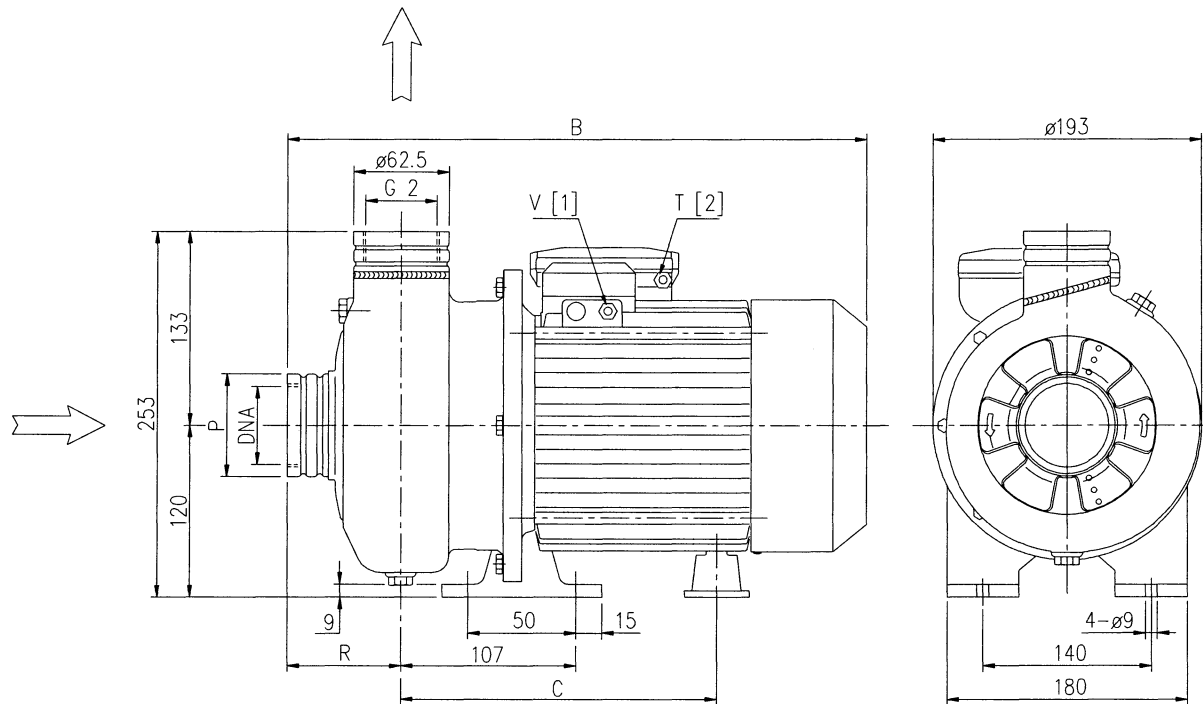
Rotation speed: $\approx 2800 \text{ min}^{-1}$
 Test fluid: clean water at 20°C
 Applicable standard of test: ISO 9906 grade 2

SECTIONAL VIEW



N°	PART NAME	MATERIAL	Q.TY	N°	PART NAME	MATERIAL	Q.TY
1	Casing	AISI304	1	25	Drain plug	AISI303	1
3	Motor bracket	Aluminium	1	26	O-ring	NBR	1
4	Casing cover	AISI304	1	30	Mechanical seal protection	AISI304	1
6	Shaft with rotor	AISI304 (Part in contact with liquid)	1	32	Key	AISI304	1
7	Impeller	AISI304	1	34	Impeller nut	AISI304	1
11	Mechanical seal [3]	Carbon/Ceramic/NBR	1	42	Motor support	Aluminium	1
12	Motor frame with stator	-	1	50	Spacer	-	1
13	Motor cover	Aluminium	1	52	Terminal box [1]	Polypropilene	1
14	Fan	Polypropilene	1	56	Box gasket	NBR	1
15	Fan cover	Fe P04 Zinked	1	75	Washer	AISI304	1
16	Terminal box	-	1	76	Washer	AISI304	1
17	Terminal box cover [2]	Aluminium	1	77	O-ring	NBR	1
18	Splash ring	NBR	1	78	O-ring	NBR	1
19	Pump side ball bearing	-	1	90	Cover gasket [1]	NBR	1
20	Fan side ball bearing	-	1	92	Lip seal	-	1
21	Adjusting ring	Steel C70	1	93	Lip seal	-	1
22	Tie rod	Fe 42 Zinked	4	110	Protector [1]	-	1
23	Capacitor [1]	-	1	200	Screw	Stainless steel A2 UNI7323	6
24	Priming plug	AISI303	1				

- [1] Only for single phase
- [2] Only for three phase
- [3] See constructions mechanical seal page 301



Pump type	Dimensions mm					
	B	C	R	Ø P	V	T
DWO 150	364	198,5	74	62,5	PG11	PG13.5
DWO 200	364	198,5	74	62,5	PG11	PG13.5
DWO 300	390	215,5	78	80	PG13.5	-
DWO 400	415	240,5	78	80	PG13.5	-

- [1] Three phase
- [2] Single phase