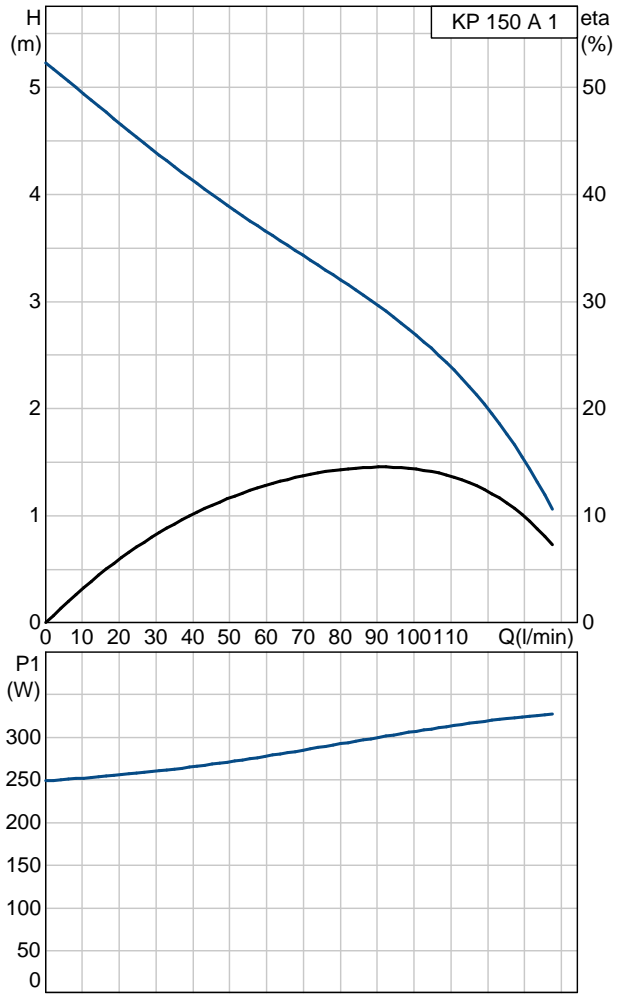
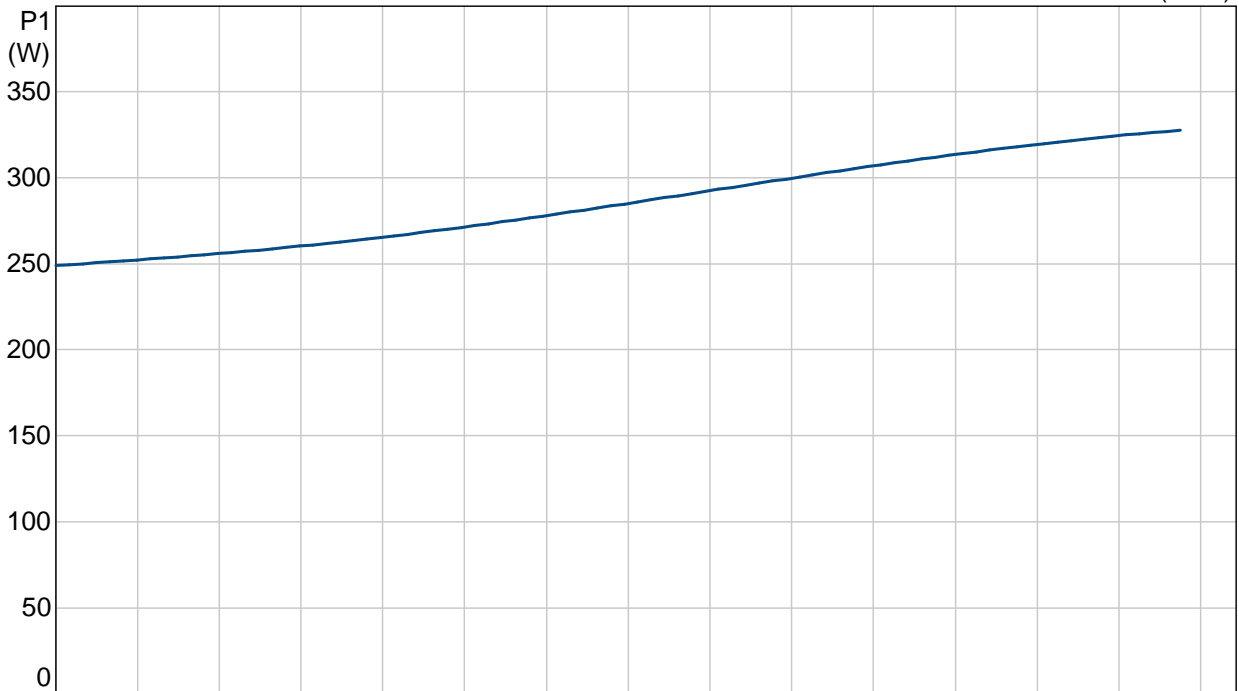
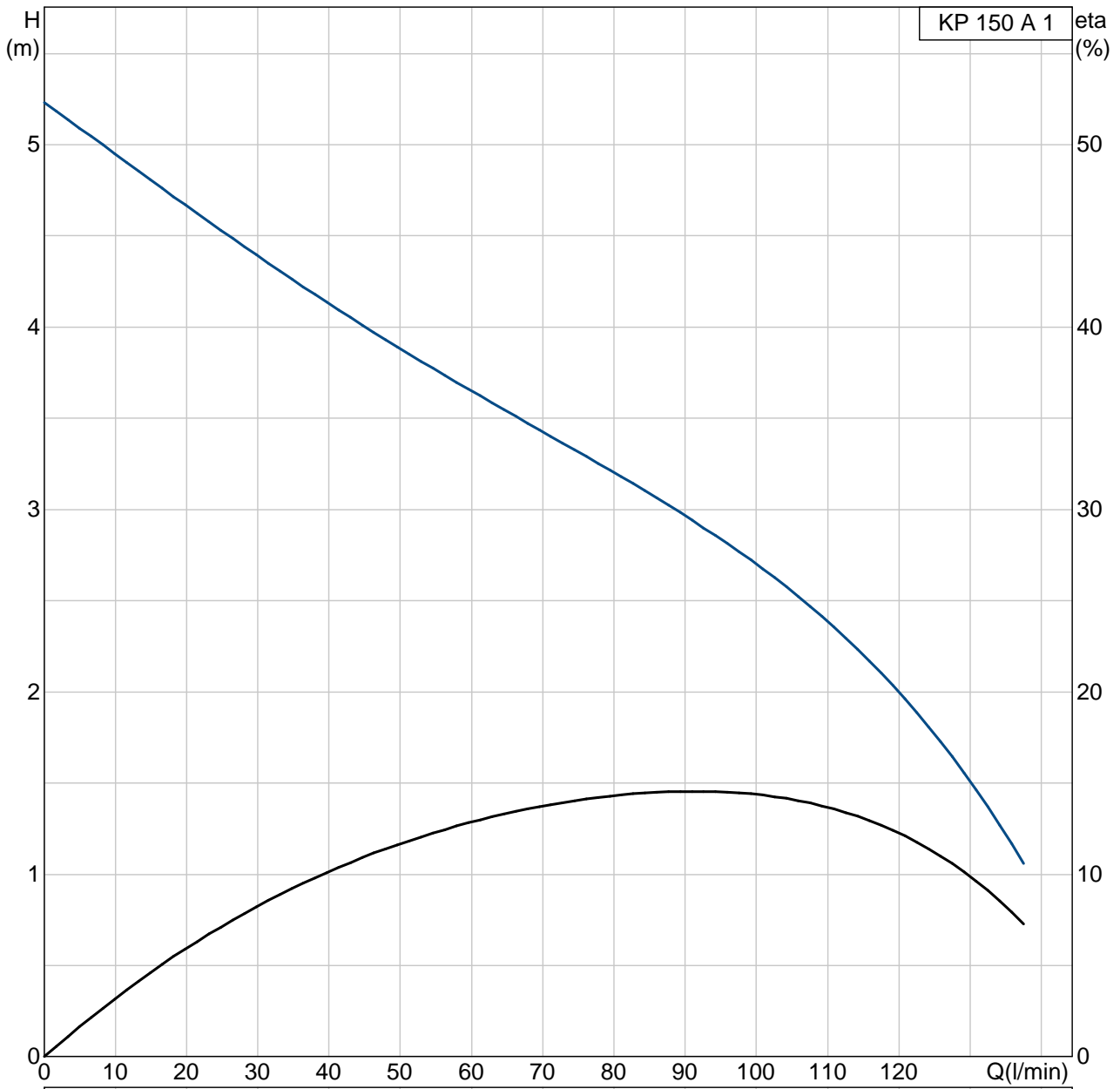


Position	Qty.	Description	Single Price
	1	<p><b>KP 150 A 1</b>  Product No.: 011K4700  Submersible drainage pump</p> <p>Vertical single-stage stainless steel submersible pump with vertical discharge port and integrated submersible 1-phase canned motor in insulation class F with thermal overload protection.</p> <p>The pump is fitted with suction strainer and a carrying handle and is supplied with a 5 m mains cable and float switch for automatic start and stop.</p> <p>The impeller is a semi-open impeller for 10 mm free passage suitable for pumping groundwater, surface water, rain water and similar liquids.</p> <p>The pump has a double shaft seal consisting of two lip seals with grease in-between.</p> <p>The pump has an outer casing ensuring continuous cooling of the motor by the pumped liquid. The rotor shaft operates in two maintenance-free carbon bearings cooled by the pumped liquid.</p> <p>The motor is filled with a non-toxic motor liquid.</p> <p><b>Liquid:</b>  Liquid temperature range: 0 .. 50 °C</p> <p><b>Technical:</b>  Maximum particle size: 10 mm  Curve tolerance: ISO 9906 Annex A</p> <p><b>Materials:</b>  Material, pump housing: Stainless steel  1.4301 DIN W.-Nr.  304 AISI  Material, impeller: Stainless steel  1.4031 DIN W.-Nr.  304 AISI</p> <p><b>Installation:</b>  Size, pump outlet: Rp 1 1/4  Maximum installation depth: 10 m</p> <p><b>Electrical data:</b>  Power input (P1): 300 W  Mains frequency: 50 Hz  Rated voltage: 1 x 230-240 V  Rated current: 1.3 A  Capacitor size - run: 8 µF/400 V  Enclosure class (IEC 34-5): IP68  Insulation class (IEC 85): F  Length of cable: 5 m  Type of cable plug: AU</p> <p><b>Others:</b>  Net weight: 6.5 kg  Gross weight: 6.2 kg  Shipping volume: 0.013 m³</p>	Price on request

Description	Value
Product name:	KP 150 A 1
Product No:	011K4700
EAN number:	5700391247842
<b>Technical:</b>	
Max flow:	8.5 m <sup>3</sup> /h
Head max:	5.5 m
Maximum particle size:	10 mm
Curve tolerance:	ISO 9906 Annex A
Model:	A
<b>Materials:</b>	
Material, pump housing:	Stainless steel 1.4301 DIN W.-Nr. 304 AISI
Material, impeller:	Stainless steel 1.4031 DIN W.-Nr. 304 AISI
<b>Installation:</b>	
Size, pump outlet:	Rp 1 1/4
Maximum installation depth:	10 m
<b>Liquid:</b>	
Liquid temperature range:	0 .. 50 °C
<b>Electrical data:</b>	
Power input (P1):	300 W
Mains frequency:	50 Hz
Rated voltage:	1 x 230-240 V
Rated current:	1.3 A
Capacitor size - run:	8 µF/400 V
Enclosure class (IEC 34-5):	IP68
Insulation class (IEC 85):	F
Motor protec:	CONTACT
Thermal protec:	internal
Length of cable:	5 m
Type of cable plug:	AU
<b>Controls:</b>	
Level switch:	float switch A
<b>Others:</b>	
Net weight:	6.5 kg
Gross weight:	6.2 kg
Shipping volume:	0.013 m <sup>3</sup>

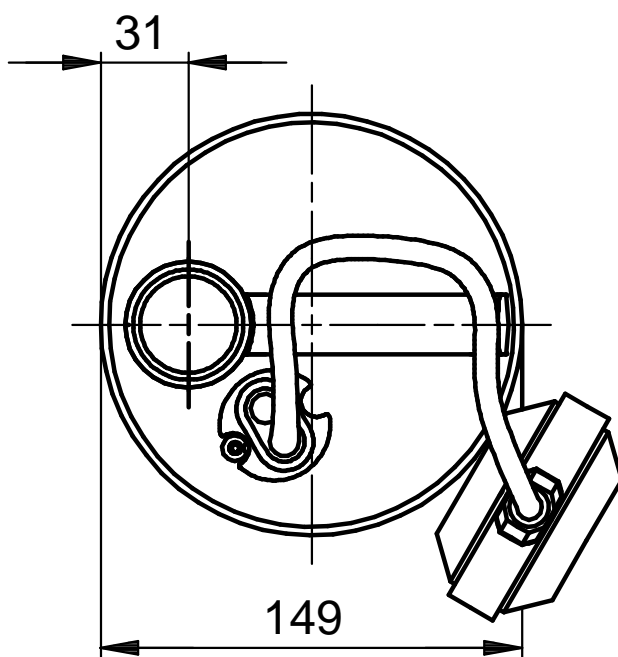
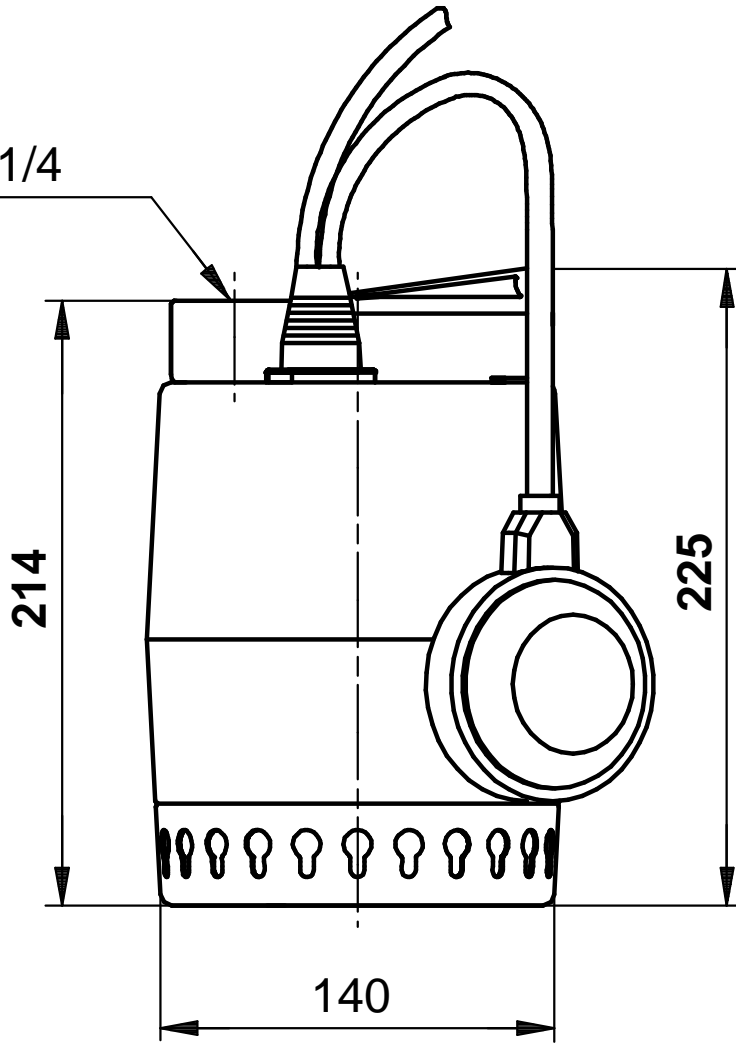


# 011K4700 KP 150 A 1



011K4700 KP 150 A 1

RP 1 1/4



Note! All units are in [mm] unless others are stated.