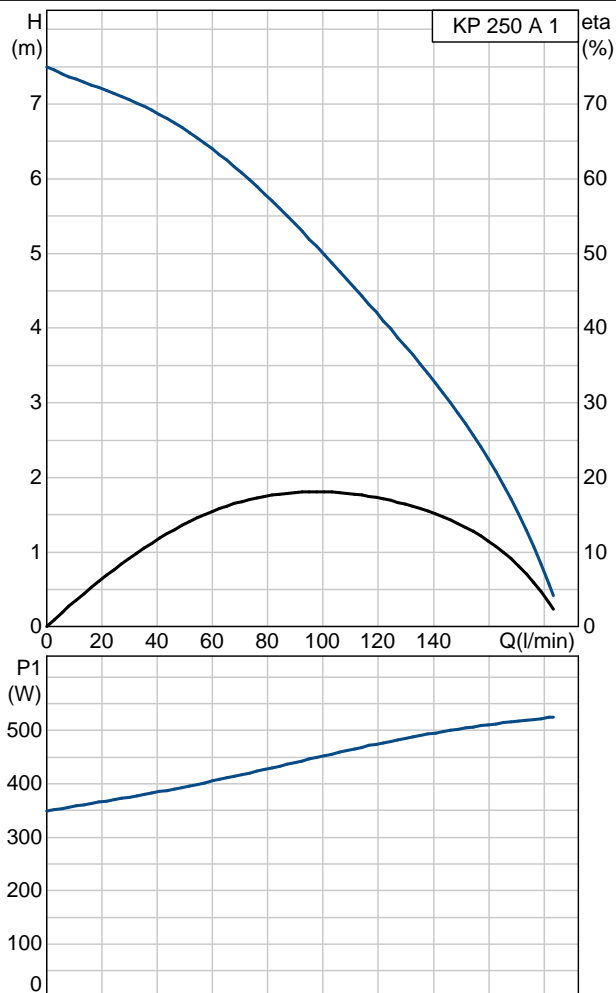
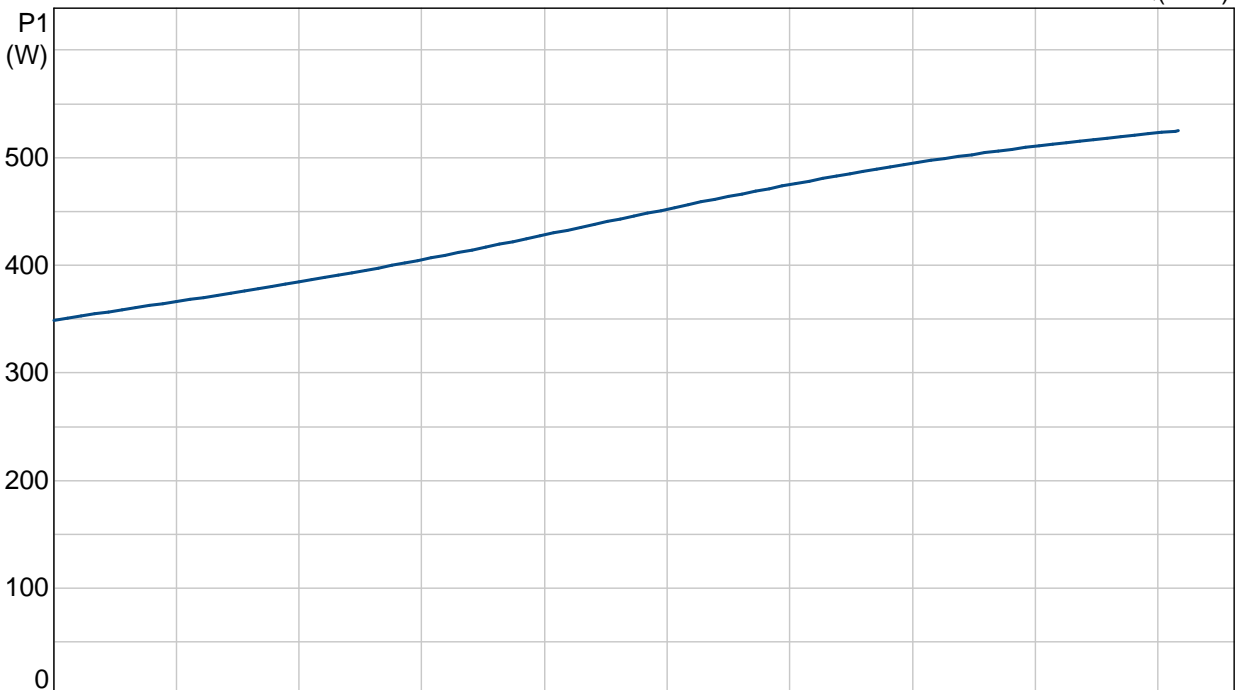
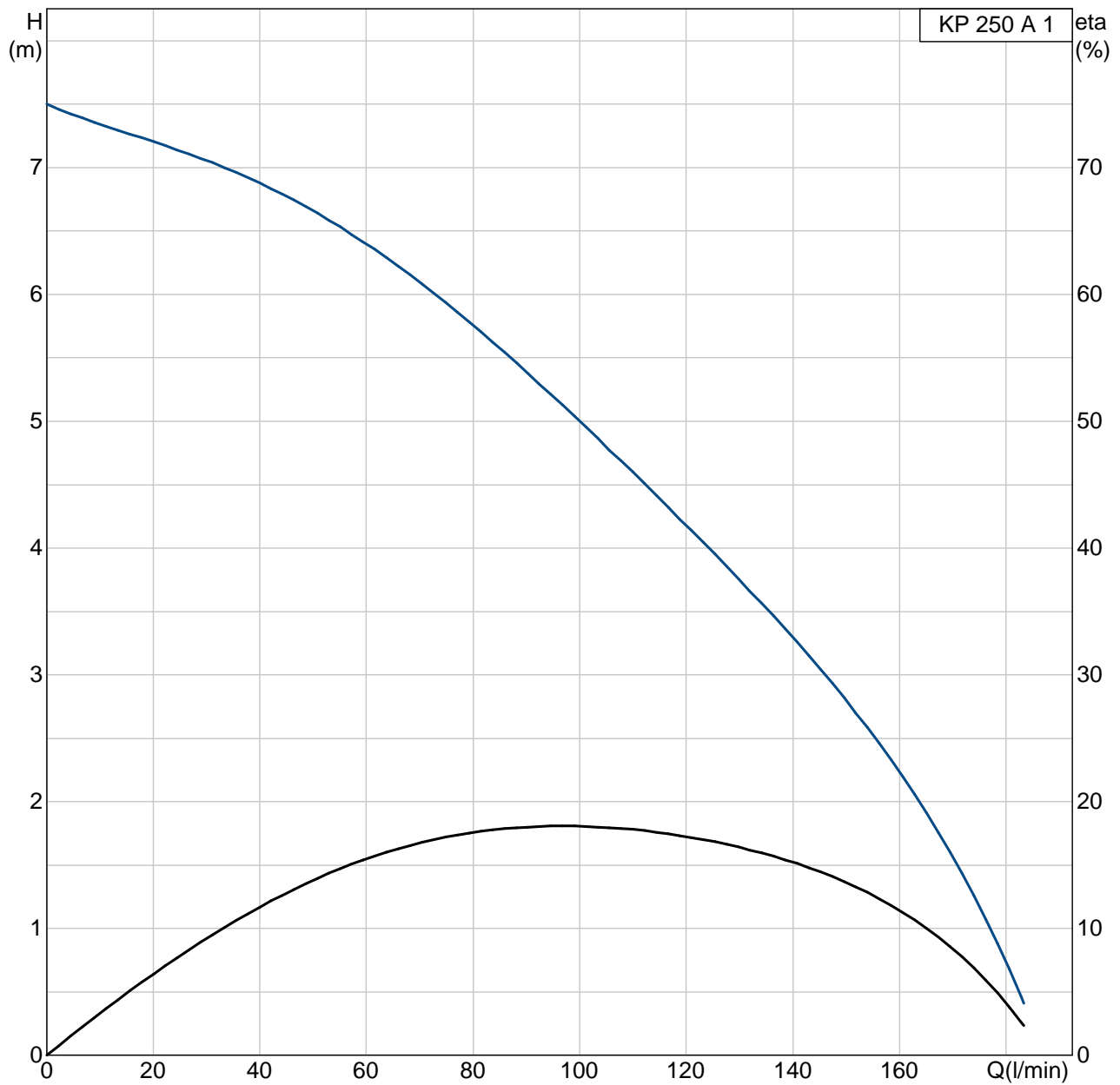


Position	Qty.	Description	Single Price
	1	<p>KP 250 A 1 Product No.: 012K4700 Submersible drainage pump</p> <p>Vertical single-stage stainless steel submersible pump with vertical discharge port and integrated submersible 1-phase canned motor in insulation class F with thermal overload protection.</p> <p>The pump is fitted with suction strainer and a carrying handle and is supplied with a 5 m mains cable and float switch for automatic start and stop.</p> <p>The impeller is a semi-open impeller for 10 mm free passage suitable for pumping groundwater, surface water, rain water and similar liquids.</p> <p>The pump has a double shaft seal consisting of two lip seals with grease in-between.</p> <p>The pump has an outer casing ensuring continuous cooling of the motor by the pumped liquid. The rotor shaft operates in two maintenance-free carbon bearings cooled by the pumped liquid.</p> <p>The motor is filled with a non-toxic motor liquid.</p> <p>Liquid: Liquid temperature range: 0 .. 50 °C</p> <p>Technical: Maximum particle size: 10 mm Curve tolerance: ISO 9906 Annex A</p> <p>Materials: Material, pump housing: Stainless steel 1.4301 DIN W.-Nr. 304 AISI Material, impeller: Stainless steel 1.4031 DIN W.-Nr. 304 AISI</p> <p>Installation: Size, pump outlet: Rp 1 1/4 Maximum installation depth: 10 m</p> <p>Electrical data: Power input (P1): 480 W Mains frequency: 50 Hz Rated voltage: 1 x 230-240 V Rated current: 2.2 A Capacitor size - run: 8 µF/400 V Enclosure class (IEC 34-5): IP68 Insulation class (IEC 85): F Length of cable: 5 m Type of cable plug: AU</p> <p>Others: Net weight: 7 kg Gross weight: 7 kg Shipping volume: 0.013 m³</p>	Price on request

Description	Value
Product name:	KP 250 A 1
Product No:	012K4700
EAN number:	5700391117138
Technical:	
Max flow:	11.2 m ³ /h
Head max:	7.5 m
Maximum particle size:	10 mm
Curve tolerance:	ISO 9906 Annex A
Model:	A
Materials:	
Material, pump housing:	Stainless steel 1.4301 DIN W.-Nr. 304 AISI
Material, impeller:	Stainless steel 1.4031 DIN W.-Nr. 304 AISI
Installation:	
Size, pump outlet:	Rp 1 1/4
Maximum installation depth:	10 m
Liquid:	
Liquid temperature range:	0 .. 50 °C
Electrical data:	
Power input (P1):	480 W
Mains frequency:	50 Hz
Rated voltage:	1 x 230-240 V
Rated current:	2.2 A
Capacitor size - run:	8 µF/400 V
Enclosure class (IEC 34-5):	IP68
Insulation class (IEC 85):	F
Motor protec:	CONTACT
Thermal protec:	internal
Length of cable:	5 m
Type of cable plug:	AU
Controls:	
Level switch:	float switch A
Others:	
Net weight:	7 kg
Gross weight:	7 kg
Shipping volume:	0.013 m ³

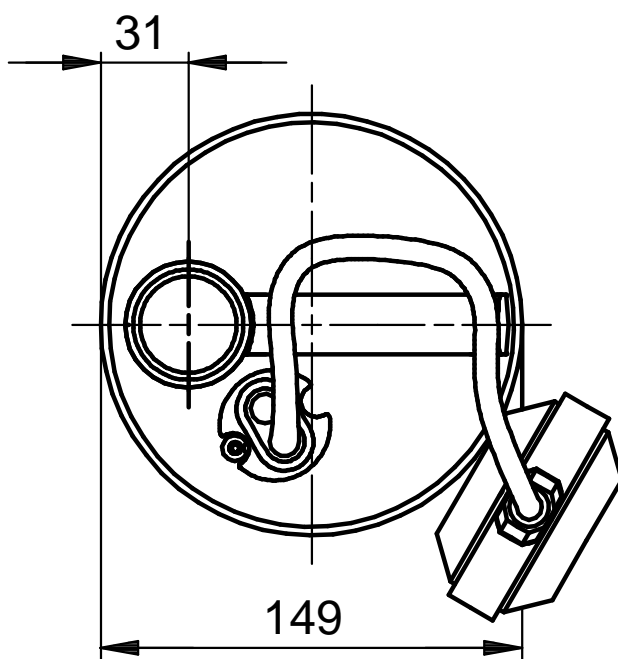
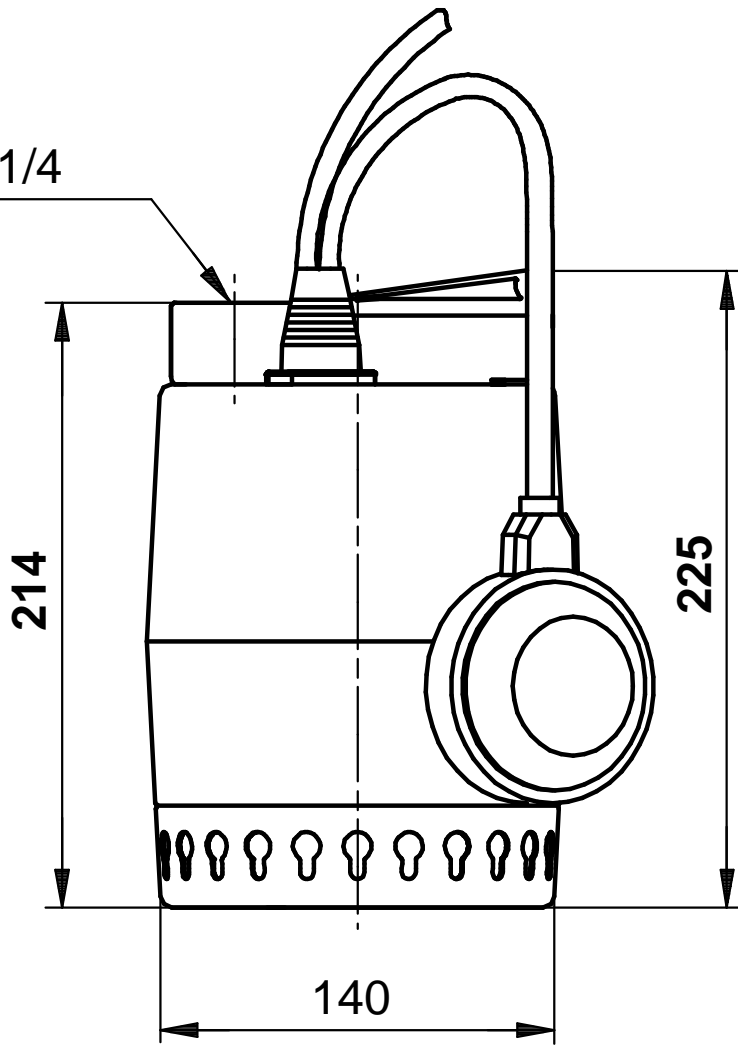


012K4700 KP 250 A 1



012K4700 KP 250 A 1

RP 1 1/4



Note! All units are in [mm] unless others are stated.