

# Operating and Maintenance Instructions

VM No.: 466.0004 GB

Edition: 09.01

Ident No.: 550 019

## Volute Casing Centrifugal Pumps

**Retain  
for future  
use!**

### Series NISM

Order No.:

Pump Ident. No.:

Machine No.:

Pump Type:

Operating data, dimensions and other additional information can be found in the order-specific part of the documentation.



These Operating and Maintenance Instructions contain information from the pump manufacturer. They may need to be supplemented by instructions of the operator company for its personnel. These instructions do not take account of specific information relating to operation and maintenance of the process plant into which the pump is integrated. Such information can only be given by the persons responsible for construction and planning of the plant (plant manufacturer).

**Such specific instructions relating to operation and maintenance of the process plant into which the pump is integrated have priority over the instructions of the pump manufacturer. The plant manufacturer must on principle observe the limits of use!**

**Refer to the operating instructions of the plant manufacturer!**

## Contents

1. **General**
2. **Safety**
3. **Transportation and Intermediate Storage**
4. **Description**
5. **Installation/Mounting**
6. **Start-up/Shutdown**
7. **Maintenance/Repair**
8. **Operating Faults, Causes and Remedial Action**
9. **Associated Documentation**

### Important note:

This operating manual is to be supplemented by the order-related informations.

## 1 General

### 1.1 Pump designation

The exact designation can be found in the order-specific documents (see data sheet).

### 1.2 Proper use

Information on proper use of the pumps is provided in the technical data sheet.

The pumped liquid must not contain any abrasive constituents nor corrode the pump materials.

### 1.3 Types of construction

The pumps are supplied in various designs, differing mainly in the shaft seals and the materials.

### 1.4 Performance data

The exact performance data can be taken from the order data sheet and/or acceptance test report.

### 1.5 Warranty

Our warranty for shortcomings in the supply is laid down in our delivery conditions. No liability will be undertaken for damages caused by non-compliance with the operating instructions and service conditions.

If at any later date the operating conditions change (e.g. different fluid conveyed, speed, viscosity, temperature or supply conditions), it must be checked by us from case to case and confirmed, if necessary, that the pump is suited for those purposes. Where no special agreements were made, pumps supplied by us may, during the warranty period, only be opened or varied by us or our authorized contract service workshops; otherwise our liability for any defects will cease.

### 1.6 Testing

Prior to leaving our factory, all pumps are subjected to a leak test. Additional tests will only be performed on request.

### 1.7 Availability

As a matter of principle, we recommend stocking replacement pumps and withdrawable units (hydraulic action system) where the supplied pumps are a decisive factor in maintaining a production or delivery process. In this way downtimes can be avoided, or reduced to a minimum.

### 1.8 Druckgrenze



Die Summe aus Eintrittsdruck und maximalem Förderdruck darf nicht größer sein als der zulässige Pumpeninnendruck (siehe Datenblatt).

## 2 Safety

These operating instructions contain basic safety instructions for installation, operation and maintenance. It is therefore essential that they are read by fitters and all specialist staff and customer personnel prior to installation and start-up. They must always be kept at hand at the place of installation.

The special safety instructions contained in the other chapters must be observed in addition to the general safety instructions in this chapter.

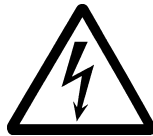
### 2.1 Identification of safety instructions in the operating manual

The safety instructions contained in these operating instructions which represent a danger to personnel if not complied with are specially marked by the general danger symbol:



Warning symbol as per DIN 4844–W9

Warning of danger from electric voltage is indicated as follows:



Warning symbol as per DIN 4844–W8.

Instructions which are essential to avoid endangering the machine and its operation are marked by the word

**ATTENTION**

Instructions affixed directly to the machine such as

- Directional markers
- Signs for fluid connections

must always be observed and maintained in fully legible condition at all times.

### 2.2 Personnel qualification and training

The operating, maintenance, inspection and mounting personnel must be appropriately qualified for the duties assigned to them. The scope of their responsibilities, competency and supervisory duties must be closely controlled by the customer. If the personnel do not have the required knowledge, they must be trained and instructed. If required, this may be provided by the manufacturer/supplier on behalf of the customer. The customer must additionally ensure that personnel fully understand the content of the operating instructions.

### 2.3 Dangers in the event of non-compliance with safety instructions

Failure to comply with the safety instructions may result in danger to persons, and place the environment and the machine at risk. Non-compliance with the safety instructions will lead to the loss of any claims for damages.

Non-compliance may result in the following dangers:

- Failure of important functions of the plant
- Failure of specified methods for maintenance and servicing
- Danger to persons resulting from electrical, mechanical and chemical effects
- Danger to the environment resulting from leakage of hazardous substances

### 2.4 Responsible working practices

The safety instructions contained in these operating instructions, current national accident prevention regulations, as well as internal working, operating and safety rules of the customer, must be observed.

### 2.5 Safety instructions for the user/operator

- Hot or cold machine parts representing a danger must be protected against accidental contact on site.
- Protection against accidental contact for moving parts (such as the coupling) must not be removed while the machine is in operation.
- When operating pump aggregates in a dust-laden environment (e.g. milling, chipboard manufacture, bakeries), the surfaces of the pumps and motors must be cleaned at regular intervals, depending on local conditions, in order to maintain the cooling effect and eliminate the possibility of spontaneous combustion. Please also see explosion protection regulations (BGR 104).
- Leakage (e.g. from the shaft seal) of hazardous substances being handled, such as explosive, toxic or hot materials, must be discharged in such a way that no danger to persons or the environment is created. Legal regulations must be observed.
- Dangers from electrical energy must be eliminated. For details in this regard, please refer to VDE and local power company regulations.

**2.6 Safety instructions for maintenance, inspection and installation**

The operating company must ensure that all maintenance, inspection and installation tasks are performed by authorized and qualified specialist personnel who have thoroughly studied the operating instructions.

Work on the machine is only to be carried out when the machine is at a standstill. The procedure for shutting down the machine described in the operating instructions must always be followed.

Pumps or aggregates handling fluids which are detrimental to health must be decontaminated. All safety and protective devices must immediately be refitted and made operational on completion of the work.

The instructions under Section 6.1, "Preparation for start-up", must be observed before restarting.

**2.7 Unauthorized conversion and production of replacement parts**

Conversion or modification of the machines is only permissible after consultation with the manufacturer. Original replacement parts and accessories approved by the manufacturer are intrinsic to safe operation. If other parts are used the manufacturer cannot be held liable for the consequences.

**2.8 Unacceptable modes of operation**

The operational safety of the machine supplied is only ensured when it is used in accordance with *Section 1* of the operating instructions. The limit values given on the data sheet must not be exceeded under any circumstances.

**3 Transportation and Intermediate Storage**

**3.1 Packaging**

Attention must be paid to the figurative markings on the packaging.

The suction and pressure side and all auxiliary connections must always be closed during transportation and storage.

**ATTENTION** The coverings must only be removed immediately before connecting the pipeline.

**3.2 Transportation**

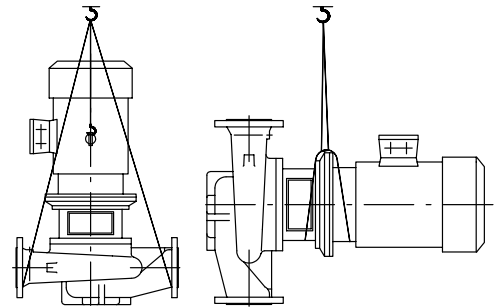
The pump or pump aggregate is to be safely transported to the place of installation, if required by means of lifting gear.



**The regulations for lifting loads in accordance with VBG 9a must be observed. Crane and sling equipment must be adequately dimensioned. Sling equipment must not be secured to the lifting eyes of the motor, except as additional protection against overturning in the event of nose-heaviness.**



**Transportation to and at the installation site**  
Make sure that the unit is transported safely and in a stable position. Overturning due to nose-heaviness must be prevented.



**Transport damage**

**ATTENTION** Check the pump for damage on receipt. Any damage detected must be notified immediately.

**3.3 Preservation / Storage of centrifugal pumps**

**3.3.1 Preservation**

In the case of storage or prolonged standstill, the pumps must be protected against corrosion. In those cases, an outside and inside preservation is to be provided. The durability of the protection against corrosion, which is limited in time, depends on the composition of the preservative to be applied and the storage conditions.

**ATTENTION** Under normal circumstances the pumps have no special preservative.

At an additional charge we can, however, supply pumps and replacement parts ex factory with a preservative adequate to the planned storage period.

**3.3.1.1 Outside preservation**

The outside preservative should be applied by painting or spraying with a spray gun.

**Points of preservation:**

All bright and unvarnished parts (e.g. shaft ends, couplings, flange facings, valve and manometer connections).

**3.3.1.2 Inside preservation**

(Not required for pumps made of stainless materials.)

Internal preservation is applied by painting, spraying using spray guns, filling/dipping and subsequent draining. Finally, the suction and outlet branches as well as all other supply and discharge branches must be sealed with dummy flanges or dummy plugs (plastic caps).

**Points of preservation:**

All bright parts inside the pump (e.g. pump casing inside, bearing bracket, shafts, impellers and diffusers).

**3.3.1.3 Storage times**

Depending on the required storage period and the surroundings, we recommend the use of preservatives from Valvoline GmbH, Hamburg.

**Storage in a closed, dry and dust-free room**

Storage time	up to 6 months	up to 12 months	over 12 months ①
Internal preservation	Tectyl 511 M	Tectyl 511 M	Tectyl 506 EH
External preservation	Tectyl 511 M	Tectyl 511 M	Tectyl 506 EH

**Storage in the open-air, central European climate**

Storage time	up to 6 months	up to 12 months	over 12 months
Internal preservation	Tectyl 542	Tectyl 542	Tectyl 506 EH
External preservation	Tectyl 542	Tectyl 506 EH	Tectyl 506 EH

**Storage in the open-air, tropical climate, aggressive industrial air or proximity to the sea**

Storage time	up to 6 months	up to 12 months	over 12 months ③
Internal preservation	Tectyl 542	Tectyl 542	Tectyl 506 EH
External preservation	Tectyl 506 EH	Tectyl 506 EH	Tectyl 506 EH

① Internal and external preservation must be renewed after 48 months at the latest.  
 ② External preservation must be renewed after 18 months at the latest. Internal preservation must be renewed after 48 months at the latest.  
 ③ External preservation must be renewed after 12 months at the latest. Internal preservation must be renewed after 48 months at the latest.

**Note:** The preservatives listed are to be regarded as a recommendation. Alternatively, technically equivalent products from other manufacturers can be used.

When handling preservatives, the safety hints contained in the relevant DIN safety data sheets and those of the manufacturer must be complied with.



**3.3.1.4 Depreservation**

Prior to setting the pump in motion, the inside preservation must be removed.



**Environmentally compatible disposal must be ensured.**

Preservatives can be removed with wax solvents, petroleum ether, diesel, petroleum or alkaline cleaners. However, the simplest method is to use a steam cleaner.

**Recommendation for Tectyl 506 EH:** Allow petroleum ether to act for 10 minutes before any further action.



Pumps that are used in the food or drinking water sector must be dismantled and thoroughly cleaned prior to depreservation.

A suitable solvent that is compatible with the liquid to be pumped (drinking water/food) can be used as the cleaning agent, e.g. Spiritus, Ritzol 155 or suds with a high alkaline content. Steam cleaning is ideal.

**ATTENTION** After a prolonged storage period (more than 6 months), all elastomers (O-rings, shaft seals) must be checked for elasticity of shape. Embrittled elastomers must be replaced. EP rubber elastomers (EPDM) must be replaced on principle.

**3.3.2 Storage**

During storage of the pump, the suction and outlet branches and all other supply and discharge branches must always be closed with dummy flanges or dummy plugs.

Storage should be in a dry, dust-free room. During storage, the pump should be cranked at least once a month. During this process, parts such as the shaft and bearings should change their position.

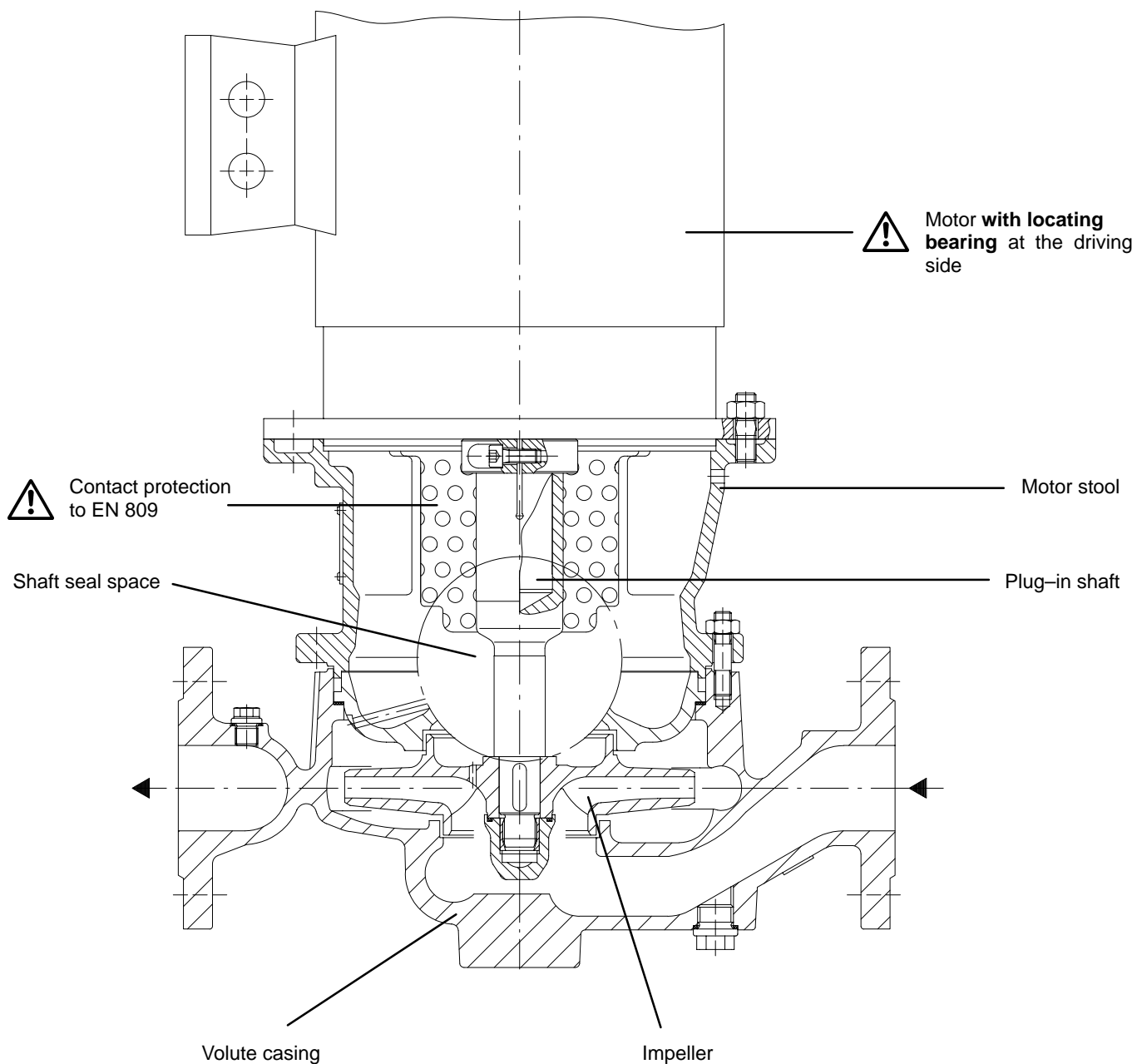
**3.3.3 Monitoring of preservation**


The preservation must be checked at regular intervals. The preserved areas must be inspected every 6 months and re-treated, if necessary.

**ATTENTION** We cannot accept any liability for defects that arise due to incorrect preservation treatment.

**4 Description / Principle design of the pump**

The pictorial presentation may not correspond with the pump supplied.  
The actual design will be stated in the specific order documents.



 Earthing connection to EN 809 must be attached by the customer

## 5 Installation/Mounting

### 5.1 Installation

For installation methods and locations, please see installation drawing.



**Other methods of installation are not permissible without prior consultation with the manufacturer.**

#### 5.1.1 Place of installation

Temperature: min. -20 °C  
max. +40 °C

relative air humidity:  
permanent max. 85 %  
temporary max. 100 %

Installation height: max. 1000 m above NN

For data differing from this, please consult the manufacturer.

**ATTENTION** Intensive vibrations in the vicinity of the pump unit can lead to bearing damage and must therefore be avoided.

**ATTENTION** Pumps used for the delivery of water must be installed so that they are protected against freezing.

#### 5.1.2 Protective devices



In order to prevent injuries due to burns, at pumping liquid temperatures higher than 60°C protective devices in accordance with EN 809 must be provided on site.

#### Heat insulation

**ATTENTION** Only the volute housing may be insulated with heat insulating material. In order to enable optimum heat dissipation no other pump components may be insulated.

### 5.2 Foundation

#### 5.2.1 General

The foundation may be a floor/concrete base or a load-bearing steel foundation frame.

**ATTENTION** The foundations must be constructed in such a way that they can take the weight of the pump unit and all operating forces that occur.

#### 5.2.2 Characteristics of a steel foundation frame

A steel foundation frame must be constructed in such a way that the pump feet are supported evenly and can be secured with screw fixings.

#### 5.2.3 Characteristics of a floor/concrete foundation

The foundation must be horizontal, flat and clean, and be capable of bearing the full load upon it.

**Note:** Concrete foundations must be executed with standard concrete of strength class B 25 as a minimum.

### 5.3 Alignment of the pump aggregate

The pump aggregate must be aligned to its pre-set height and system dimensions. This is done using suitable steel shims, arranged directly adjacent to each fixing bolt.

The overall height of the steel shims is determined by the established system dimensions of the plant. The steel shims and the base plate must be positioned evenly and securely.

If the fixing holes are more than 750 mm apart, we recommend fitting additional steel shims in the middle of the base plate.

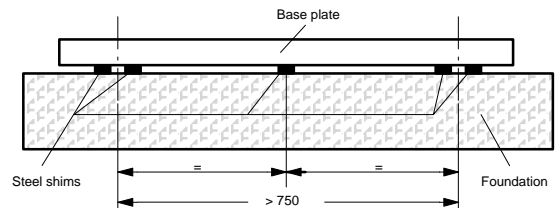


Fig. 5.1: Alignment with steel shims

Horizontal alignment of the aggregate is produced by way of flat-machined surfaces on the pump using a machine spirit level. Measurements are taken in longitudinal and transverse directions of the pump aggregate.

**Permissible deviation:** max. 1 mm per 1 m length.

#### 5.3.1 Fixing the pump aggregate

In order to prevent deformation of the base plate/pump, this must first of all be screwed tightly at three points. Before tightening the rest of the screws, spacers should again be positioned around the screw, in order to balance out the unevenness of the seating.

**ATTENTION** The prescribed tightening torque (Section 7.2.3) must be observed.

Precise details on the shape and dimension of the fixing are provided in the installation drawing.

#### 5.3.2 Checking the alignment

After aligning and tightening the screws, it must be possible to turn the pump and drive by hand, without any strain.

**Note:** The pump unit should not be welded to the base for technical installation reasons.

### 5.4 Assembly of pump and drive motor

If the aggregate is only assembled at the place of use, the coupling is assembled as follows:

1. Remove the distance piece for shaft screwed to the motor stool (341.01) for securing the pump shaft (220...). For these purposes, loosen hexagon screws (901.10).

**Note:** The hexagon screws (901.10) serve for fixing the motor.

2. Screw out hexagon screws (901.07), remove washers (554.07), and remove one half of the guard plate (686.01) from the motor stool (341.01).

3. Loosen socket-head cap screw (914.06) in the pump shaft (220...), and screw out completely.

**Note:** The hexagon socket screw key required for loosening the socket-head cap screw (914.06) is inserted in one of the two cast-in recesses in the motor stool.

4. Mount flange motor and fix it.

5. Mount the contact protection.

According to accident prevention regulations, the pump must only be operated with a protection against accidental contact.



**5.5 Space required for maintenance and repair**

**ATTENTION** The pump must be accessible from all sides in order to be able to carry out necessary visual inspections.

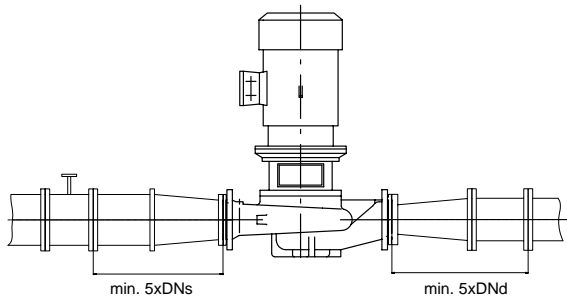
Adequate space must be provided for maintenance and repair work, in particular for removal of the drive motor or of the complete pump aggregate. It must also be ensured that all pipelines can be attached and removed without hindrance.

**5.6 Laying the pipelines**

**5.6.1 Nominal widths**

The nominal diameters of the pipelines need not necessarily correspond to those of the inlet and outlet branch, however, they must not be smaller. Different nominal diameters of suction branches and suction pipelines are to be compensated by centric transition pieces. Formation of air bags is to be avoided.

Figure DN 1  
Recommendation for straight pipeline length before and after the pump



In these areas, pipe fittings such as gate valves, bends, compensators etc. should be avoided wherever possible.

**ATTENTION** Shorter pipelines on the suction side are possible, but may lead to a deterioration of the hydraulic performance data. Shorter pipelines on the discharge side are possible, but may lead to increased noise development.

**ATTENTION** Compensators must not generate any unacceptable additional forces on the pump connection branches. Special care is needed in cases where compensators are used, whose pressurised diameter is greater than the nominal width of the pump connection branches.

**5.6.2 Changes in cross-section and direction**

Sudden changes in cross-section and direction, as well as bends with a bend radius less than 1.5 times the interior pipe width, must be avoided.

**5.6.3 Supports and flange connections**

**ATTENTION** All pipelines must be connected to the pump stress-free in accordance with VDMA standard sheet 24277.

**ATTENTION** The permissible pipeline forces must not be exceeded in any operating status.

We therefore recommend on principle that a calculation of the pipeline forces is performed, which takes into consideration all operating status (e.g. cold/warm, empty/full, depressurised/pressurised, etc.). Pipeline supports must always be free sliding and must not rust in (check regularly).

**How to assess a pipeline connection**



To conduct an assessment, the pipeline must be depressurised, completely drained and cooled. The pumping liquid must be disposed of with respect for the environment.

- Disconnect the pipeline from the pump at the connecting flanges.
- After disconnecting the connecting flanges, the pipeline must be freely movable in all directions in the area of expected expansion.  
**Note:** up to Ø 150 mm by hand  
from Ø 150 mm with small lever
- The flanges must lie plane-parallel.

**5.6.4 Cleaning pipelines prior to attachment**

Prior to assembly, all pipeline parts and valves must be thoroughly cleaned.

**ATTENTION** No impurities must reach the pump from the pipeline system (e.g. welding beads, residues from preservatives, etc.).

Flange gaskets must not protrude inwards. Blanking flanges, plugs, protective film and/or protective paint on flanges and seals must be removed completely.

**ATTENTION** Filters on suction side must be cleaned regularly. We recommend monitoring with differential manometer and/or contact manometer.

**5.6.5 NPSH observation**

The NPSH conditions of the system must be adapted to the respective pump requirement (NPSH<sub>req.</sub>).

An essential condition is fulfilled if the system NPSH value (NPSH<sub>avail.</sub>) is at least 0,5 m **above** the pump NPSH value (NPSH<sub>req.</sub>). The NPSH<sub>req.</sub> can be taken from the characteristic curves of the relevant pumps.

**ATTENTION** The applicable NPSH values in the characteristic curves are for water with 20°C. For other media and/or temperatures, the NPSH value may deviate from the characteristic curves.

**ATTENTION** Uncertainties in the determination of NPSH conditions, particularly for media other than water and/or other temperatures, must be compensated for by increased safety factors (please consult the manufacturer).



**5.6.6 Suction and inlet pipeline**

In order to avoid the formation of air bags, the suction and inlet pipeline must be laid rising to the pump.

**5.6.6.1 Foot valve and suction basket (suction mode)**

For suction operation, the suction pipeline must be equipped with a foot valve preventing the pump and suction pipeline from running empty while at rest.

The suction basket must be attached so that neither dirt from the sump nor air from the fluid level can enter.

**5.6.6.2 Stop valve (inlet mode)**

A stop valve is to be installed in the inlet pipeline. It must be fully open during operation (see figure DN 1).

**5.6.7 Pressure pipeline****5.6.7.1 Stop valve in the pressure pipeline**

A stop valve should be installed in the pressure pipeline.

**5.6.7.2 Non-return valve in the pressure pipeline**

The pump must not run backwards. It is recommended that a non-return valve is fitted between the pressure branch and the stop valve.

**5.6.7.3 Bleeding**

In the pressure pipeline, bleeding facilities should be provided at the highest point and in front of the non-return valve.

**5.6.8 Auxiliary connections**

The positions of the auxiliary connections on the pump are shown in the installation drawing. All auxiliary pipelines must be connected in accordance with the installation drawing, stress-free and sealed.

**5.7 Safety and control devices****5.7.1 Manometers**

We recommend to provide suitable pressure gauges in the inlet and pressure pipelines, and in the pressurized auxiliary pipelines.

**5.7.2 Safety devices in the inlet, delivery and auxiliary pipelines**

Safety devices in the form of stop valves must be installed in the pipelines, if not already provided, to allow the pipelines to be shut off and disconnected during maintenance and repair work.

**5.8 Electrical connections**

The power supply cables of the drive motor must be connected by a trained electrician, according to the motor manufacturer's circuit diagram. The valid VDE regulations, the regulations of the local electricity board and the operating manual for the motor must be complied with.

Danger due to electrical power must be excluded and an EMERGENCY STOP switch in accordance with EN 809 must be provided.

**ATTENTION**

**The pump must not run dry, not even for checking the sense of rotation.**

Refer **6.1... Control of drive motor sense of rotation**

**5.9 Checking the pressure of the system with built-in pump**

If the whole system with built-in pump is to be subjected to a final pressure test, the test pressure must not be more than the maximum permissible internal pressure of the pump (see data sheet).

## 6 Start-up/Shutdown

### 6.1 Preparations for (initial) start-up

#### 6.1.1 Filling and bleeding the pump

Prior to starting up, the pump and the suction and inlet pipeline must be filled with delivery fluid.

During bleeding, the stop valves in the inlet and delivery pipelines must be open to allow air pockets to escape into the piping system, and out from there via the bleeder pipeline.

If the pump fails to build up pressure when started up (see manometer), bleeding must be repeated.



During bleeding of the pump and the plant, hazardous or environmentally harmful fluid and gas emerging must be safely collected and discharged.

#### 6.1.2 Control of drive motor sense of rotation

The sense of rotation of the motor must match the sense of rotation arrow on the pump. To check the sense of rotation, the motor can be switched on briefly when the pump is full.

**ATTENTION** The pump must not run dry, not even for checking the sense of rotation.

In the case of pumps with a mechanical seal that is dependent on the sense of rotation, the motor must always be disconnected in order to check the sense of rotation.

If the sense of rotation is incorrect, the sense of rotation of the three phase motor can be reversed by switching any two phases.

#### 6.1.3 Switching on any additional devices

Before starting up the pump, any additional devices must be switched on and must have reached the necessary flow rates/temperatures/pressures.

**Note:** Pay attention to the flow rates/temperatures/pressures quoted on the order data sheet or in the manufacturer's instructions.

#### External flushing, external blocking, quench

The liquids for external flushing, external blocking and/or quench must be suitable for mixing with the material to be pumped.

### 6.2 Start-up

#### 6.2.1 General



Before starting, all filling and venting openings must be completely closed.

#### 6.2.1.1 Starting without air ejector

To avoid overloading the drive motor, the pump should be run up only against a closed pressure stop valve during starting.

The stop valve in the inlet pipeline must be fully open.

#### 6.2.1.2 Starting with air ejector A25A

Fully open the stop valve in the inlet pipeline and close the delivery-side valve.

Initiate suction. (For description of function of air ejector see separate Operating Instructions VM 490.0011/...). After conclusion of the suction procedure, switch on the drive and open the pressure-side gate valve until the minimum rate of flow is obtained (see Section 6.2.3).

#### 6.2.2 Drive

Switch on the motor.

Refer to the operating instructions of the drive motor manufacturer.

#### 6.2.3 Minimum rate of flow

Immediately after reaching the operating speed, the pressure-side stop valve must be opened and the pump operated up to at least the minimum rate of flow (see data sheet).

#### 6.2.4 Setting the pump power output values

The pressure-side stop valve must be opened until the required pump power output values are obtained (see data sheet).

#### 6.2.5 Temperature



In order to prevent injuries due to burns, at pumping liquid temperatures higher than 60°C protective devices in accordance with EN 809 must be provided on site.

**ATTENTION** It must be ensured that the pump housing is evenly heated. Differences in temperature between the top and bottom of the pump, as well as sudden temperature changes, should be avoided.

**Temperature changes in the material of more than 50°C per minute are not permissible.**

#### 6.2.6 Adjusting the stuffing box (if fitted)

Any increased leakages at the stuffing box in the initial operating hours are normally eliminated in the course of the run-in period. If necessary, tighten the hexagonal nuts on the gland slightly.

**ATTENTION** A slight leakage must be set at the stuffing box. This will discharge any frictional heat occurring at the sealing surface.

#### 6.2.7 Spare pump

A spare pump belonging to the plant must always be kept ready for operation. For these purposes, the stop valve on the supply side must be completely open. The stop valve on the outlet side must be opened to such a degree that the pump, filled and bled, has operating temperature.

**ATTENTION** In plants in which impermissible temperature may arise due to failure of the operating pump, a standby pump of sufficient output must be provided.

Two independent energy sources must be provided for the operating and standby pumps.

6.3 Shutdown

- **Pressure pipeline**  
If a non–return valve is installed in the pressure pipeline, the stop valve can remain open. Without non–return valve, the stop valve must be closed.
- **Drive**  
Switch off the motor. Make sure the pump runs down smoothly and evenly.
- **Inlet line**  
Close stop valve in inlet line.
- **Additional devices**  
Switch off any additional devices (external flushing, external sealing, quench).

**ATTENTION** In the case of double–acting mechanical seals, the pump and system must be depressurized before switching off the sealing pressure.



It must be ensured that the pump does not run backwards after switching off. Otherwise, the pump may reach unacceptably high speeds, and shaft seals dependent on the direction of rotation will be severely damaged.

6.4 Measures in the event of standstills

Pumped liquid ...	Measures in the event of brief standstill	Measures in the event of prolonged standstill
May solidify + has a preservative effect ①	Hear or drain pump	Drain pump
May solidify + does not have a preservative effect	Hear or drain pump	Drain and preserve pump ①
Does not solidify + has a preservative effect ①	–	–
Does not solidify + does not have a preservative effect	–	Drain and preserve pump ①

① See section 3.3

## 7 Maintenance/Repair

### 7.1 Maintenance

- The instructions in Section 2, *Safety*, must be observed in maintenance and repair work.
- Regular monitoring and maintenance of the pump and the drive motor are essential for optimum service life and safety.

#### 7.1.1 General monitoring

1. The pump must not run dry.
2. The pump must not run in cavitation.
3. The minimum delivery rate must always be maintained (see Section 6.2.).
4. The drive motor must not be overloaded.
5. The shaft seal must have no inadmissible leakage.
6. The pump unit must not experience or generate any undue vibrations (e.g. as a result of incorrect alignment). International standard ISO 10816 must be referred to for assessment.
7. Changes to the normal operating data may indicate faults. The causes must be established.
8. Installed standby pumps must be started up once a week.

#### 7.1.2 Maintenance of components

##### 7.1.2.1 Bearing

Refer to the operating instructions of the motor manufacturer.

##### 7.1.2.2 Shaft seal

The shaft is sealed either by a stuffing box or mechanical seal.

###### • Stuffing box

Any increased leakages at the stuffing box in the initial operating hours are normally eliminated in the course of the run-in period. If necessary, tighten the hexagonal nuts on the gland slightly.

Ensure that there is slight leakage at the stuffing box. This will discharge any frictional heat occurring on the sealing surface.

If the leakage increases excessively, and if it also cannot be reduced by repeated slight tightening of the hexagonal nuts, the packing rings have lost their elasticity of shape and must be replaced.

###### • Mechanical seal

A maximum dripping rate of 10 g/h may occur during operation and is normal. If the dripping is heavier, the shaft seal must be replaced.

###### • Additional devices

Any additional device at the shaft seal (external flushing, external sealing, quencher) must be monitored.



A defective shaft seal can cause uncontrolled discharge of pumping liquid.

**This constitutes a hazard to people (possibility of spraying liquid) and to the environment!**

##### 7.1.2.3 Drive

Refer to the operating instructions of the motor manufacturer.

7.2 Repair

**General**



The system operator is responsible for ensuring that instruction in safety is provided. The personnel must be made aware of all hazards that can arise in connection with the pumped liquid or the plant.

**Mounting and repair work**

Trained Service fitters are available on request to carry out mounting and repair work.



For all repairs, it must be ensured that the pump is depressurised, completely drained and cool. The motor must be protected against unintended switching on.

We must refuse acceptance of repair work on pumps filled with fluid, for the protection of our staff and for environmental reasons. The expenditures for disposal with respect to the environment are to be carry by the customer/operating company.

**Hazardous substances**



Where repairs are to be carried out on pumps which have been operated with hazardous substances ① and/or environmentally harmful media, the customer/operator must inform its own personnel on site, or our personnel where repairs are returned to our factory or a service workshop, without being specifically requested to do so.

Together with the request for a Service fitter a verification of delivery material, for example in the form of a DIN safety data sheet, must be submitted to us.

Alternatively, you can request a certificate of safety (form no. 448/191) from our Service department, filling it out truthfully, correctly and in full. Send the completed form to the center commissioned with carrying out the repair, or hand it to our Service fitter.

① **Hazardous substances are:**

- Toxic substances
- Health–endangering substances
- Corrosive substances
- Irritants
- Explosive substances
- Fire–inducing substances
- Highly flammable, easily flammable and normally flammable substances
- Carcinogenic substances
- Substances impairing fertility
- Genetically distorting substances
- Substances in other ways hazardous to humans



Pumps or units which pump hazardous substances or substances that are dangerous to the environment must be completely decontaminated.

7.2.1 Dismounting the centrifugal pump

Before dismantling, the following work must be carried out:



• Electrical danger must be eliminated! The motor must be secured against being switched on. If necessary, the power supply cable must be disconnected from the motor by an authorized electrician.

• Close all stop devices in the inlet and delivery pipeline, and in the auxiliary pipelines.

• Allow the pump housing to cool to ambient temperature.

• Drain the fluid in flowable condition from the pump. **Note:** Use a collecting tank.

• The pump must be depressurized and drained.



• Hazardous substances and/or environmentally harmful media must be drained off and collected such that no danger to life and limb is created. Environmentally compatible disposal must be ensured.

• Remove auxiliary pipelines, if fitted.

• Dismount manometer lines, manometers and holding devices.

• Dismount protection against accidental contact.



**The pump must be dismantled by a qualified technician using the pertaining drawings.**

To prevent damage, it is especially important to ensure that the components are dismantled concentrically and that they are not tilted.

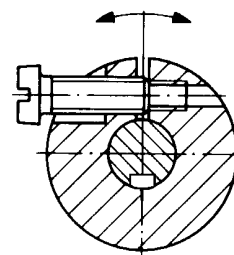
**Dismounting instructions:**

• The pumps are produced as standard in process design. This means that the drive unit can be dismantled without the need to remove the volute housing and the pipes.

• The fitting position of all components must be accurately marked before dismantling.

• In order to disassemble the motor, the pump shaft (220...) must be expanded. To do this, unscrew socket–head cap screw (914.06) and screw in a socket–head cap screw M10 x 40 or M12 x 40 ISO 1207 (not included in the scope of supply).

Notch is widened slightly



Tighten forcing screw with a screwdriver, but not using excessive force.

**7.2.2 Mounting the centrifugal pump**

**ATTENTION** Before remounting check all parts for wear and aging and, as necessary, replace with **original replacement parts**.

Clean all parts before mounting. Always fit new gaskets.



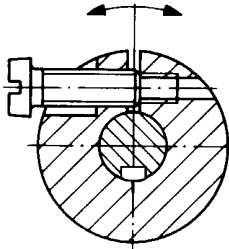
**The pump must be mounted by a qualified technician using the pertaining drawings. The prescribed tightening torque must be observed.**

To prevent damage, it is especially important to ensure that the components are mounted concentrically and that they are not tilted.

**Mounting instructions:**

- The pump shaft must be free of oil and grease.
- To assemble the motor, the pump shaft (220...) must be expanded. To do this, unscrew socket-head cap screw (914.06) and screw in a socket-head cap screw M10 x 40 or M12 x 40 ISO 1207 (not included in the scope of supply).

Notch is widened slightly



Tighten forcing screw with a screwdriver, but not using excessive force.

**ATTENTION** The key groove of the motor shaft must be located opposite the slit of the pump shaft. The key is not required.

- The pump shaft (220.01) must be pushed onto the motor shaft as far as the shaft collar of the motor lantern and then secured with socket-head cap screw (914.06).
- Screw socket-head cap screw (914.06) into the pump shaft (220...) and tighten with the dynamometric key.
- The markings applied when dismounting must be observed. The components must be put back in their original fitting position.
- When assembling, screws and nuts must be painted with a suitable high-temperature screw paste (e.g. Molykote P37).
- After tightening the screws, it must be possible to turn the pump and drive manually without straining points.

**7.2.3 Tightening torque**

**Note:** With poor and lightly greased surfaces, the values must be increased by 10–15%, in order to reach the required performance.

Part no.	Thread	Quality	Tightening torque [Nm]
901.01	M 8	4.6	8
	M 10	8.8	35
	M 12	A4	45
901.02	M 8	8.8	22
	M 12		63
901.10	M 8	8.8	22
	M 10	8.8	35
	M 12	5.6	35
	M 16	8.8	150
902.01/920.01	M 10	A4	27
902.03/920.03	M 16		① 45
903.01 903.02 903.03 903.04	G 1/4	A4	10
	G 3/8		15
	G 1/2		30
904.05	M 8	A4	12
914.06	M 8	12.9	25
	M 10		50
914.10	M 10	12.9	50
	M 16	8.8	167
922.01	M 12 x 1,5	1.4404	20
	M 20 x 1,5		96
	M 24 x 1,5		157

① not valid for pumps with stuffing box

**Following the mounting the centrifugal pump, the following operations are to be performed.**

- Attach protection against accidental contact and supporting foot, if any.
- Attach auxiliary pipelines.
- Attach manometer pipelines, manometer and holding devices to the pump.



- Electrical danger must be eliminated! Power supply cables must only be connected by qualified electricians. Pay attention to sense of rotation.

**Start up pump as per instructions in Section 6.**

**7.3 Replacement parts**

The application guidelines in accordance with DIN 24 296 can be taken as a basis for spare parts stock holding (see Section 7.3.2).

However, for reasons of operational safety, we recommend the stocking of complete insert units or spare pumps.

**Advantage:** In the event of damage, a defective unit can be replaced by a spare unit without great expenditure and in a very short space of time.

**7.3.1 Ordering spare/replacement parts**

The following details are required for handling orders for replacement and spare parts:

- Pump abbreviation ①
- Pump number ①
- Year of construction ①
- Part number
- Denomination
- Quantity

① refer to name plate

**7.3.2 Allocation of the pump sizes to the diameters of the pump shaft at the shaft seal**

Pump size <b>NISM</b>	Diameter of the pump shaft at the shaft seal [mm]
20–160	16
32–160 32–200 40–160 40–200 40–250 50–160 50–200 50–250 65–160 65–200 80–160	30 single-stage
2/32–200 2/40–250 2/50–250	30 two-stage
65–250 65–315 65–400 80–200 80–250 80–315 100–200 100–250 100–315 125–250	40

**7.3.3 Replacement parts for two-year continuous operation as per DIN 24 296**

Part No.	Part denomination	Number of identical pumps (including standby pumps)						
		2	3	4	5	6 and 7	8 and 9	10 and mehr
		Set/Replacement parts quantity						
171.01	Diffuser (all two-stage sizes)	1	1	1	2	2	3	30%
220.01 220.02 220.03  ①	Plug-in shaft or Plug-in shaft or Plug-in shaft with Socket-head cap screw 914.06 or Impeller nut 922... with Spring ring 936... and Key 940...	1	1	2	2	2	3	30%
230.01	Impeller (all single-stage sizes)	1	1	1	2	2	3	30%
230.02 230.03 514.01 904.05	Impeller first stage and Impeller second stage with Threaded ring and Hexagon sockets with cup points ①	1	1	1	2	2	3	30%
400.01 400.02	Gasket (Set) Gasket (for design with intermediate ring)	4 4	6 6	8 8	8 8	9 9	12 12	150% 150%
433...	Mechanical seal	2	3	4	5	6	7	90%
461.01	Stuffing box packing (set)	4	4	6	6	6	8	40%

① Can be purchased as assembly group/sale group.

## 8 Operating Faults, Causes and Remedial Action

### 8.1 Faults with reference number for cause and remedial action

The table below is intended as a guide to identifying faults and their possible causes.

If faults occur which are not listed here, or which cannot be traced back to the listed causes, we recommend consulting the factory, or one of our branch offices or sales offices.



The pump must be depressurized and drained when faults are being rectified.

Centrifugal pump faults	Reference numbers for cause and remedial action
Delivery rate too low	1, 2, 3, 4, 5, 6, 7, 8, 9, 21, 22
Delivery head too low	2, 3, 4, 5, 6, 7, 8, 9, 21, 22
Power consumption of pump too high	9, 11, 12, 17, 21, 22
Delivery pressure too high	9, 12
Pump housing leaky	23
Heavy leakage of shaft seal	10, 13, 15, 17, 27
Pump not operating smoothly	1, 2, 3, 4, 5, 6, 8, 11, 17, 24, 26
Pump gets hot	2, 5, 26

### 8.2 Causes and remedial action

Ref. no.:	Cause	Remedial action
1	Delivery head higher than nominal delivery head of pump.	1. Open stop valve in pressure pipeline until operating point is reached. 2. Install impeller with larger diameter. 3. Increase rotation speed (turbine, frequency control, ...). ①
2	Pump or pipelines not properly bled or filled.	Bleed and top up pump or pipelines.
3	Inlet pipeline or impeller blocked.	Clean pipelines and impeller.
4	Air pockets forming in pipeline.	Perhaps install a vent valve, or lay pipeline differently.
5	$NPSH_{\text{plant}}$ (inlet) too low.	1. Check fluid level in inlet tank. 2. Open stop valve in inlet pipeline fully. 3. Lay inlet pipeline differently if friction losses are too high. 4. Check filter in inlet pipeline, if fitted. 5. Check inlet flow conditions of pump.
6	Wrong direction of rotation of pump.	Reverse polarity of any two phases on motor.
7	Rotation speed too low.	Increase rotation speed (turbine, frequency control, ...). ①
8	Excessive wear on inner pump parts.	Replace worn parts.
9	Density or viscosity of delivery medium does not comply with pump design data.	Consult the factory in the event of faults due to non-compliance with design data. ①
10	Shaft sleeve damaged.	Mount new shaft sleeve.
11	Delivery head lower than nominal delivery head of pump.	1. Regulate operating point with stop valve in pressure pipeline. 2. Turn off impeller in event of continuous overload.
12	Rotation speed too high.	Reduce rotation speed (turbine, frequency control, ...). ①
13	Shaft seal damaged.	Check shaft seal parts for wear and replace if necessary.
14	–	–
15	Packing material unsuitable for the delivery medium. Gland is askew, or too loosely tightened.	1. Wrong packing material used. Repack pump with suitable material. 2. Tighten gland evenly.
16	–	–
17	Pump twisted.	Check pipelines for twists in connections.

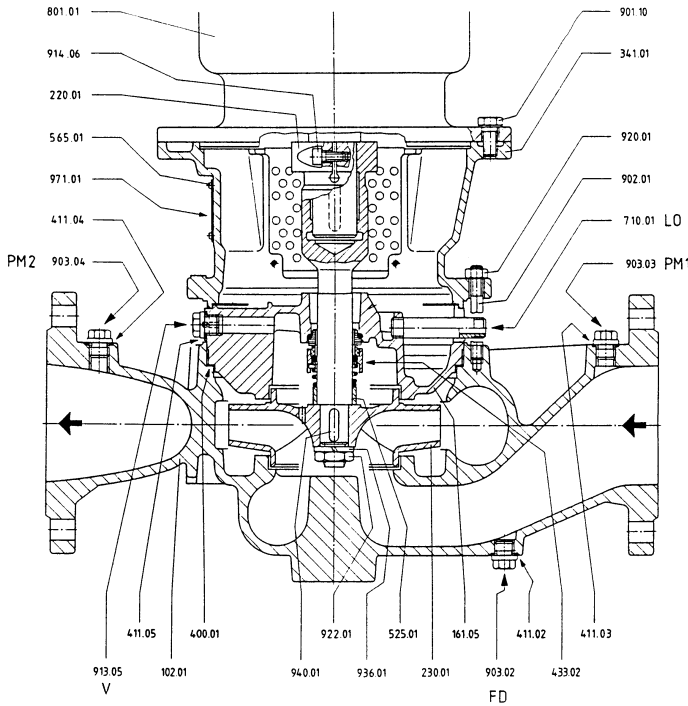


18	–	–
19	–	–
20	–	–
21	Motor voltage incorrect.	Use motor with correct voltage.
22	Motor runs only to two phases.	1. Check cable connection. 2. Replace fuses.
23	Screws not tight.	1. Tighten screws. 2. Replace gaskets.
24	Impeller out-of-true.	1. Clean impeller. 2. Re-balance impeller.
25	–	–
26	Delivery rate below minimum.	Increase delivery rate to minimum.
27	Pumped liquid corroding mechanical seal material.	Check pumped liquid (e.g.: incorrect temperature, concentration, dosing of additives, etc.)

① Consult factory

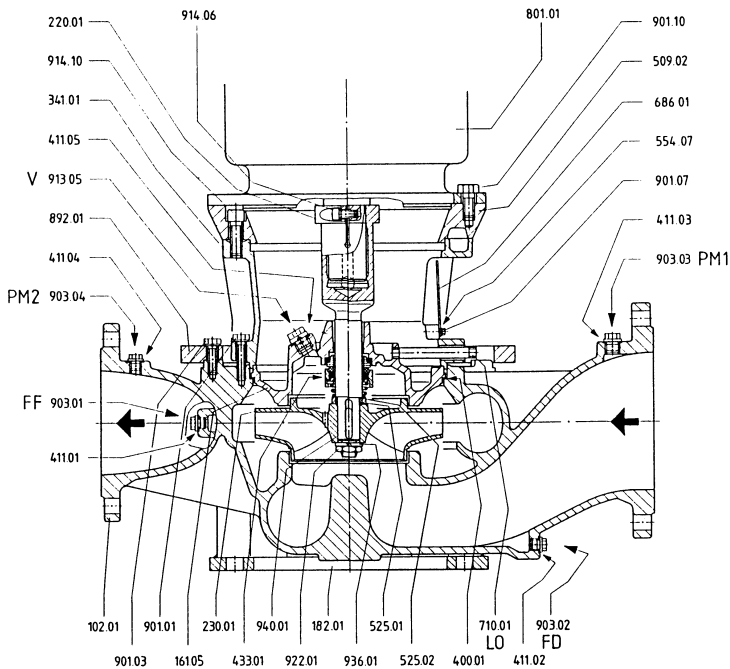
9 Associated Documentation

**Sectional drawing – Series NISM**  
single-stage sizes with shaft diameter 30 at the shaft seal



Shaft seal: uncooled, unbalanced mechanical seal  
Abbreviation: **U3...D**

**Sectional drawing – Series NISM**  
sizes with shaft diameter 40 at the shaft seal



Shaft seal: uncooled, unbalanced mechanical seal  
Abbreviation: **U3...D**

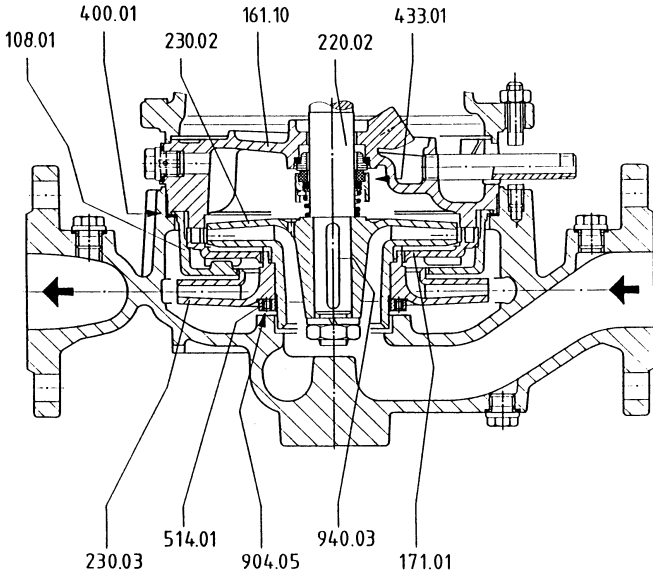
Denomination	Part No.
Volute casing	102.01
Stage casing	108.01
Casing cover	161...
Diffuser	171.01
Plug-in shaft	220.01
Plug-in shaft	220.02
Impeller	230.01
Impeller first stage	230.02
Impeller second stage	230.03
Motor stool	341.01
Gasket	400.01
Gasket	400.02
Joint ring	411.01
Joint ring	411.02
Joint ring	411.03
Joint ring	411.04
O-ring	412.01
O-ring	412.07
Mechanical seal	433...
Intermediate ring	509.01
Intermediate ring	509.02
Threaded ring	514.01
Spacer sleeve	525.01
Spacer sleeve	525.02
Washer	554.07
Washer	554.15
Rivet	565.01
Guard plate	686.01
Pipe	710.01
Flange motor	801.01
Hexagon screw	901.01
Hexagon screw	901.02
Hexagon screw	901.03
Hexagon screw	901.03
Hexagon screw	901.07
Hexagon screw	901.07
Hexagon screw	901.10
Stud bolt	902.01
Stud bolt	902.03
Screw plug	903.01
Screw plug	903.02
Screw plug	903.03
Screw plug	903.04
Screw plug	903.14
Grub screw	904.05
Air release plug	913.05
Socket-head cap screw	914.06
Socket-head cap screw	914.10
Hexagon nut	920.01
Hexagon nut	920.03
Impeller nut	922.01
Spring ring	936.01
Key	940.01
Key	940.03
Name plate	971.01

Connections

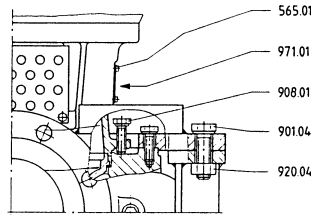
FD	Draining
FF	Filling
PM1	Pressure measuring device
PM2	Pressure measuring device

Variations of design and sealing

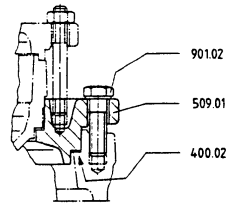
Two-stage sizes with shaft diameter 30 at the shaft seal  
 Mechanical seal unbalanced  
**U3...D**



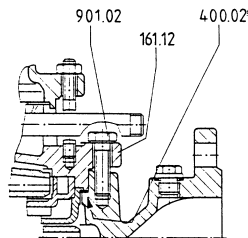
Fixing of pump feet to base plate



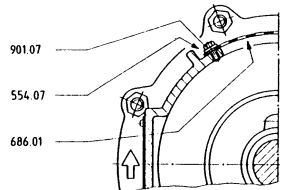
Design with intermediate ring



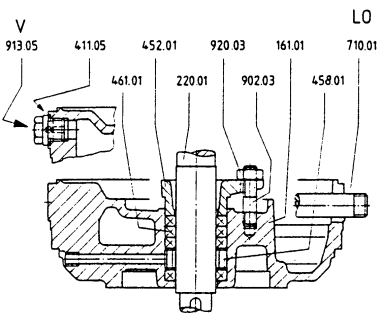
Casing cover design with sizes 2/40–250 and 2/50–250



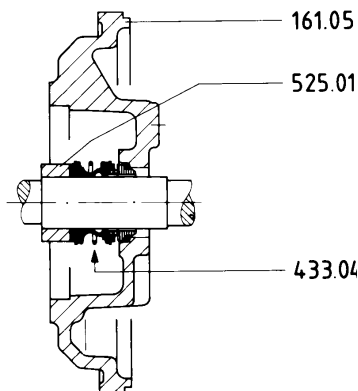
Fixing of guard plate to the drive lantern  
 Protection against accidental contact according to EN 809



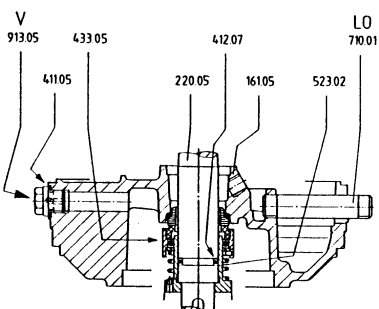
Stuffing box packing with internal sealing  
**U1B**  
 only with single-stage sizes



Mechanical seal unbalanced  
**U3.9D, U3.12D**



Mechanical seal balanced  
**U2...D**



**Order-specific Documentation**

These operating instructions are supplemented by the following documents:

	Acceptance of order	No.
	Data sheet	No.
	Installation drawing	No.
	Sectional drawing	No.
	Part list	No.

Subject to technical alterations.



A Member of the  
COLFAX PUMP GROUP  
**ALLWEILER AG • Werk Radolfzell**  
Postfach 1140 • 78301 Radolfzell  
Allweilerstraße 1 • 78315 Radolfzell  
Germany  
Tel. +49 (0)7732 86-0  
Fax +49 (0)7732 86-436  
E-mail: [service@allweiler.de](mailto:service@allweiler.de)  
Internet: <http://www.allweiler.com>