


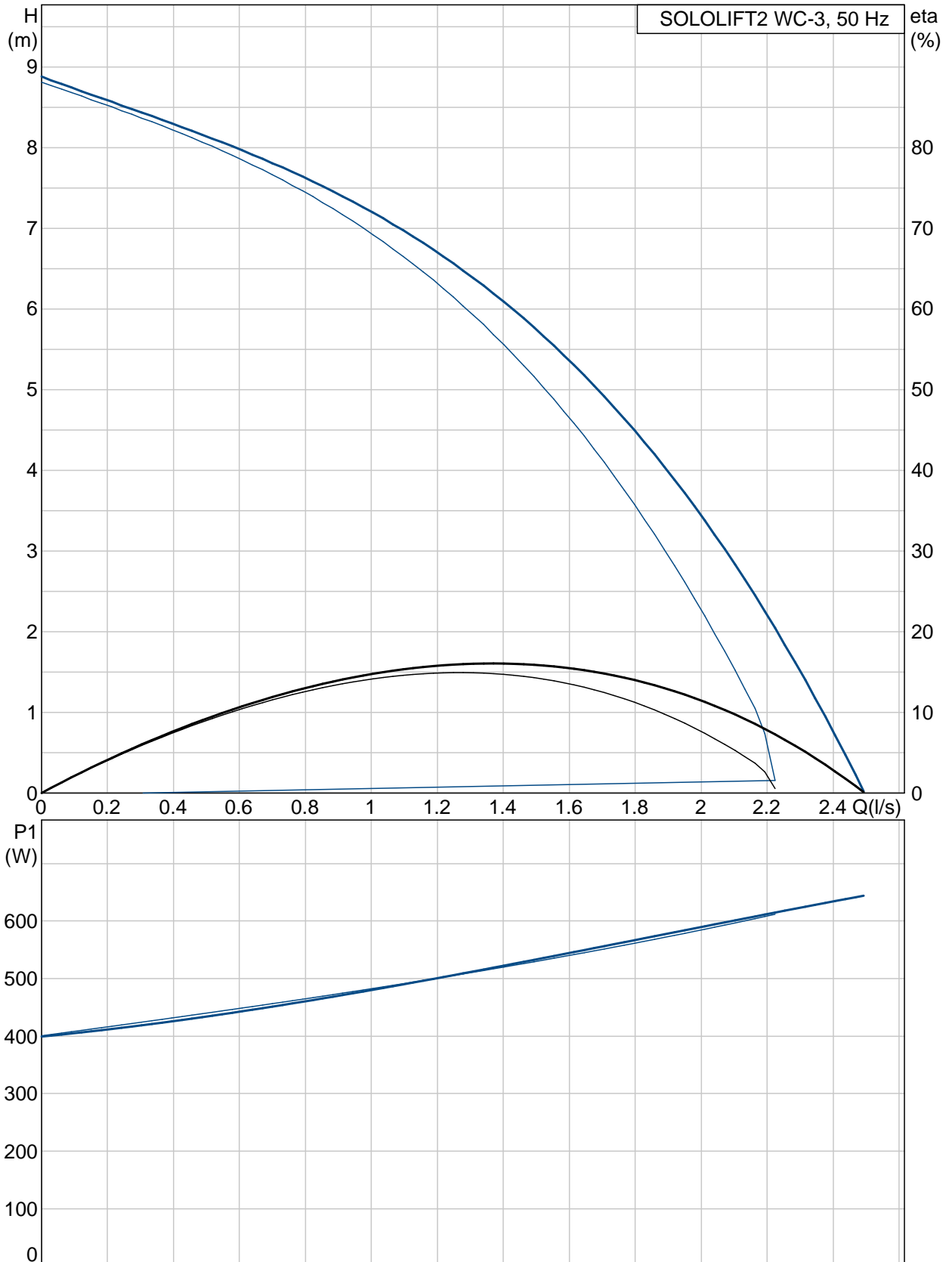


Position	Qty.	Description	Single Price
	-1	<p>SOLOLIFT2 WC-3</p>  <p>Note! Product picture may differ from actual product</p> <p>Product No.: 97775325</p> <p>Sololift2 WC-3 is a small, compact automatic lifting station suitable for pumping of wastewater off places in private dwellings where wastewater cannot be led directly to the sewer by means of a natural downward slope.</p> <p>Sololift2 WC-3 is suitable for pumping wastewater from a toilet containing toilet paper and faeces with additional connections on the lid and to the sides of the tank for e.g. washbasin, shower or bidet.</p> <p>The pumping of liquids containing other material may cause faults and limit the scope of guarantee.</p> <p>Sololift2 WC-3 is typically used to dewater:</p> <ul style="list-style-type: none"> • toilet, washbasin, shower and bidet in basements below sewer level, in connection with the renovation or modernisation of existing buildings, where the location may be remote from the main soil pipe so that a natural slope cannot be established. <p>Extremely low switching levels for lowest construction heights, advantageously in case of connection of a shower receptor.</p> <p>The compact lifting station is equipped with</p> <ul style="list-style-type: none"> - Cable with or without plug (see technical data) - Horizontal or vertical fastening possibility of discharge hose connector with several adaptors for pipes with Ø22-40mm <p>-Integrated non return valve</p> <ul style="list-style-type: none"> - Dry and high performance motor unit incl. thermal protection, pressure switch and controller - DN100 toilet connection hose - Two flexible connectors for inlet (adjustable in height) of pipes Ø36 or 40 - Slot for an alarm board with buzzer (accessory) - Manual anti clogging function and separate drain connection for service - Venting valve with overflow protection - Uplift fixation clips <p>Design according to EN12050-3 and production inspection by external institute with unique features focused on quick installation, long lasting operation and easy clean service.</p> <p>Liquid: Maximum liquid temperature: 50 °C</p>	On request

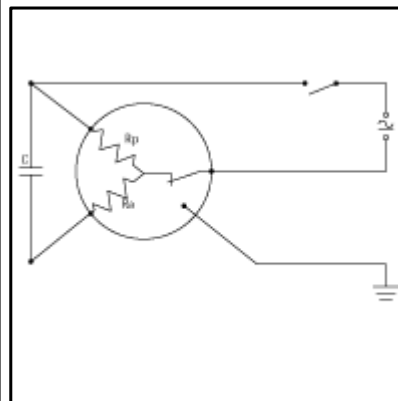
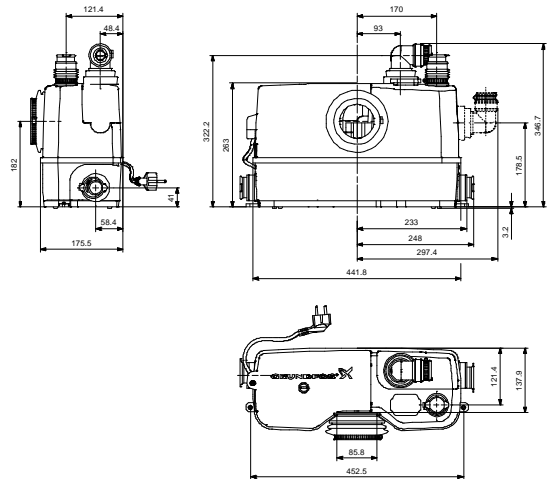
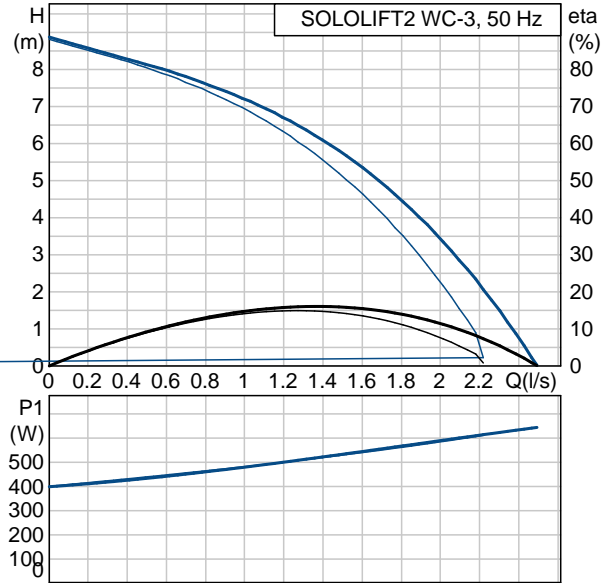
Position	Qty.	Description	Single Price
		<p>Technical: Approvals on nameplate: CE</p> <p>Installation: Pump inlet: 32/36/40, 36/40/50, DN 100 Pump outlet: 22/25/28/32/36/40 Number of leads: 3X0,75MM2</p> <p>Electrical data: Power input - P1: 0.62 kW Mains frequency: 50 Hz Rated voltage: 1 x 220-240 V Rated current: 3 A Cos phi - power factor: 0,92 Rated speed: 2800 rpm Enclosure class (IEC 34-5): 24 Insulation class (IEC 85): F Length of cable: 1.2 m Cable type: H05VV-F Type of cable plug: TYPE I</p> <p>Others: Net weight: 7.3 kg Gross weight: 9.3 kg</p>	



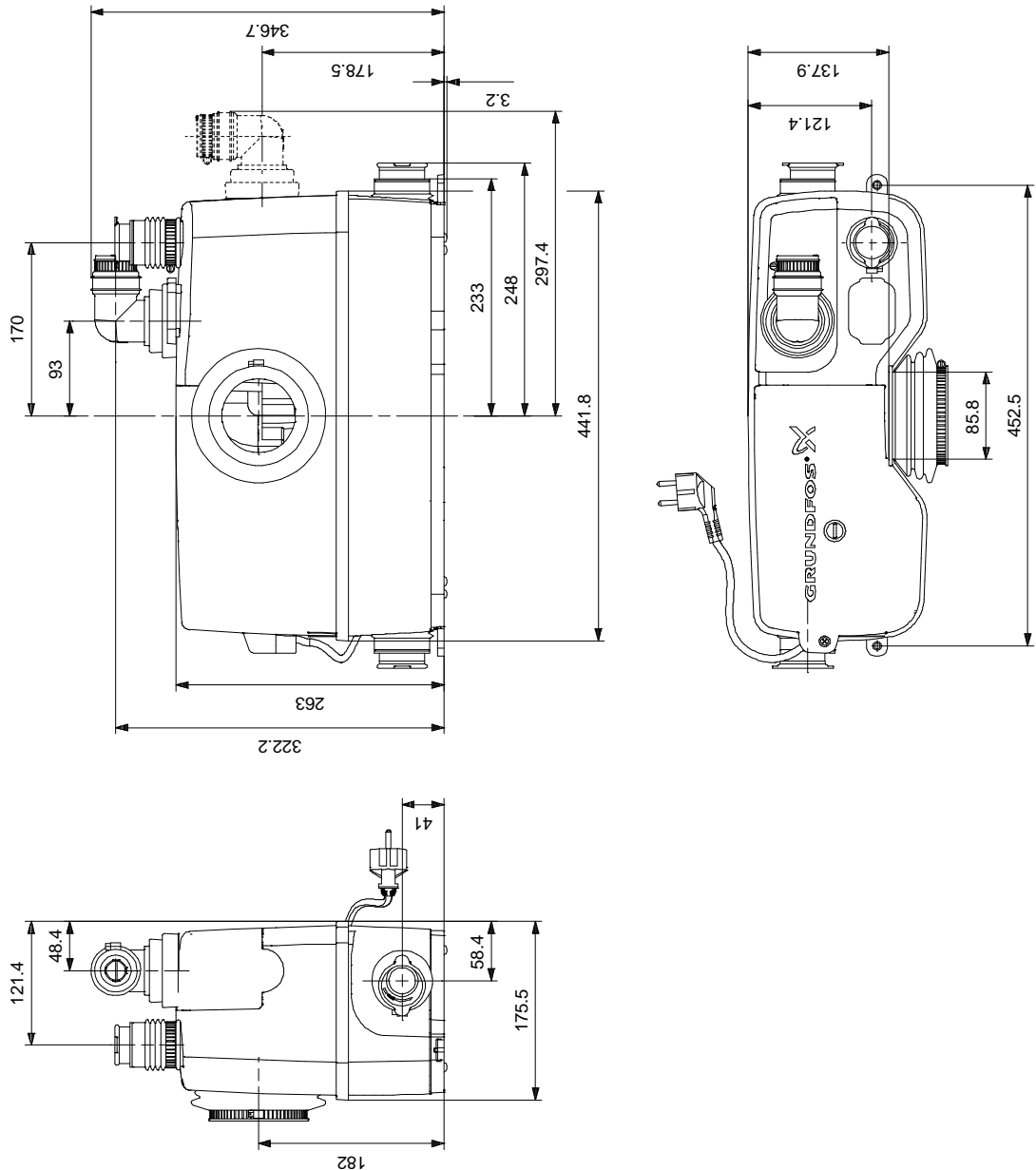
97775325 SOLOLIFT2 WC-3 50 Hz



Description	Value
Product name:	SOLOLIFT2 WC-3
Product No:	97775325
EAN number:	5710624187340
Technical:	
Head max:	8.5 m
Approvals on nameplate:	CE
Installation:	
Pump inlet:	32/36/40, 36/40/50, DN 100
Pump outlet:	22/25/28/32/36/40
Number of leads:	3X0,75MM2
Liquid:	
Maximum liquid temperature:	50 °C
Electrical data:	
Power input - P1:	0.62 kW
Mains frequency:	50 Hz
Rated voltage:	1 x 220-240 V
Rated current:	3 A
Cos phi - power factor	0,92
Rated speed:	2800 rpm
Enclosure class (IEC 34-5):	24
Insulation class (IEC 85):	F
Thermal protec:	THERMIK S06-150-05
Length of cable:	1.2 m
Cable type:	H05VV-F
Type of cable plug:	TYPE I
Others:	
Net weight:	7.3 kg
Gross weight:	9.3 kg
Product range:	Australia

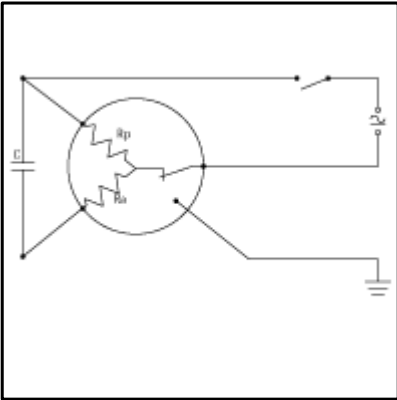


97775325 SOLOLIFT2 WC-3 50 Hz



Note! All units are in [mm] unless others are stated.
 Disclaimer: This simplified dimensional drawing does not show all details.

97775325 SOLOLIFT2 WC-3 50 Hz



Note! All units are in [mm] unless others are stated.