


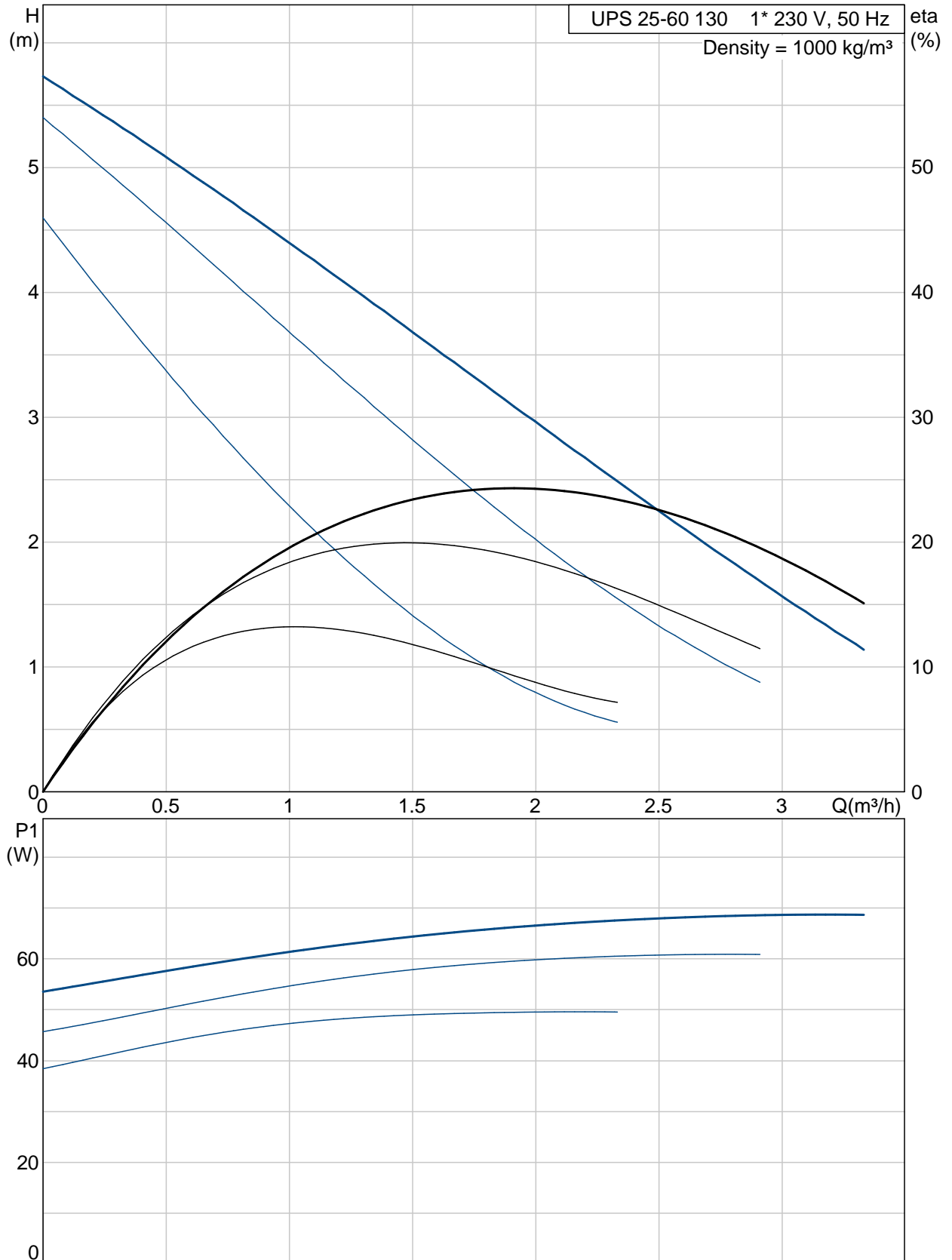


Position	Qty.	Description	Single Price
	-1	<p>UPS 25-60 130</p>  <p>Note! Product picture may differ from actual product</p> <p>Product No.: 96281480 The pump is of the canned rotor type, i.e. pump and motor form an integral unit without shaft seal and with only two gaskets for sealing. The bearings are lubricated by the pumped liquid. The pump has 3-step speed selector. The pump is characterized by:</p> <ul style="list-style-type: none"> * Ceramic shaft and radial bearings. * Carbon axial bearing. * Stainless steel rotor can and bearing plate. * Corrosion-resistant impeller, Composite, PES/PP. * Cast iron pump housing. <p>The motor is a 1-phase motor. No additional motor protection is required.</p> <p>Liquid: Liquid temperature range: 2 .. 110 °C</p> <p>Technical: TF class: 110 Approvals on nameplate: VDE,GS,B,CE</p> <p>Materials: Pump housing: Cast iron EN-JL1030 ASTM 30 B Impeller: Composite, PES/PP</p> <p>Installation: Amb. max at 80 dgr C liquid: 40 °C Maximum operating pressure: 10 bar Pipe connection: G 1 1/2 Pressure stage: PN 10 Port-to-port length: 130 mm</p> <p>Electrical data: Power input in speed 1: 50 W Power input in speed 2: 60 W Max. power input: 70 W Mains frequency: 50 Hz Rated voltage: 1 x 230 V</p>	On request

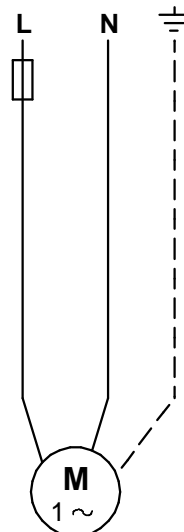
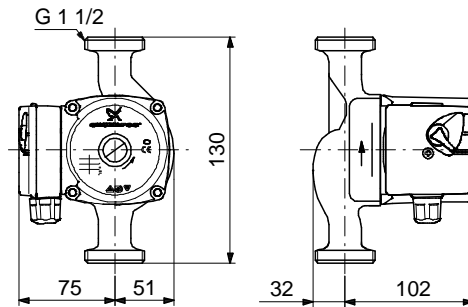
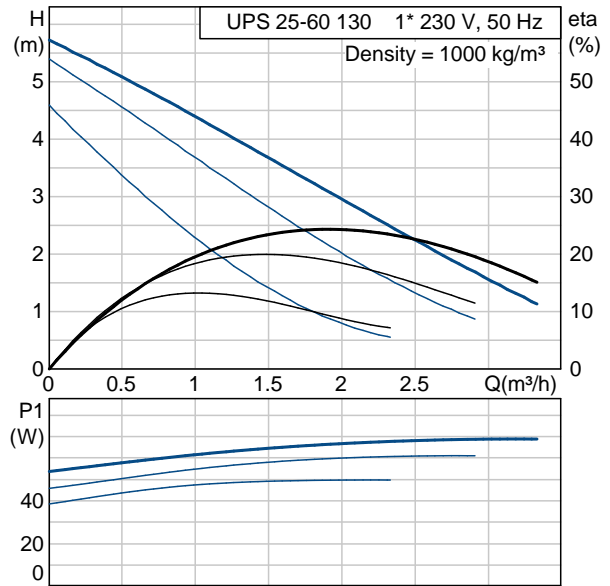
Position	Qty.	Description	Single Price
		<p>Current in speed 1: 0.22 A</p> <p>Current in speed 2: 0.27 A</p> <p>Current in speed 3: 0.3 A</p> <p>Capacitor size - run: 2.5 μF</p> <p>Enclosure class (IEC 34-5): 44</p> <p>Insulation class (IEC 85): F</p> <p>Others:</p> <p>Net weight: 2.4 kg</p> <p>Gross weight: 2.6 kg</p> <p>Shipping volume: 0.004 m3</p> <p>Energy label: C</p>	



96281480 UPS 25-60 130 50 Hz

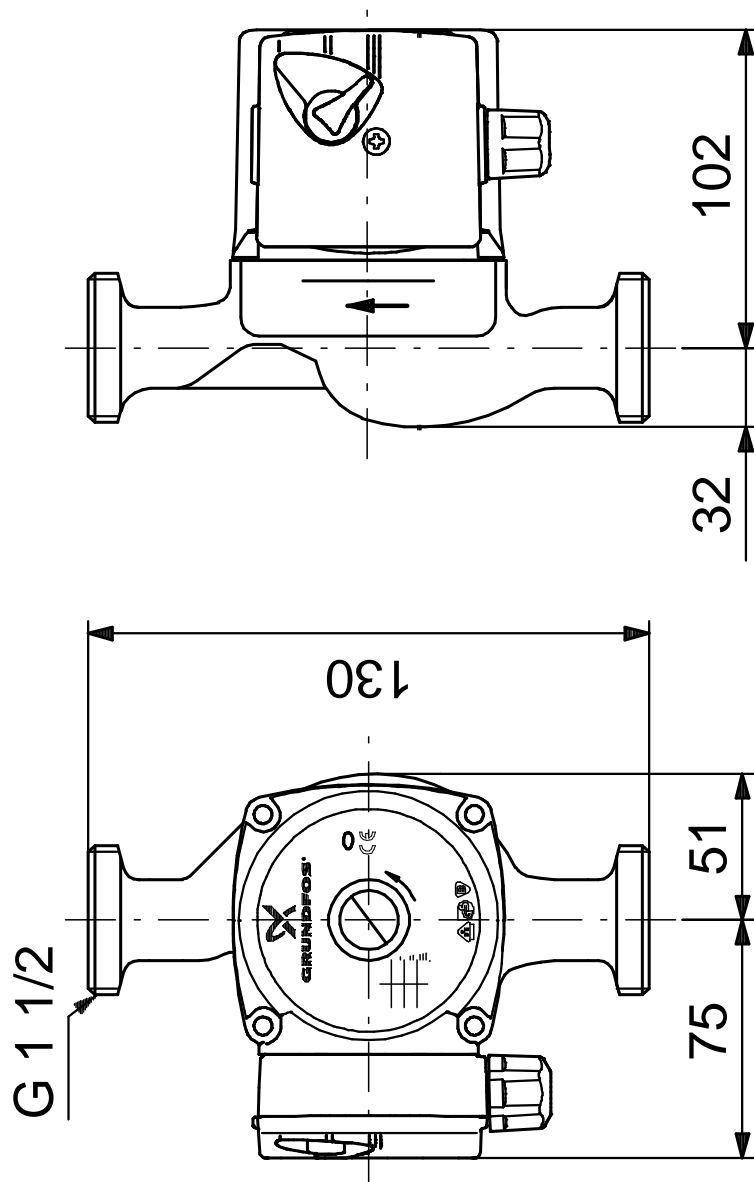


Description	Value
Product name:	UPS 25-60 130
Product No:	96281480
EAN number:	5700830458341
Technical:	
Speed no:	3
Head max:	60 dm
TF class:	110
Approvals on nameplate:	VDE,GS,B,CE
Materials:	
Pump housing:	Cast iron EN-JL1030 ASTM 30 B
Impeller:	Composite, PES/PP
Installation:	
Amb. max at 80 dgr C liquid	40 °C
Maximum operating pressure	10 bar
Pipe connection:	G 1 1/2
Pressure stage:	PN 10
Port-to-port length:	130 mm
Liquid:	
Liquid temperature range	2 .. 110 °C
Electrical data:	
Power input in speed 1:	50 W
Power input in speed 2:	60 W
Max. power input:	70 W
Mains frequency:	50 Hz
Rated voltage:	1 x 230 V
Current in speed 1	0.22 A
Current in speed 2	0.27 A
Current in speed 3	0.3 A
Capacitor size - run	2.5 µF
Enclosure class (IEC 34-5):	44
Insulation class (IEC 85):	F
Motor protec:	NONE
Thermal protec:	Impedance protected
Controls:	
Pos term box:	9H
Others:	
Net weight:	2.4 kg
Gross weight:	2.6 kg
Shipping volume:	0.004 m3
Energy label:	C



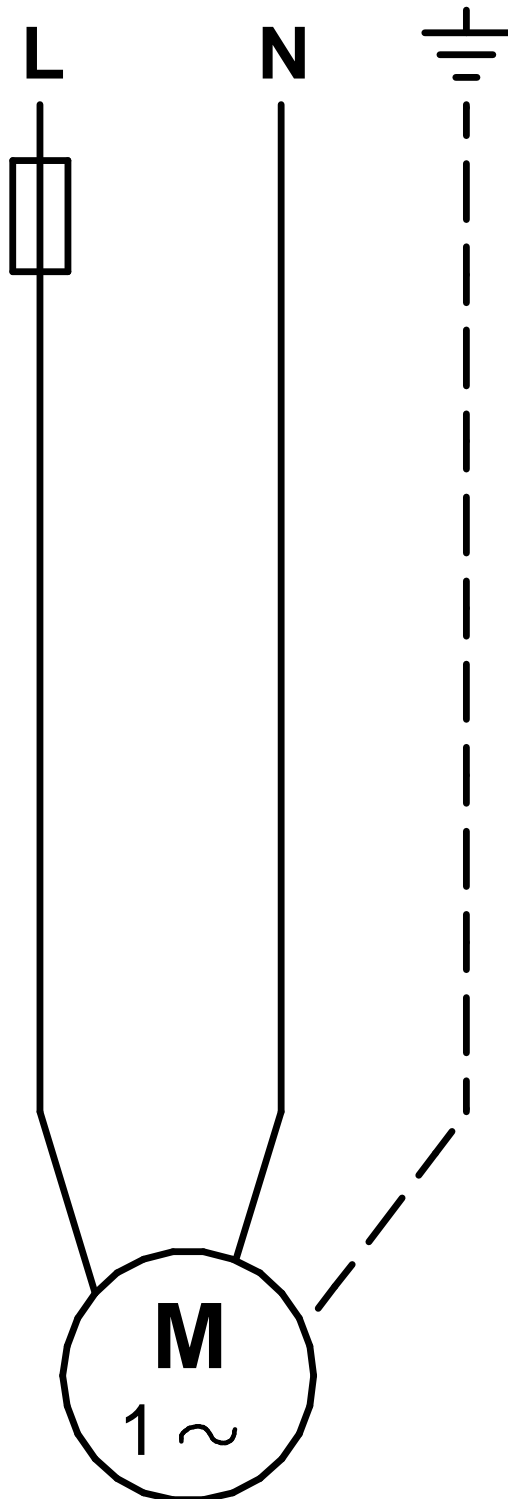


96281480 UPS 25-60 130 50 Hz



Note! All units are in [mm] unless others are stated.
Disclaimer: This simplified dimensional drawing does not show all details.

96281480 UPS 25-60 130 50 Hz



Note! All units are in [mm] unless others are stated.