


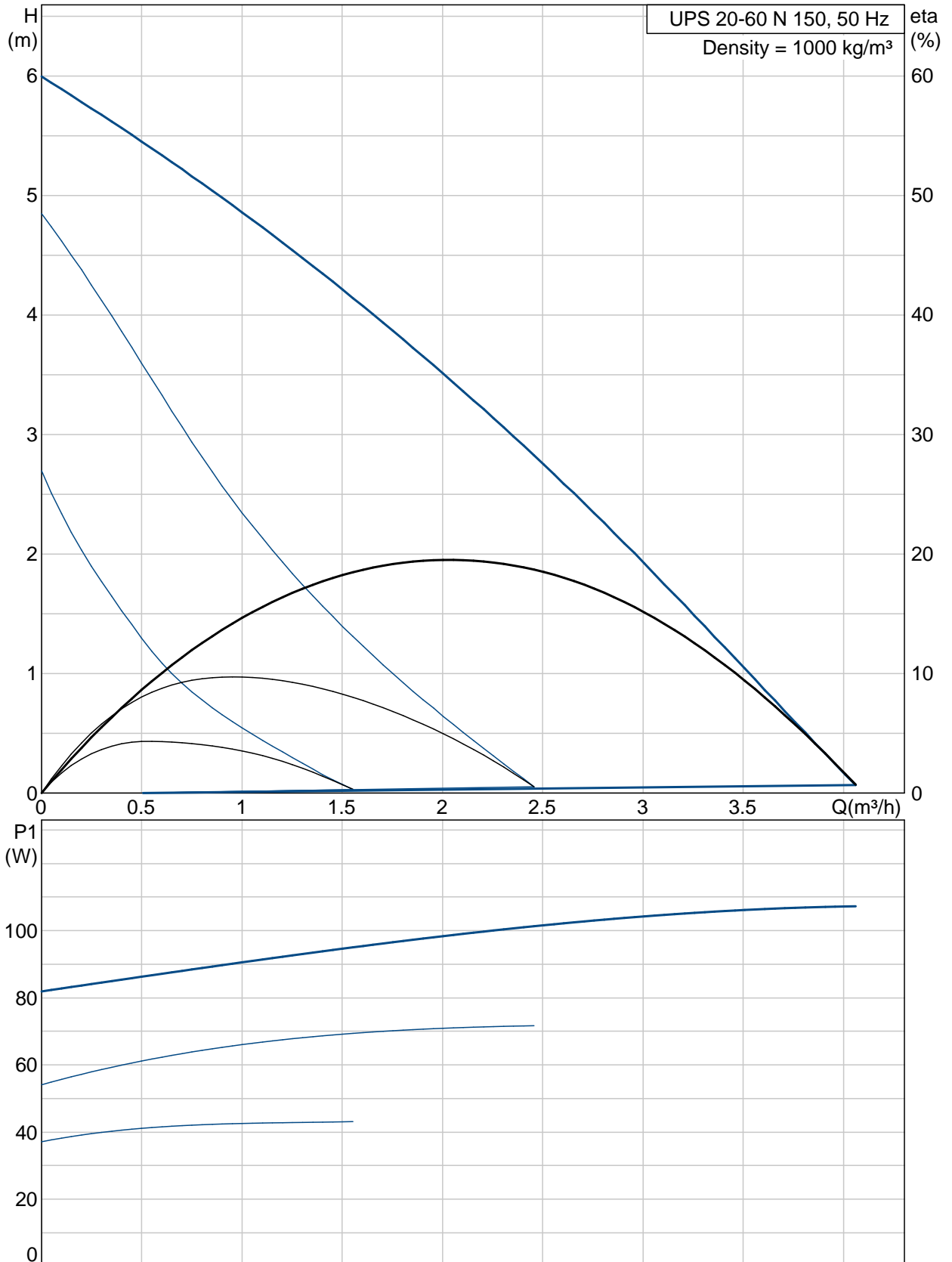


| Position | Qty. | Description   | Single Price |
|----------|------|---|--------------|
|          | -1   | <p><b>UPS 20-60 N 150</b></p>  <p><b>Note! Product picture may differ from actual product</b></p> <p>Product No.: 96913096<br/>                     The pump is of the canned rotor type, i.e. pump and motor form an integral unit without shaft seal and with only two gaskets for sealing. The bearings are lubricated by the pumped liquid. The pump has 3-step speed selector. The pump is characterized by:</p> <ul style="list-style-type: none"> <li>* Ceramic shaft and radial bearings.</li> <li>* Carbon axial bearing.</li> <li>* Stainless steel rotor can and bearing plate.</li> <li>* Corrosion-resistant impeller, Composite, PES/PP.</li> <li>* Stainless steel pump housing.</li> </ul> <p>The motor is a 1-phase motor.<br/>                     No additional motor protection is required.</p> <p><b>Liquid:</b><br/>                     Liquid temperature range: 2 .. 110 °C</p> <p><b>Technical:</b><br/>                     TF class: 110<br/>                     Approvals on nameplate: CE</p> <p><b>Materials:</b><br/>                     Pump housing: Stainless steel<br/>                     DIN W.-Nr. 1.4301<br/>                     Impeller: Composite, PES/PP</p> <p><b>Installation:</b><br/>                     Amb. max at 80 dgr C liquid: 80 °C<br/>                     Maximum operating pressure: 10 bar<br/>                     Pipe connection: G 1 1/4<br/>                     Pressure stage: PN 10<br/>                     Port-to-port length: 150 mm</p> <p><b>Electrical data:</b><br/>                     Power input in speed 1: 35 W<br/>                     Power input in speed 2: 60 W<br/>                     Max. power input: 90 W<br/>                     Mains frequency: 50 Hz<br/>                     Rated voltage: 1 x 240 V<br/>                     Current in speed 1: 0.15 A</p> | On request   |

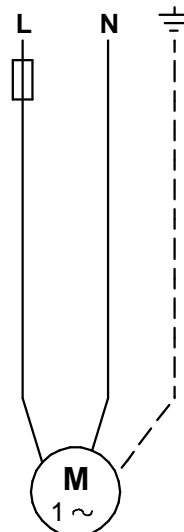
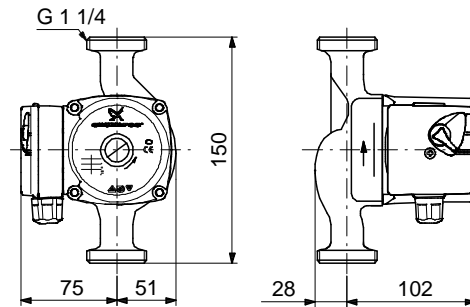
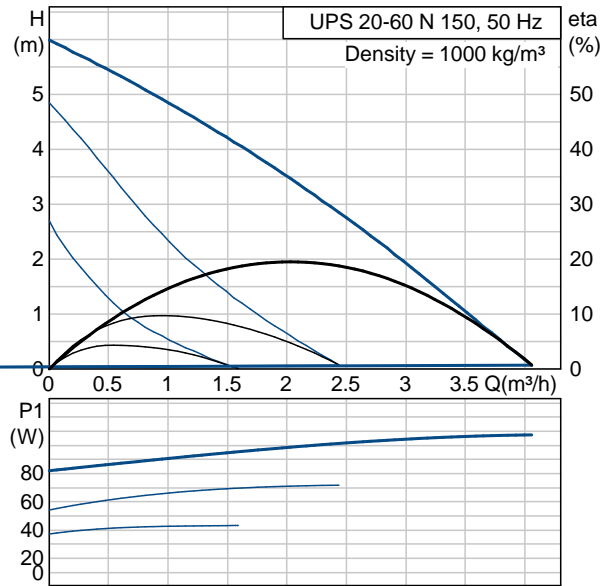
| Position | Qty. | Description   | Single Price |
|----------|------|---|--------------|
|          |      | <p>Current in speed 2: 0.25 A</p> <p>Current in speed 3: 0.37 A</p> <p>Capacitor size - run: 2 µF</p> <p>Enclosure class (IEC 34-5): 44</p> <p>Insulation class (IEC 85): H</p> <p><b>Others:</b></p> <p>Net weight: 2.8 kg</p> <p>Gross weight: 3 kg</p> <p>Shipping volume: 0.004 m3</p> <p>Energy label: D</p> |              |



**96913096 UPS 20-60 N 150 50 Hz**

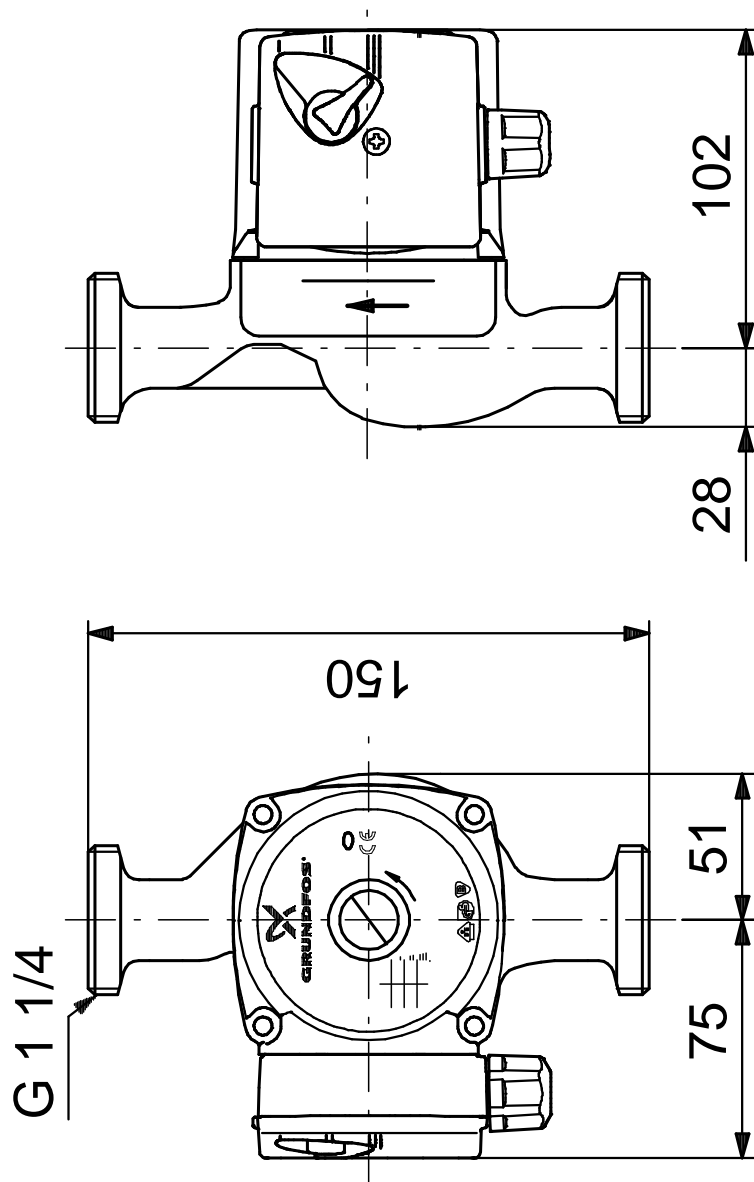


| Description                 | Value               |
|-----------------------------|---------------------|
| Product name:               | UPS 20-60 N 150     |
| Product No:                 | 96913096            |
| EAN number:                 | 5700313543779       |
| <b>Technical:</b>           |                     |
| Speed no:                   | 3                   |
| Head max:                   | 60 dm               |
| TF class:                   | 110                 |
| Approvals on nameplate:     | CE                  |
| <b>Materials:</b>           |                     |
| Pump housing:               | Stainless steel     |
|                             | DIN W.-Nr. 1.4301   |
| Impeller:                   | Composite, PES/PP   |
| <b>Installation:</b>        |                     |
| Amb. max at 80 dgr C liquid | 80 °C               |
| Maximum operating pressure  | 10 bar              |
| Pipe connection:            | G 1 1/4             |
| Pressure stage:             | PN 10               |
| Port-to-port length:        | 150 mm              |
| <b>Liquid:</b>              |                     |
| Liquid temperature range    | 2 .. 110 °C         |
| <b>Electrical data:</b>     |                     |
| Power input in speed 1:     | 35 W                |
| Power input in speed 2:     | 60 W                |
| Max. power input:           | 90 W                |
| Mains frequency:            | 50 Hz               |
| Rated voltage:              | 1 x 240 V           |
| Current in speed 1          | 0.15 A              |
| Current in speed 2          | 0.25 A              |
| Current in speed 3          | 0.37 A              |
| Capacitor size - run        | 2 µF                |
| Enclosure class (IEC 34-5): | 44                  |
| Insulation class (IEC 85):  | H                   |
| Motor protec:               | NONE                |
| Thermal protec:             | Impedance protected |
| <b>Controls:</b>            |                     |
| Pos term box:               | 9H                  |
| <b>Others:</b>              |                     |
| Net weight:                 | 2.8 kg              |
| Gross weight:               | 3 kg                |
| Shipping volume:            | 0.004 m3            |
| Energy label:               | D                   |



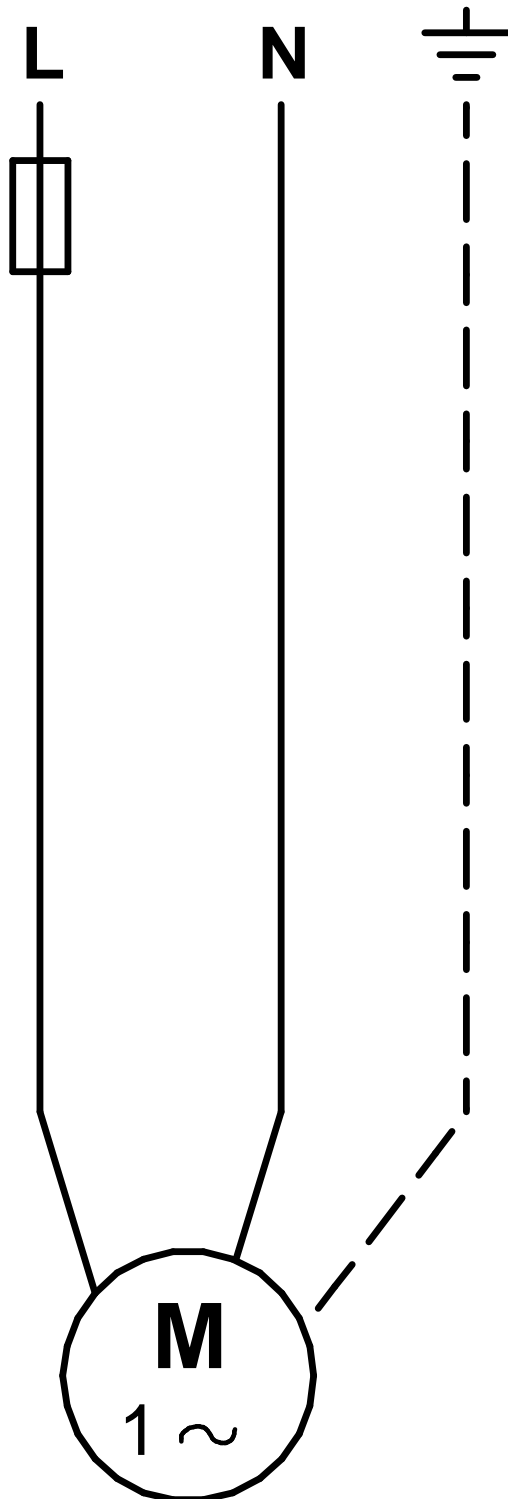


## 96913096 UPS 20-60 N 150 50 Hz



Note! All units are in [mm] unless others are stated.  
Disclaimer: This simplified dimensional drawing does not show all details.

96913096 UPS 20-60 N 150 50 Hz



Note! All units are in [mm] unless others are stated.