
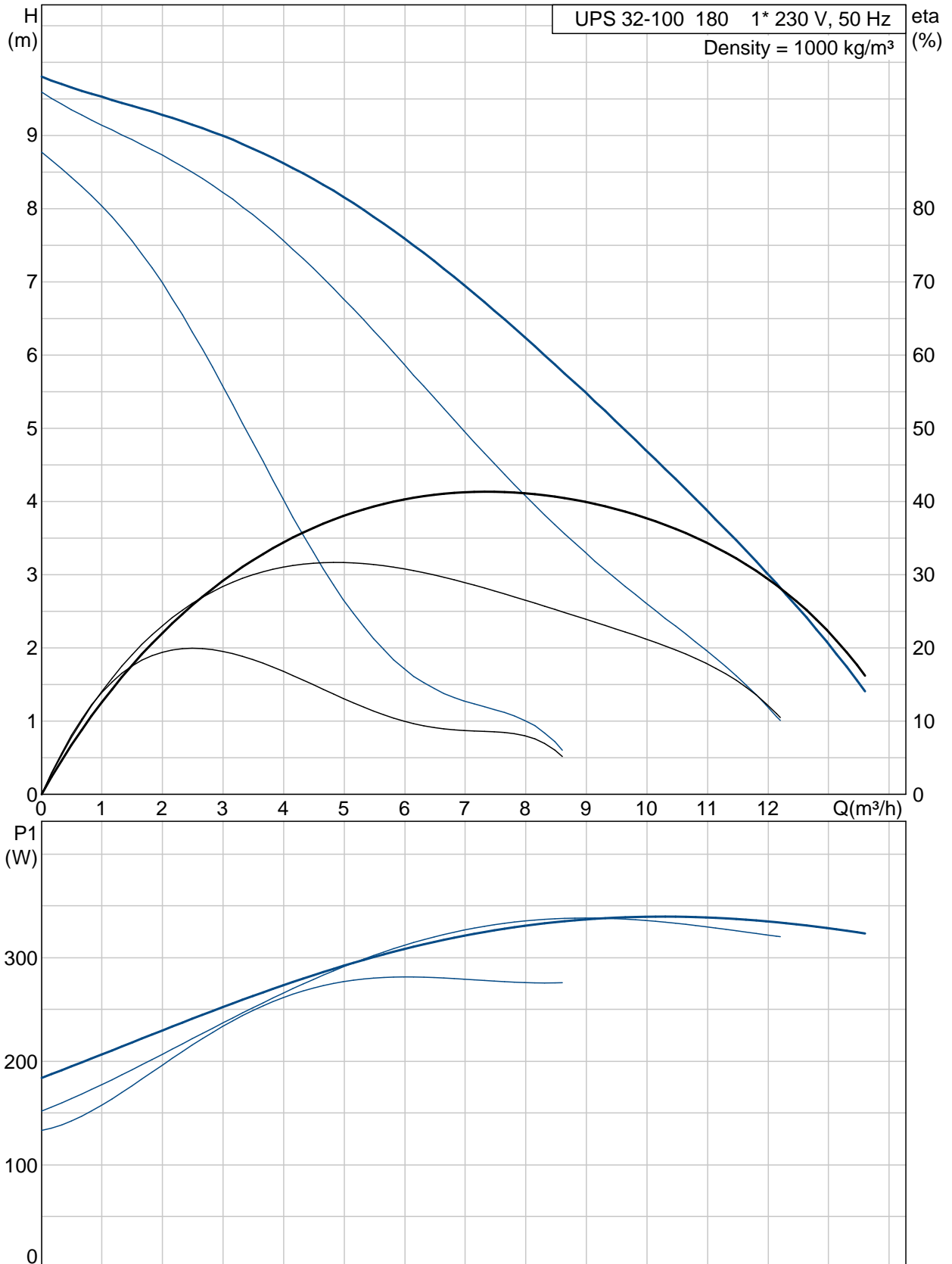




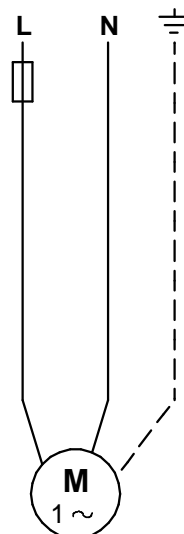
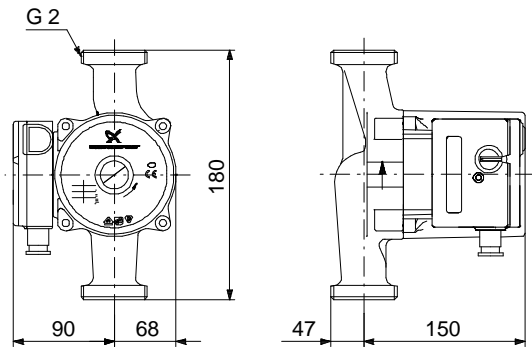
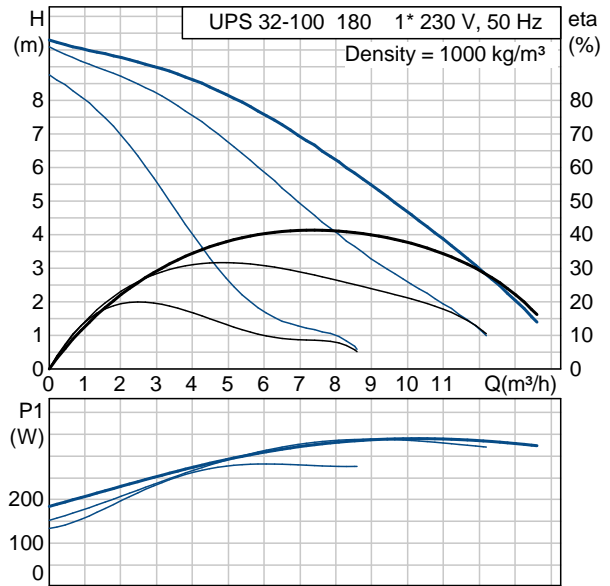
Position	Qty.	Description	Single Price
	-1	<p>UPS 32-100 180</p>  <p>Note! Product picture may differ from actual product</p> <p>Product No.: 95906500 The pump is of the canned rotor type, i.e. pump and motor form an integral unit without shaft seal and with only two gaskets for sealing. The bearings are lubricated by the pumped liquid. The pump has 3-step speed selector. The pump is characterized by:</p> <ul style="list-style-type: none"> * Stainless steel shaft. * Ceramic radial bearing system. * Carbon axial bearing. * Stainless steel rotor can and bearing plate. * Corrosion-resistant impeller, Composite, PES/PP. * Cast iron pump housing. <p>The motor is a 1-phase motor. No additional motor protection is required.</p> <p>Liquid: Liquid temperature range: -25 .. 110 °C</p> <p>Technical: TF class: 110 Approvals on nameplate: CE</p> <p>Materials: Pump housing: Cast iron EN-JL1030 ASTM 30 B Impeller: Composite, PES/PP</p> <p>Installation: Amb. max at 80 dgr C liquid: 40 °C Maximum operating pressure: 10 bar Pipe connection: G 2 Pressure stage: PN 10 Port-to-port length: 180 mm</p> <p>Electrical data: Power input in speed 1: 280 W Power input in speed 2: 340 W Max. power input: 345 W Mains frequency: 50 Hz</p>	On request

Position	Qty.	Description	Single Price
		<p>Rated voltage: 1 x 230 V</p> <p>Current in speed 1: 1.3 A</p> <p>Current in speed 2: 1.5 A</p> <p>Current in speed 3: 1.52 A</p> <p>Capacitor size - run: 9.5 µF</p> <p>Enclosure class (IEC 34-5): X4D</p> <p>Insulation class (IEC 85): H</p> <p>Others:</p> <p>Net weight: 6.4 kg</p> <p>Gross weight: 6.9 kg</p> <p>Shipping volume: 0.012 m3</p> <p>Energy label: C</p>	

95906500 UPS 32-100 180 50 Hz

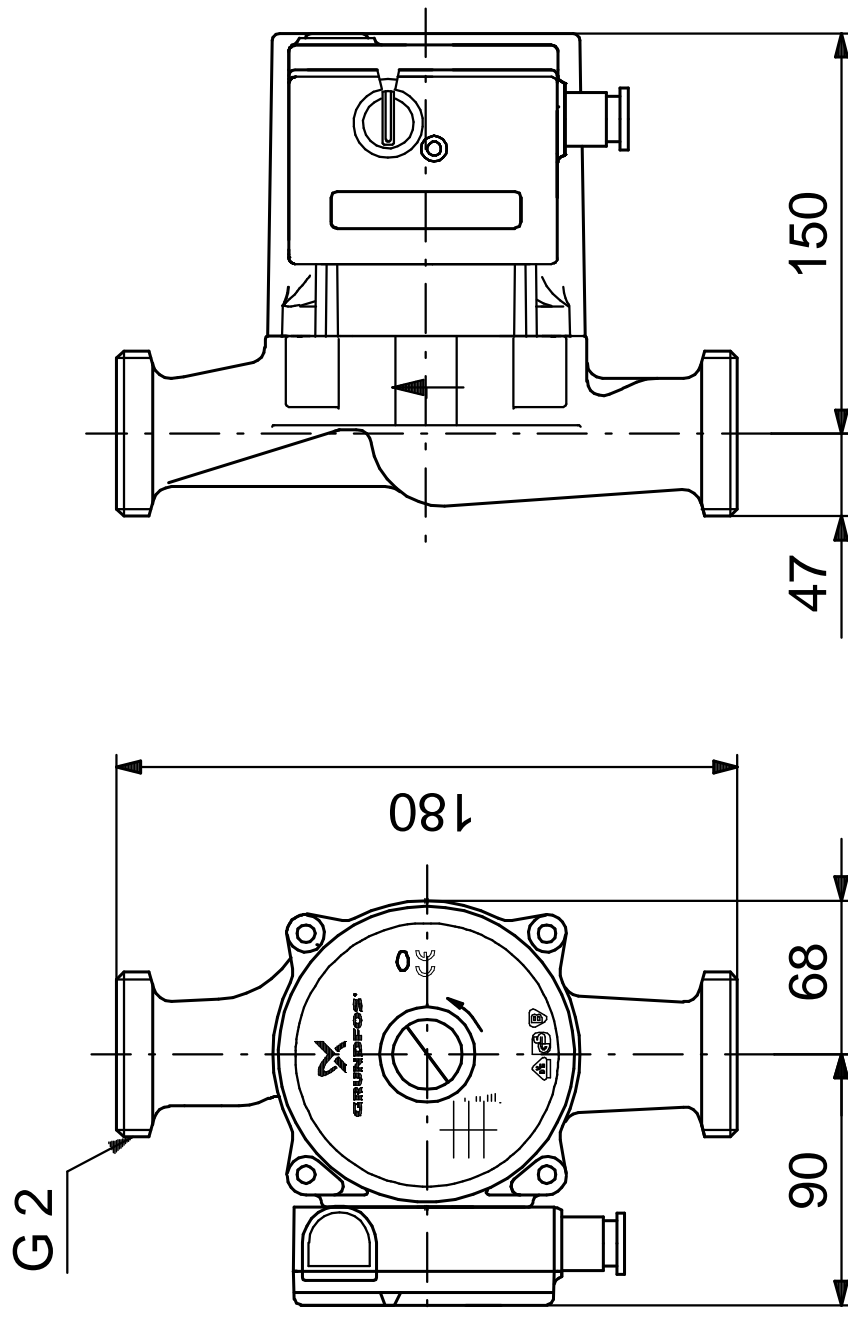


Description	Value
Product name:	UPS 32-100 180
Product No:	95906500
EAN number:	5700312073079
Technical:	
Speed no:	3
Head max:	100 dm
TF class:	110
Approvals on nameplate:	CE
Materials:	
Pump housing:	Cast iron EN-JL1030
	ASTM 30 B
Impeller:	Composite, PES/PP
Installation:	
Amb. max at 80 dgr C liquid	40 °C
Maximum operating pressure	10 bar
Pipe connection:	G 2
Pressure stage:	PN 10
Port-to-port length:	180 mm
Liquid:	
Liquid temperature range	-25 .. 110 °C
Electrical data:	
Power input in speed 1:	280 W
Power input in speed 2:	340 W
Max. power input:	345 W
Mains frequency:	50 Hz
Rated voltage:	1 x 230 V
Current in speed 1	1.3 A
Current in speed 2	1.5 A
Current in speed 3	1.52 A
Capacitor size - run	9.5 µF
Enclosure class (IEC 34-5):	X4D
Insulation class (IEC 85):	H
Motor protec:	CONTACT
Thermal protec:	internal
Controls:	
Pos term box:	9H
Others:	
Net weight:	6.4 kg
Gross weight:	6.9 kg
Shipping volume:	0.012 m3
Energy label:	C





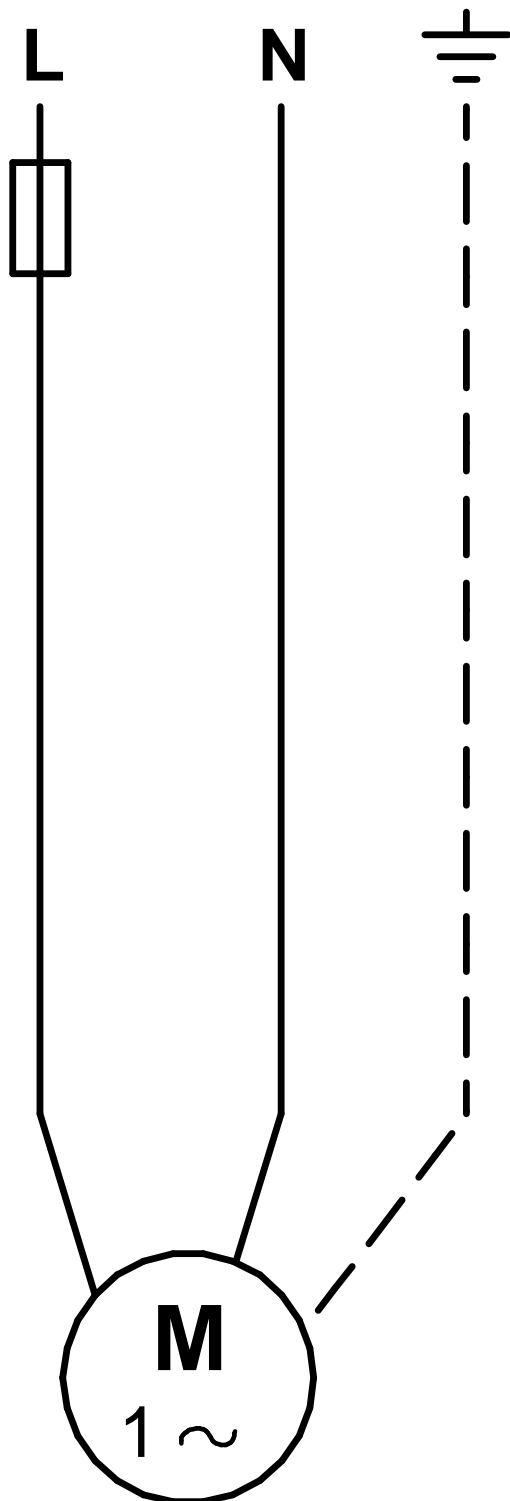
95906500 UPS 32-100 180 50 Hz



Note! All units are in [mm] unless others are stated.
Disclaimer: This simplified dimensional drawing does not show all details.



95906500 UPS 32-100 180 50 Hz



Note! All units are in [mm] unless others are stated.