



Position	Qty.	Description	Single Price
	-1	<p>UPS 32-100 N 180</p> <div data-bbox="336 371 716 795" data-label="Image"> </div> <p>Note! Product picture may differ from actual product</p> <p>Product No.: 95906489 The pump is of the canned rotor type, i.e. pump and motor form an integral unit without shaft seal and with only two gaskets for sealing. The bearings are lubricated by the pumped liquid. The pump has 3-step speed selector. The pump is characterized by:</p> <ul style="list-style-type: none"> * Stainless steel shaft. * Ceramic radial bearing system. * Carbon axial bearing. * Stainless steel rotor can and bearing plate. * Corrosion-resistant impeller, Composite, PES/PP. * Stainless steel pump housing. <p>The motor is a 1-phase motor. No additional motor protection is required.</p> <p>Liquid: Liquid temperature range: -25 .. 110 °C</p> <p>Technical: TF class: 110 Approvals on nameplate: CE</p> <p>Materials: Pump housing: Stainless steel DIN W.-Nr. 1.4301 AISI 304 Impeller: Composite, PES/PP</p> <p>Installation: Amb. max at 80 dgr C liquid: 40 °C Maximum operating pressure: 10 bar Pipe connection: G 2 Pressure stage: PN 10 Port-to-port length: 180 mm</p> <p>Electrical data: Power input in speed 1: 280 W Power input in speed 2: 340 W Max. power input: 345 W Mains frequency: 50 Hz</p>	On request



Company name: Webpumps

Created by: -

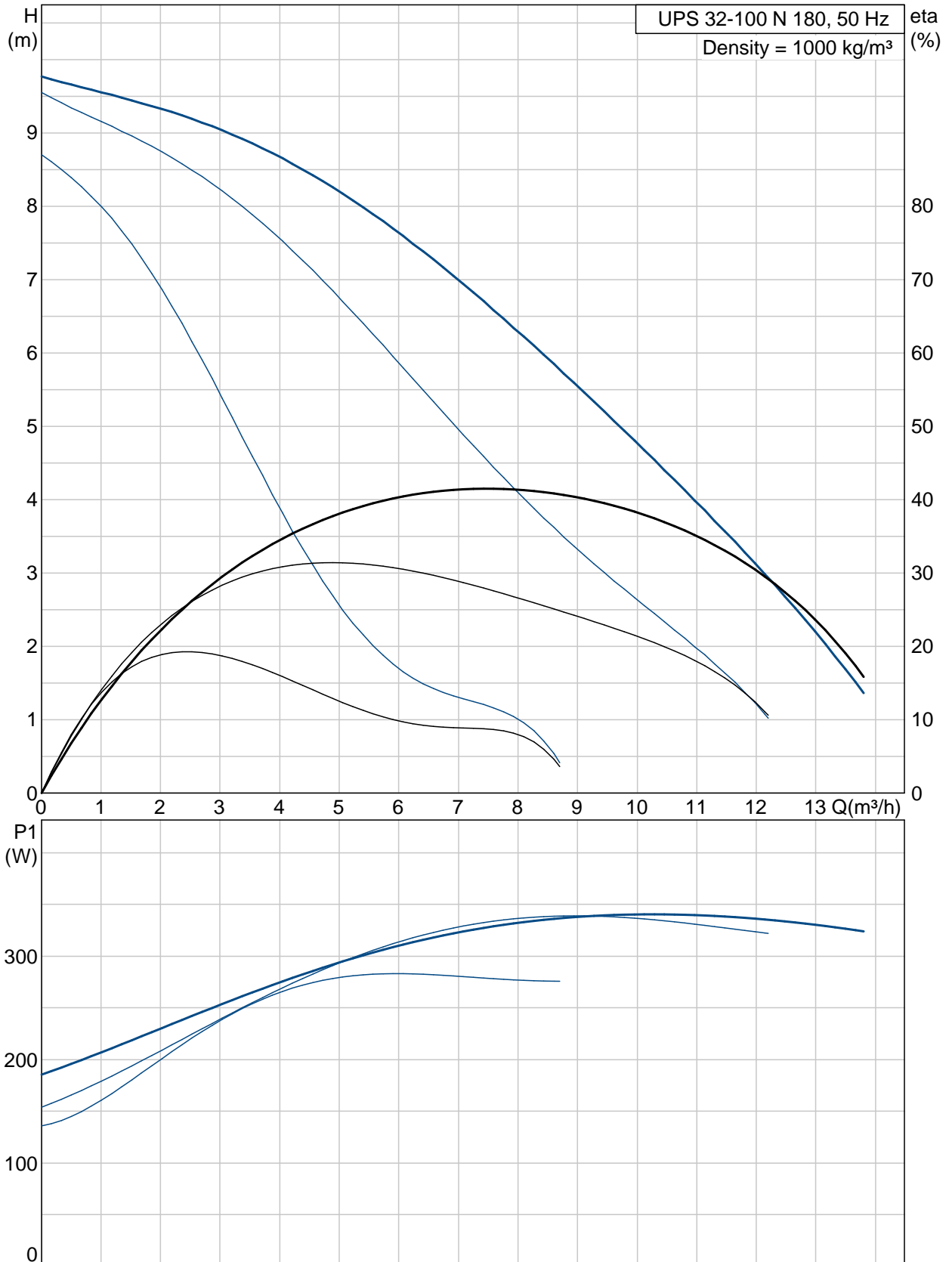
Phone: -

Fax: -

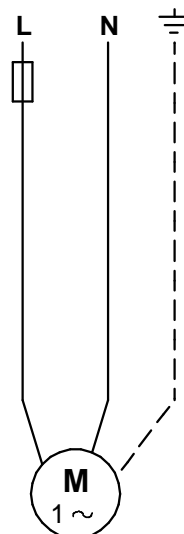
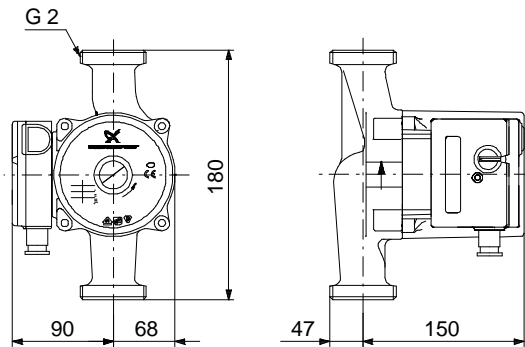
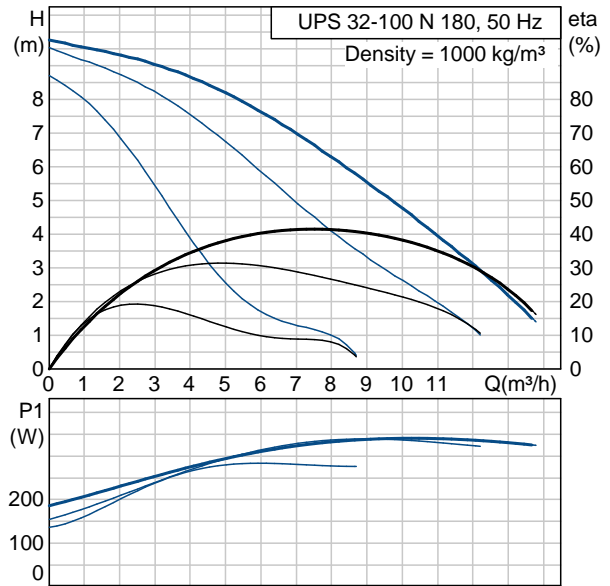
Date: -

Position	Qty.	Description	Single Price
		Rated voltage: 1 x 230 V Current in speed 1: 1.3 A Current in speed 2: 1.5 A Current in speed 3: 1.52 A Capacitor size - run: 9.5 µF Enclosure class (IEC 34-5): X4D Insulation class (IEC 85): H Others: Net weight: 6.4 kg Gross weight: 6.9 kg Shipping volume: 0.012 m3 Energy label: C	

95906489 UPS 32-100 N 180 50 Hz

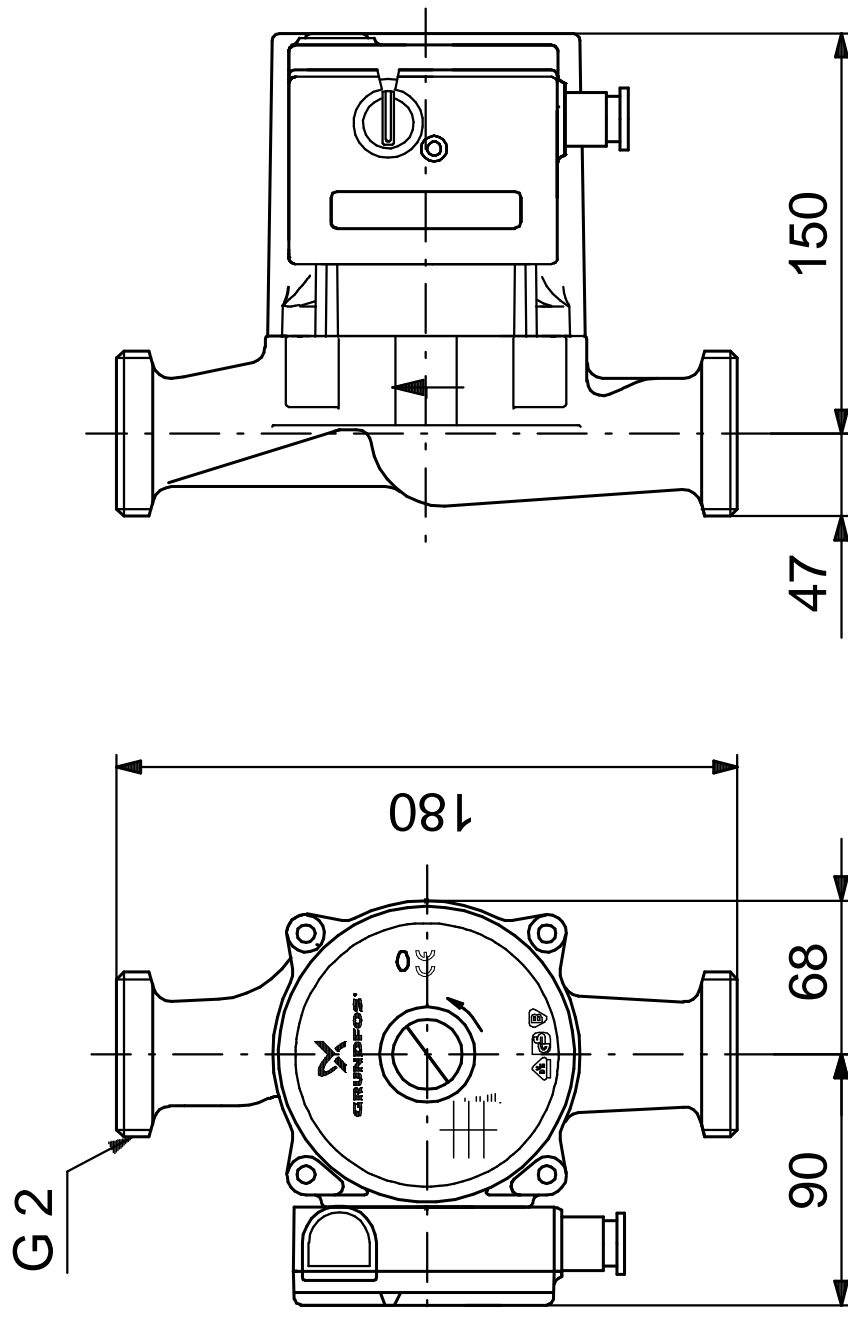


Description	Value
Product name:	UPS 32-100 N 180
Product No:	95906489
EAN number:	5700311289945
Technical:	
Speed no:	3
Head max:	100 dm
TF class:	110
Approvals on nameplate:	CE
Materials:	
Pump housing:	Stainless steel DIN W.-Nr. 1.4301 AISI 304
Impeller:	Composite, PES/PP
Installation:	
Amb. max at 80 dgr C liquid	40 °C
Maximum operating pressure	10 bar
Pipe connection:	G 2
Pressure stage:	PN 10
Port-to-port length:	180 mm
Liquid:	
Liquid temperature range	-25 .. 110 °C
Electrical data:	
Power input in speed 1:	280 W
Power input in speed 2:	340 W
Max. power input:	345 W
Mains frequency:	50 Hz
Rated voltage:	1 x 230 V
Current in speed 1	1.3 A
Current in speed 2	1.5 A
Current in speed 3	1.52 A
Capacitor size - run	9.5 µF
Enclosure class (IEC 34-5):	X4D
Insulation class (IEC 85):	H
Motor protec:	CONTACT
Thermal protec:	internal
Controls:	
Pos term box:	9H
Others:	
Net weight:	6.4 kg
Gross weight:	6.9 kg
Shipping volume:	0.012 m3
Energy label:	C





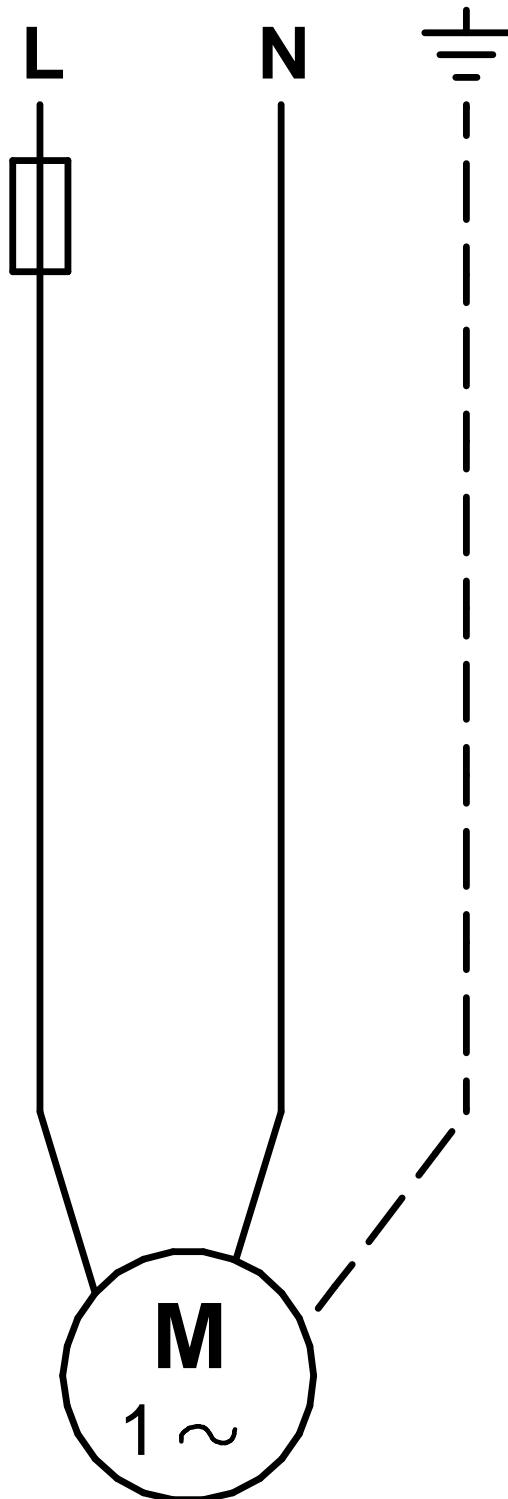
95906489 UPS 32-100 N 180 50 Hz



Note! All units are in [mm] unless others are stated.
Disclaimer: This simplified dimensional drawing does not show all details.



95906489 UPS 32-100 N 180 50 Hz



Note! All units are in [mm] unless others are stated.

