

## RotaCut™:

Compact foreign body separator with solid material macerator for sewage sludge and liquid manure.

The ideal protection for rotary lobe pumps.

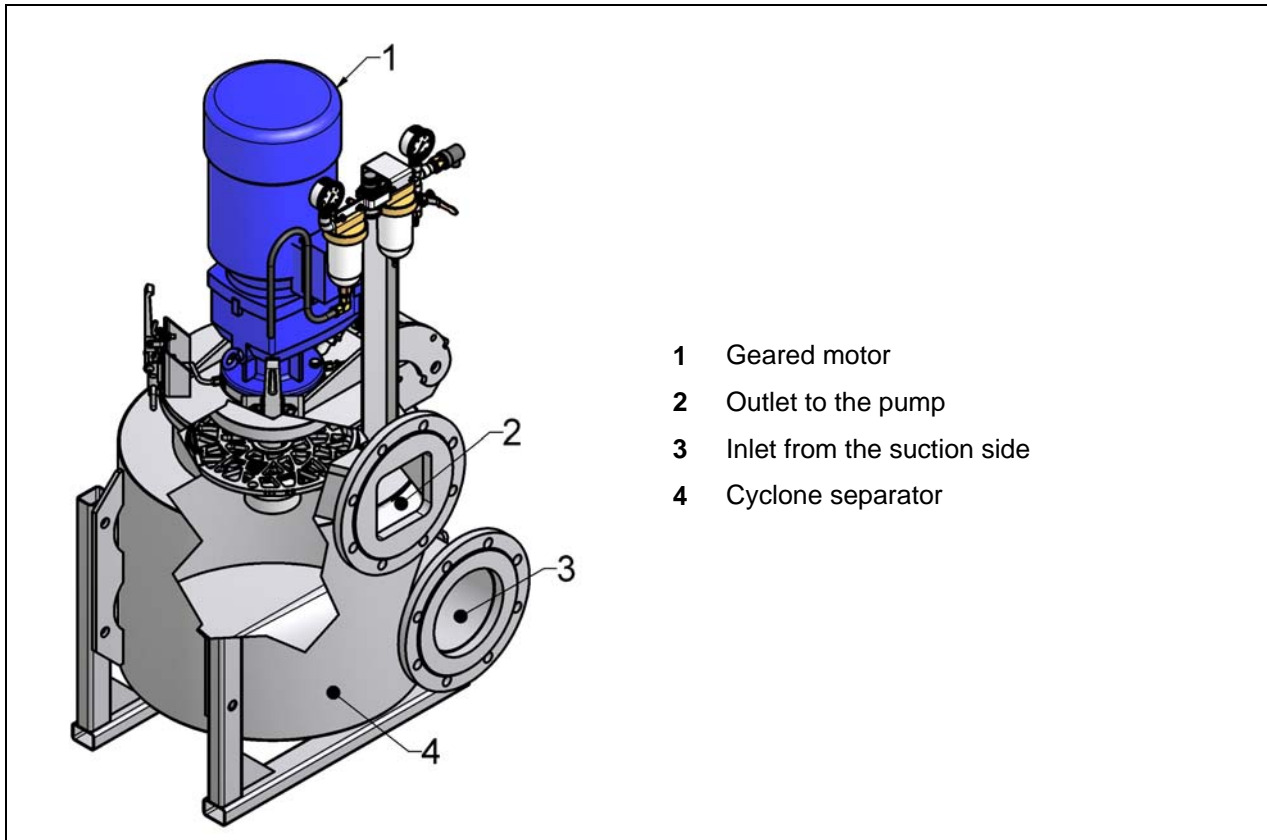


Fig. 1: RotaCut™ cyclone

### Applications:

- Slaughterhouses
- Sewage treatment plants
- Biogas technology
- Communal waste disposal systems
- Liquid manure production systems
- Liquid manure plants

## Description

- Separation of coarse foreign bodies (e.g. metal, stones, pieces of concrete).
- Shredding fibrous matter.
- Poultry feathers, binder twine, pieces of wood and much else are macerated without problems.
- Prevention of blockages or damage in downstream pumps, pipework and distribution systems.
- The blades are made of special tool steel, they are maintenance-free, easily exchanged and moveable.
- The cutting screen is of special hardened steel. The optimised profile ensures very high efficiency.

## Evaluation

- Powerful protection against foreign bodies.
- Maintenance-free self-adjusting blades.
- Simple and clean disposal of the separated coarse material.
- Specially suitable as a compact unit in conjunction with the powerful VOGELSANG rotary lobe pumps.

Problems caused by coarse foreign bodies or long-fibre materials often arise in municipal sewage treatment plant technology. Blockages in pipework and damage to pumps are the usual malfunctions that must be prevented.

Our RotaCut™ satisfies these stringent demands. The inlet opens into a interceptor container. Heavy foreign bodies such as stones, pieces of concrete and metal fall into the collection container.

The medium is directed upwards and passed through a cutting screen. This cutting screen is kept clear by a rotating self-sharpening cutter. Fibrous matter and light foreign material are caught at the cutting edges of the holes in the screen and cut away by the rotating cutter.

The destructive foreign bodies are carried with the liquid flow into the downstream conveying system. After the end of the pumping cycle, heavy foreign bodies can easily and neatly be removed from the collection container by a manual push slide on the bottom of the container.

The ability to shred not only fibrous matter but also binder twine, pieces of wood, wire etc. proves the suitability of the unit for even the heaviest duties. The unit is suitable for both mobile and stationary use. The drive can optionally have a geared motor, variable speed motor or hydraulic motor.

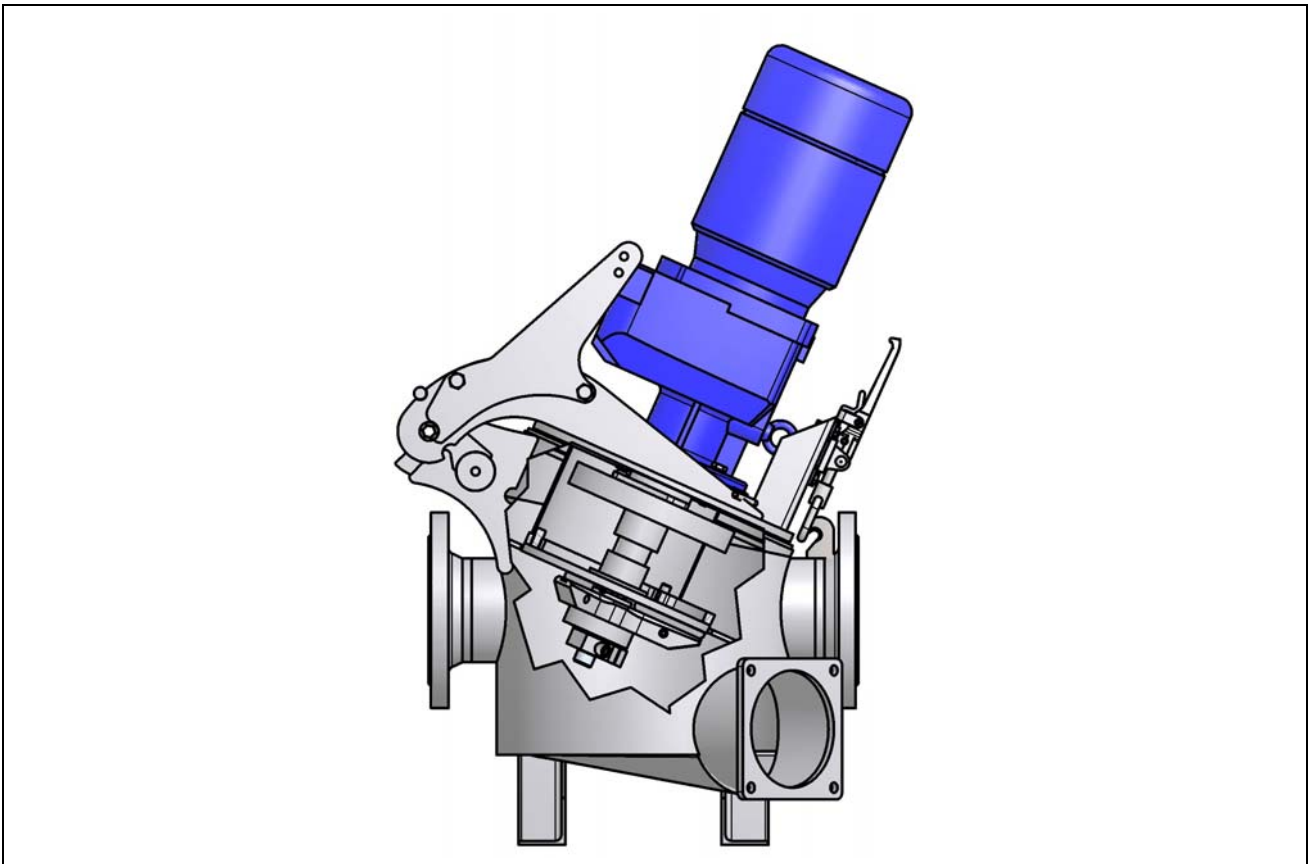


Fig. 2: Sectional drawing of the RotaCut™ Inline